

The **Haldex Water Pump Catalog**

Quality parts for vehicles at any life stage.

Caterpillar • Cummins • Detroit Diesel
Ford • General Motors • Mack • Mercedes
Navistar • Thermo-King/Isuzu • Volvo



MIDLAND[™]

Like-Nu[™]

WATER PUMPS

- Part Number to Page Number Index** 1
- Foreward**
 - Purpose of This Section 2
 - Design Flexibility 2
 - Warranty Information 2
 - Ordering Procedure 2
 - Important Notice 2
- Installation**
 - General Information 3
 - Installation Instructions..... 3
 - Replacement Checklist 3
 - Bull Gear Runout 3
- Caterpillar**
 - 1160, 3176 Engines..... 4
 - 3116/3126 Engines..... 4
 - 3208 Engines 5
 - 3306 Engines 5
 - 3406, C15, C18 Engines..... 6
 - C13 ACERT 7
 - Caterpillar Installation Kits 7
- Cummins**
 - B & C–Series Engines 8
 - ISC, ISL, QSC, QSL Engines..... 8
 - ISX, ISZ, ISM, QSM Engines 9
 - Big Cam III, IV, 88 Engines.....10
 - Small Cam FFC Engines..... 11
 - L-10, LTA10, M-11 Engines..... 12
 - N-Series Engines..... 13
 - D Series Engines..... 14
 - ISB Engines 14
 - Idlers 15
 - Cummins Installation Kits 16
- Detroit Diesel**
 - 8.2 Liter Engines 17
 - 53 Series Engines 17
 - 60 Series Engines 18
 - 71 Series Engines..... 19
 - 71 Series In-Line Engines..... 19

Important Notice

The products described within this literature, including without limitation, product features, specifications, designs, availability and pricing are subject to change by Haldex and its subsidiaries at any time without notice.

This document and other information from Haldex, its subsidiaries and authorized distributors provide product and/or system options for further investigation by users having technical expertise. It is important that you analyze all aspects of your application and review the information concerning the product or system, in the current literature or catalog. Due to the variety of operating conditions and applications for these products or systems, the user, through their own analysis and testing, is solely responsible for making the final selection of the products and systems and assuring that all performance, safety and warning requirements are met.

Table of Contents

Detroit Diesel (cont'd)	
92 Series Engines.....	20
DD13 and DD15 Series Engines.....	20
Detroit Diesel Installation Kits.....	21
Ford	
7.3L Engines.....	22
6.6 and 7.8 Liter Engines.....	22
Ford Powerstroke Engines.....	23
Ford Installation Kits.....	23
General Motors	
6 to 7 Liter Engines.....	24
Duramax 6.6 Liter Engines.....	24
Mack	
END 673, 675, 676 & E6 Engines.....	25
ENDT 675, 676, EM6 & EMS-6 Engines.....	26
E7 Engines.....	27
ACET Engines.....	28
Mack Installation Kits.....	28
Mercedes	28
Navistar	
DT360, 414, 415, 466 & DTA360 Engines.....	29
6.9, 7.3, 9.0 Liters & DT444E Engines.....	30
MAXXFORCE Diesel 9L, 10L Engines.....	30
Navistar Installation Kits.....	31
Thermo-King/Isuzu	
Isuzu 2.2 Liter and C-201 Engines.....	31
Isuzu: Yanmar 482, 486 Engines.....	32
Isuzu: 4BD2 Engines.....	32
Thermo-King/Isuzu Installation Kits.....	32
Carrier/Kubota/Bobcat	
Carrier/Kubota/Bobcat.....	33
Volvo	
D11, D12C, D13 and D16 Engines.....	33
Light/Medium Duty Engines	
Dodge.....	34
General Motors.....	34
Ford.....	34
Troubleshooting	
Broken Bearings or Shafts, Shaft Failure Due to Imbalance, Failure Prevention Rules.....	35

Part Number to Page Number Index

WATER PUMPS

Part No.	Page No.	Part No.	Page No.	Part No.	Page No.	Part No.	Page No.	Part No.	Page No.	Part No.	Page No.
1073KIT	16	RW1174	13	RW1407	5	RW2053	30	RW4226X	27	RW6306	30
1119KIT	21	RW1174X	13	RW1407X	5	RW2060	14	RW4227X	27	RW6306X	30
1160KIT	21	RW1175	15	RW1408	24	RW3000	10	RW4229X	27	RW6307	29
1162KIT	7	RW1175X	15	RW1409X	24	RW4001X	5	RW4786X	33	RW6310	23
1172KIT	16	RW1176	10	RW1438	34	RW4005X	4	RW5072K	16	RW6311	29
1174KIT	16	RW1176X	10	RW1463	24	RW4007X	5	RW5079K	16	RW6313	29
1176KIT	16	RW1177X	10	RW1559	24	RW4008X	5	RW5922K	7	RW6314	22
1178KIT	16	RW1178X	12	RW1652	34	RW4009X	4	RW6012	6	RW6352	31
1179KIT	16	RW1179X	13	RW1694	34	RW4011X	4	RW6012X	6	RW6355	28
1180KIT	21	RW1180X	17	RW1747	30	RW4015X	4	RW6014	6	RW852	24
1181KIT	21	RW1181	19	RW1747X	30	RW4016X	4	RW6014X	6	RW885	22
1184KIT	21	RW1181X	19	RW1757	30	RW4017X	4	RW6015	4		
1189KIT	21	RW1182	19	RW1757X	30	RW4018X	4	RW6016	4		
1190KIT	31	RW1182X	19	RW1760X	22	RW4019X	7	RW6028	20		
1194KIT	7	RW1183X	17	RW1761X	22	RW4054X	13	RW6063	13		
1351KIT	32	RW1184X	19	RW1762	22	RW4055X	13	RW6066	9		
1747KIT	31	RW1185X	19	RW1762X	22	RW4068X	9	RW6067	10		
1760KIT	23	RW1186X	19	RW1767	23	RW4069X	9	RW6068	12		
2001KIT	28	RW1187X	19	RW1767X	23	RW4070X	15	RW6069	9		
2005KIT	28	RW1188X	20	RW1768	23	RW4071X	15	RW6070	15		
4009KIT	7	RW1189X	20	RW1769	23	RW4076X	12	RW6071	15		
4076KIT	16	RW1190	29	RW1786	23	RW4077X	12	RW6073	13		
4122KIT	21	RW1190X	29	RW1799	33	RW4114X	30	RW6074	15		
6075KIT	16	RW1191	29	RW181747	34	RW4122PLK	21	RW6075	8		
RW1017	6	RW1191X	29	RW1907	32	RW4122PX	18	RW6075X	8		
RW1017X	6	RW1192X	19	RW1908	32	RW4122STK	21	RW6076	12		
RW1018X	6	RW1193X	19	RW1910	32	RW4122X	18	RW6077X	8		
RW1061	10	RW1194	6	RW1912	28	RW4123PX	18	RW6078	15		
RW1061X	10	RW1194	14	RW1917	23	RW4123X	18	RW6078X	15		
RW1067X	11	RW1194BPK	7	RW1923	22	RW4124X	18	RW6079	8		
RW1073VX	13	RW1194PX	6	RW1935	24	RW4125PX	18	RW6079X	8		
RW1073X	13	RW1195X	13	RW1939	34	RW4126X	18	RW6080	8		
RW1074X	15	RW1196X	19	RW2000X	25	RW4128X	18	RW6082	8		
RW1119X	17	RW1197X	19	RW2001	26	RW4128X	27	RW6083	8		
RW1120X	17	RW1198X	13	RW2001X	26	RW4209	26	RW6084	9		
RW1160X	18	RW1199	31	RW2002	26	RW4209X	26	RW6085	9		
RW1162	5	RW1199X	31	RW2002X	26	RW4210	26	RW6086	9		
RW1162X	5	RW1303X	29	RW2005	26	RW4210X	26	RW6114	30		
RW1170	10	RW1304X	29	RW2005X	26	RW4215X	25	RW6119	17		
RW1170X	10	RW1310X	29	RW2006	26	RW4217X	27	RW6122	18		
RW1171	11	RW1351	31	RW2006X	26	RW4219X	25	RW6123	18		
RW1171X	11	RW1351X	31	RW2008X	28	RW4220X	27	RW6124	18		
RW1172	10	RW1352X	31	RW2009X	28	RW4221X	27	RW6126	18		
RW1172X	10	RW1381	24	RW2010	33	RW4222X	27	RW6127	18		
RW1173	15	RW1406	24	RW2044	28	RW4223X	27	RW6128	18		
RW1173X	15	RW1406X	24	RW2052	30	RW4224X	27	RW6215	25		

PURPOSE OF THIS SECTION

This section is designed as a reference for Haldex NEW and REMAN air brake system components and accessories, sold under the Haldex and Midland product names. Products described include all pertinent information needed to replace an OEM installed component or to help design an original installation. If there is a service number for a given part, it is noted in the product number table.

DESIGN FLEXIBILITY

The products presented in this section are described by function and usage. Technical data and mounting configurations are also provided. Throughout this section, reference is made to numerous specific OEM applications. This section is not, however, intended to be a mutually exclusive listing of all part numbers and designs available. Should the need for a design not presented occur, contact your Haldex sales representative for additional information.

WARRANTY INFORMATION

Proper service and repair are important to the safe, reliable operation of any motor vehicle. To prevent personal injury and/or vehicle damage, careful and cautious service procedures recommended by the vehicle manufacturer should be followed by anyone servicing a motor vehicle. For details on warranty of Haldex air brake system components and accessories, refer to L20221 Aftermarket Warranty Policy. For warranty returns, use the Warranty Adjustment Form. This information may be obtained by visiting the Haldex.com website. Select North America/English in drop down box and then choose Product Information tab. In the drop down menu there you will see Warranty Information and Forms.

ORDERING PROCEDURE

Most customers can place electronic orders on the haldex.com website by obtaining a username and password or by using EDI. For additional information about electronic orders or to place an order by phone or fax, contact Customer Service in U.S. or Canada at numbers listed below:

U.S. Customer Service:

Phone: 800-643-2374
 Fax: 800-533-1941
 Mail: Haldex Brake Products Corporation
 Attn: Customer Service Department
 10930 N. Pomona Ave.
 Kansas City, MO 64153

Canada Customer Service:

Phone: 800-267-9247
 Fax: 519-621-3924
 Mail: Haldex Limited
 Canadian Distribution Centre
 Attn: Customer Service Department
 500 Pinebush Road, Unit 1
 Cambridge, Ontario N1T 0A5

IMPORTANT NOTICE

The data listed herein is correct to the best of Haldex's knowledge and belief, having been compiled from reliable and official sources of information. However, HALDEX CANNOT ASSUME ANY RESPONSIBILITY for possible error or misapplication of the product. Final determination of the suitability of the products for the use contemplated by the Buyer is the sole responsibility of the Buyer. Haldex shall have no responsibility in connection with this suitability. It is not our intention to imply that any of the components in this catalog in connection with an engine make or model are made by any engine manufacturer.

Copyright 2019
 Haldex Brake Products Corporation
 10930 N. Pomona Ave.
 Kansas City, MO 64153

All rights reserved.

Materials may only be reproduced with written permission of Haldex.

GENERAL INFORMATION

To avoid problems when installing your water pump, follow the simple, step-by-step instructions below. Handle your replacement water pump with care. If the unit is dropped, the internal ceramic seal may crack. NEVER STRIKE THE SHAFT, as this can damage the shaft or bearings. Always check the fan, pulleys, belts, and fan clutch. CAUTION: FOR YOUR PROTECTION, CLOSE HOOD WHEN REVVING ENGINE.

INSTALLATION INSTRUCTIONS

1. Always drain and flush cooling system if it shows signs of corrosion. Dirt particles in the coolant can cause seal failure. Clean the water pump impeller cavity and gasket surface. Also, check the radiator cap, thermostat, and the fan belt for wear or improper function. Replace if necessary.
2. Carefully install the replacement water pump. NEVER STRIKE THE SHAFT. Tighten all bolts in a staggered sequence.
3. Turn pump shaft by hand to check for free rotation. If the shaft does not turn freely then recheck your installation.
4. Check fan belt tension. Belt should deflect 1/2" to 3/4". If the belt is too tight the pump will be damaged.
5. Reconnect hoses and refill cooling system. Be sure there are no leaks.
6. Check the fan blade for bent blades, loose rivets, or any other damage. NEVER STRAIGHTEN A BENT BLADE. Replace the entire fan when defects are found.
7. Check the fan clutch (if installed) for loss of oil, looseness or wobble. If there is more than 1/4" of play at the blade edges the bearing is bad and the fan clutch needs to be replaced. A bad or misaligned clutch will damage a water pump.
8. Check fan clearances at blade tip between fan and shroud, and between fan and radiator.
9. Check motor mounts for wear or splitting. Check bolt tightness.
10. Start the engine and run until normal operating temperature is reached. Check for leaks and unusual vibration. NEVER STAND IN LINE WITH OR NEAR FAN WHEN REVVING THE ENGINE. THE HOOD SHOULD BE CLOSED WHEN REVVING THE ENGINE.

REPLACEMENT CHECKLIST

Leaks, loose fan belts or defective fan clutches cause cooling system problems more often than defective WATER PUMPS. Water pump failure can be caused by defective, crooked, or unbalanced fans; defective or unbalanced fan clutches; excessive (too-tight) fan belt tension; dirty cooling systems; insufficient clearance between the fan and the shroud or radiator; loose or broken motor mounts. MANY FUTURE PROBLEMS CAN BE AVOIDED IF EVERYTHING IS CHECKED OUT WHEN THE WATER PUMP IS REPLACED.

- Handle the replacement water pump with care.
- Always use a NEW gasket.
- All pumps are greased at the factory – do not add grease.
- Always drain and flush the cooling system.
- Check hoses, clamps, thermostat, and radiator cap. Replace if necessary.
- Check the fan belt. A glazed belt will slip at high RPM. Over tightening will cause damage to the water pump (stress on bearing, broken shaft, broken housing).
- The fan clutch should be free running and in proper balance.
- Check the fan for loose rivets, bent blades, cracked blades, wobble and shroud clearance.

BULL GEAR RUNOUT

When replacing the water pump on a Detroit 60 Series engine, always check for excessive Bull Gear Runout (wear). Excessive runout will lead to premature water pump failure. *Refer to Mfg. Specifications for acceptable Runout and Bull Gear Replacement Guidelines.

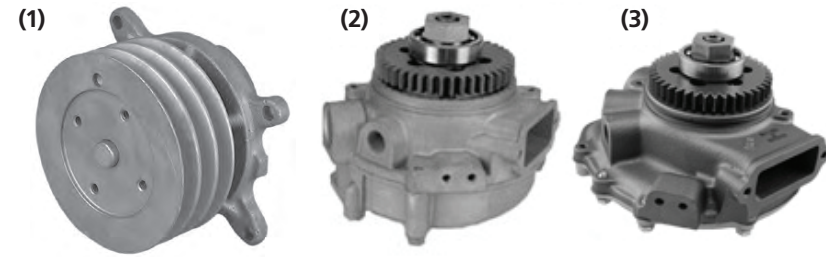
FAILURE TO REPLACE WORN BULL GEAR MAY RESULT IN:

- Excessive gear wear and chipped/broken teeth
- Broken casting near bearing journal
- Failed Bearings

WATER PUMPS

Caterpillar

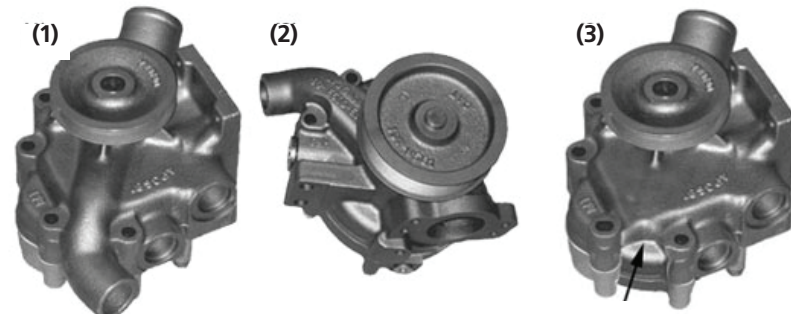
1160, 3176 Engines



Service Number	Product Description	MFG. No.	Casting No.	Notes	Approx. Weight	Pic. No.	Core Group	NEW Part No.
RW4005X	REMAN Water Pump for CAT 1160	9L7660	9N138	Pressed on Pulley	14.0 lbs.	1	WP1001	-
RW4009X	REMAN Water Pump for CAT 3176	1025844 (9Y4361)	103-0745	Aluminum Housing and Cover	15.0 lbs.	2	WP1054	-
RW4011X	REMAN Water Pump for CAT 3176B, C-10, C-12	1006944 OR0705 OR3709 OR8767	105-4213 105-4214	Cast Iron Housing and Aluminum Cover	20.0 lbs.	3	WP1063	-

Installation Kits listed later in this section.

3116/3126 Engines



Casting may have additional Port/Factory Plugged

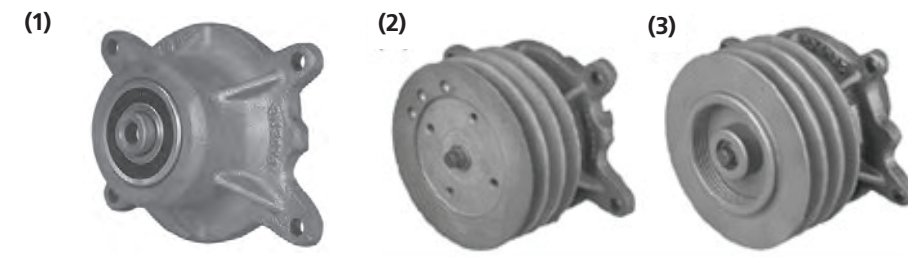
Service Number	Product Description	MFG. No.	Casting No.	Notes	Approx. Weight	Pic. No.	Core Group	NEW Part No.
RW4015X	REMAN Water Pump for CAT 3116/3126	4P3682, OR1011, OR1013, 1208402, 1593141	4P3682, 4P3681 (Body) 7W3780 (Pulley)	3.75" Pulley Threaded Ports	15.8 lbs.	1	WP1066	-
RW4016X	REMAN Water Pump for CAT 3116/3126	OR1015, 4P3683, 9Y5249	4P3681 (Body) 7C7890 (Pulley)	4.37" Pulley Threaded Ports	14.5 lbs.	1	WP1066	-
RW4017X	REMAN Water Pump for CAT 3116/3126	227-4299, 227-4301, 10R5407	203-6093 Housing 226-6051 Backing Plate 197-9581 Pulley	Multi-Groove Pulley Pressed on Gear	15.0 lbs.	2	WP1067	-
RW4018X	REMAN Water Pump for CAT 3116/3126	-	128-5121	3.75" Pulley Threaded Ports	14.5 lbs.	3	WP1066	-
RW6015	NEW Water Pump for CAT 3116/3126	4P3682	4P3681, 187-8957-00, 7W3780	3.75" Pulley Threaded Ports	19.6 lbs.	1	-	-
RW6016	NEW Water Pump for CAT 3116/3126	OR3007, 4W0253, 9V4879, OR1013, 4P3683	4P3681, 187-8957-00, 7C7890 Pulley	4.37" Pulley Threaded Ports	14.5 lbs.	1	-	-

Installation Kits listed later in this section.

Caterpillar

WATER PUMPS

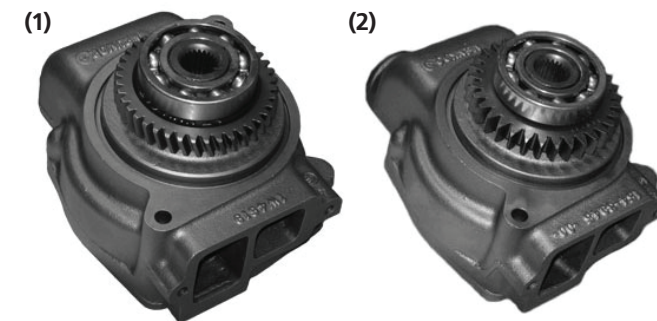
3208 Engines



Service Number	Product Description	MFG. No.	Casting No.	Notes	Approx. Weight	Pic. No.	Core Group	NEW Part No.
RW1162	NEW Water Pump for CAT 3208	2W1225	9N3076	Bolt on 3-Belt Pulley	16.0 lbs.	2	-	-
RW1162X	REMAN Water Pump for CAT 3208	2W1225	9N3076	Bolt on 3-Belt Pulley	16.0 lbs.	2	WP1001	RW1162
RW1407	NEW Water Pump for CAT 3208	2W1227	9N3076	Threaded Pulley (for fan clutch)	17.5 lbs.	3	-	-
RW1407X	REMAN Water Pump for CAT 3208	2W1227	9N3076	Threaded Pulley (for fan clutch)	17.5 lbs.	3	WP1001	RW1407
RW4001X	REMAN Water Pump for CAT 3208	2W1225 (9N6147)	9N3076	No Pulley	10.0 lbs.	1	WP1042	-

Installation Kits listed later in this section.

3306 Engines



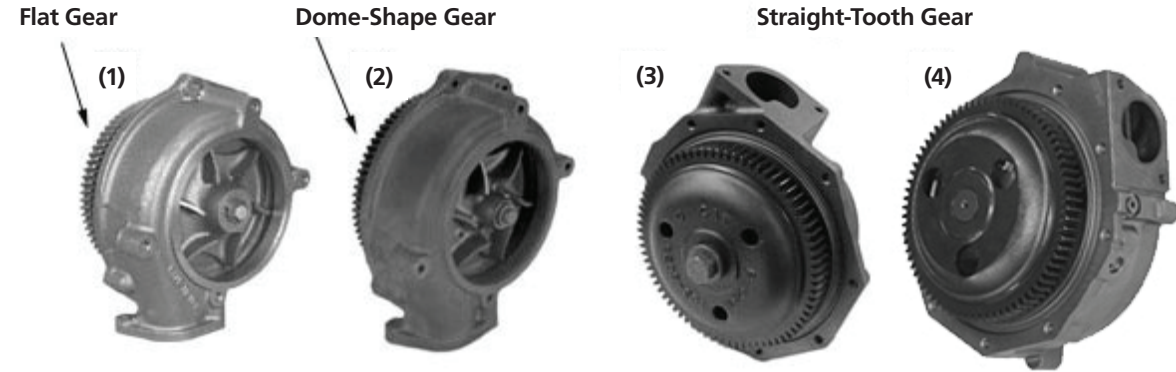
Service Number	Product Description	MFG. No.	Casting No.	Notes	Approx. Weight	Pic. No.	Core Group	NEW Part No.
RW4007X	REMAN Water Pump for CAT 3306	6N8413	7N196, 1W9619, 172-7829, 1543945	Angled Teeth	30.0 lbs.	1	WP1028	-
RW4008X	REMAN Water Pump for CAT 3208	OR9493, OR8532, 4P9862	7N196, 1W9619, 172-7829, 1543945	Straight Teeth	29.0 lbs.	2	WP1028	-

Installation Kits listed later in this section.

WATER PUMPS

Caterpillar

3406, C15, C18 Engines

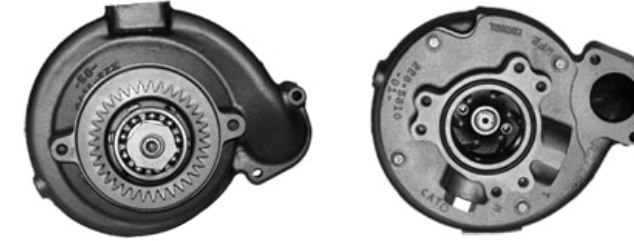


Service Number	Product Description	MFG. No.	Casting No.	Notes	Approx. Weight	Pic. No.	Core Group	NEW Part No.
RW1017	NEW Water Pump for CAT C15, C18	10R2776, 10R3326	244-3237	Pressed on Straight Tooth Gear, Press on Impeller with 8" Opening	40.0 lbs.	4	-	-
RW1017X	REMAN Water Pump for CAT C15, C18	10R2776, 10R3326	244-3237	Pressed on Straight Tooth Gear, Press on Impeller with 8" Opening	40.0 lbs.	4	WP1055	RW1017
RW1018X	REMAN Water Pump for CAT C15, C18 ACERT	10R2776, 10R3326	244-3237	Pressed on Straight Tooth Gear with Extra Port for Oil Line, Press on Impeller with 8" opening R & R Only	40.0 lbs.	4	WP1056	-
RW1194	NEW Water Pump for CAT 3406B/C	7W7019, 7C4957, OR8217	9N5034	Gear Driven, Flat Gear	40.0 lbs.	1	-	-
RW1194PX	Premium REMAN Water Pump for CAT 3406B/C	7W7019, 7C4957, OR8217	9N5034	Gear Driven, Flat Gear, Premium Oil & Water Seals (Includes basic O-rings/Gaskets for the Pump only)	40.0 lbs.	1	WP1002	RW1194
RW6012	NEW Water Pump for CAT 3406B/C/E	613890, OR4120, OR8330, OR8218, 10R0483	100-7479	Gear Driven, Dome-Shape Gear (Includes basic O-rings/Gaskets for the Pump only)	39.5 lbs.	2	-	-
RW6012X	REMAN Water Pump for CAT 3406B/C/E	613890, OR4120, OR8330, OR8218, 10R0483	100-7479	Gear Driven, Dome-Shape Gear (Includes basic O-rings/Gaskets for the Pump only)	39.5 lbs.	2	WP1029	RW6012
RW6014	NEW Water Pump for CAT C15	10R0484	-	Bolt on Straight Tooth Gear and Impeller with 5.9" Opening (Includes basic O-rings/Gaskets for the Pump only)	40.0 lbs.	3	-	-
RW6014X	REMAN Water Pump for CAT C15	10R0484	-	Bolt on Straight Tooth Gear and Impeller with 5.9" Opening (Includes basic O-rings/Gaskets for the Pump only)	40.0 lbs.	3	WP1068	RW6014

Caterpillar

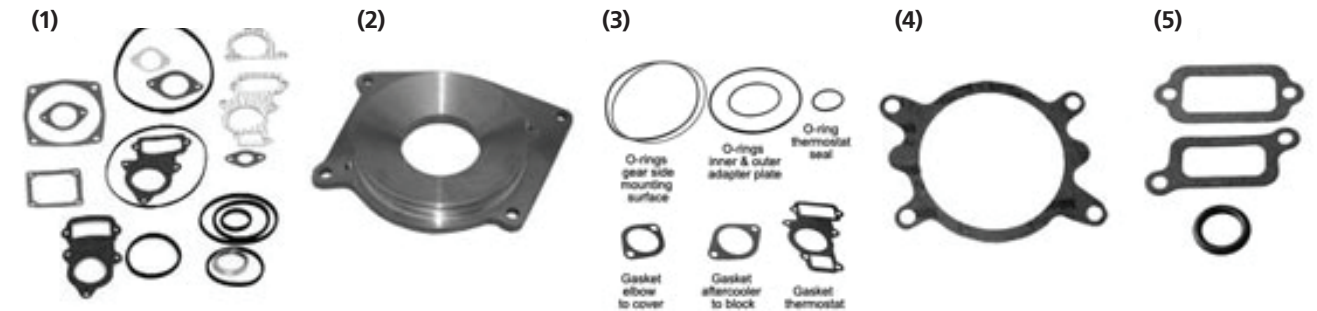
WATER PUMPS

C13 ACERT



Service Number	Product Description	MFG. No.	Casting No.	Notes	Approx. Weight	Pic. No.	Core Group	New Part No.
RW4019X	REMAN Water Pump for CAT C13 ACERT	10R2129	223-9145	-	30.0 lbs.	-	WP1083	-

Caterpillar Installation Kits

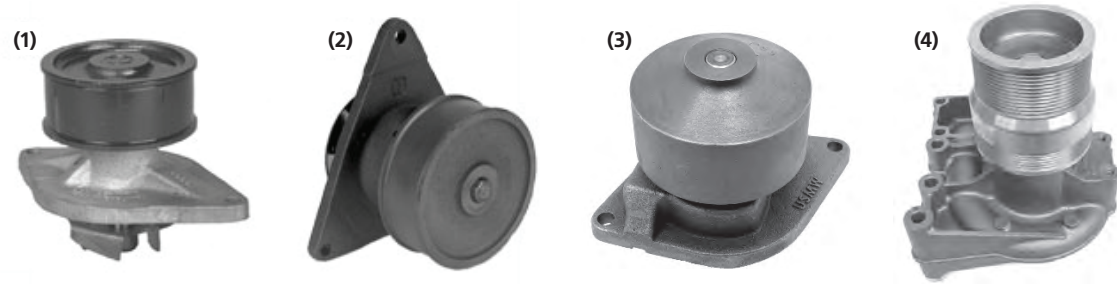


Service Number	Product Description	Application	Notes	Pic. No.
1162KIT	Water Pump Installation Kit for CAT 3208 Engine	RW1162, RW1162X, RW1407X, RW4001X	-	4
1194KIT	Water Pump Installation Kit for CAT 3406 B/C Engines	RW1194, RW1194PX, RW6012X, RW6014X	-	3
4009KIT	Water Pump Installation Kit for CAT 3176 Engine	RW6009, RW4009X	-	5
RW1194BPK	Water Pump Back Plate Kit for CAT 3406	RW1194X, RW1194PX	-	2
RW5922K	Premium Water Pump Installation Kit for CAT 3406 B/C Engines	RW1194, RW1194PX, RW6012X, RW6014X	Contains additional gaskets for water line plumbing.	1

WATER PUMPS

Cummins

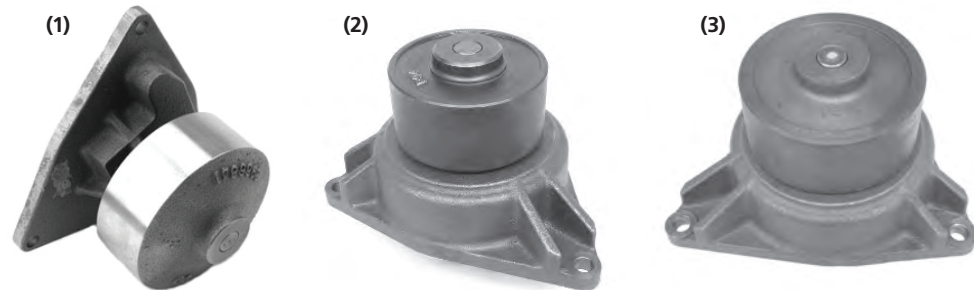
B & C-Series Engines



Service Number	Product Description	MFG. No.	Casting No.	Notes	Approx. Weight	Pic. No.	Core Group	New Part No.
RW6075	NEW Water Pump for CUM B-Series	3802358, 3802004	393132	4 & 6 Cylinder	7.0 lbs.	1	-	-
RW6075X	REMAN Water Pump for CUM B-Series	3802358, 3802004	393132	4 & 6 Cylinder-	7.0 lbs.	1	WP1047	RW6075
RW6077X	REMAN Water Pump for CUM C-Series	3802081	3903357	Diesel Engine	7.0 lbs.	2	WP1043	-
RW6080	NEW Water Pump for CUM B-Series	2881688, 2881688NX, 5262785, 4983391	-	-	7.0 lbs.	3	-	-

Installation Kits listed later in this section.

ISC, ISL, QSC, QSL Engines



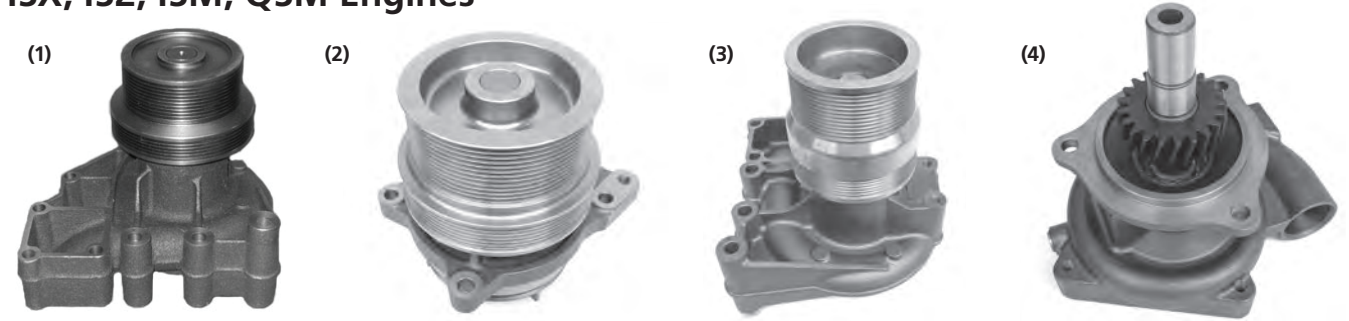
Service Number	Product Description	MFG. No.	Casting No.	Notes	Approx. Weight	Pic. No.	Core Group	New Part No.
RW6079	NEW Water Pump for CUM ISC & ISL	3804927, 3940052, 4089647 (NX)	2370-10C	8.3 & 8.9 Liter	7.2 lbs.	1	-	-
RW6079X	REMAN Water Pump for CUM ISC & ISL	3804927, 3940052, 4089647 (NX)	2370-10C	8.3 & 8.9 Liter	7.2 lbs.	1	WP1050	RW6079
RW6082	NEW Water Pump for CUM ISC, ISL, QSC & QSL	4376358, 4309417, 4089952, 5291443	-	-	9.5 lbs.	2	WP1043	-
RW6083	NEW Water Pump for CUM ISC, ISL, QSC & QSL	4376357, 4309344, 2882044, 5436204, 2882044NX	-	8.3 Liter	9.8 lbs.	3	-	-

Installation Kits listed later in this section.

Cummins

WATER PUMPS

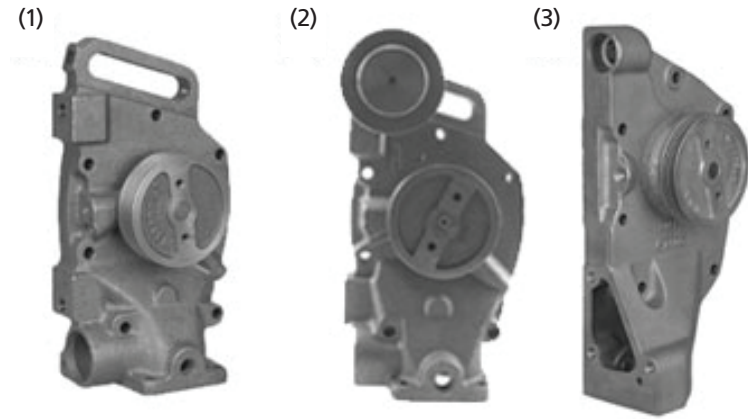
ISX, ISZ, ISM, QSM Engines



Service Number	Product Description	MFG. No.	Casting No.	Notes	Approx. Weight	Pic. No.	Core Group	New Part No.
RW4068X	REMAN Water Pump for CUM ISX	4089910	2201-10C	12 Groove Pulley	36.9 lbs.	1	WP1007	RW6066
RW4069X	REMAN Water Pump for CUM ISX	4026702	2201-10C	10 Groove Pulley	36.9 lbs.	1	WP1007	RW6069
RW6066	NEW Water Pump for CUM ISX	4089910	2201-10C	12 Groove Pulley	38.0 lbs.	1	-	-
RW6069	NEW Water Pump for CUM ISX	4026702	2201-10C	10 Groove Pulley	38.0 lbs.	1	-	-
RW6084	NEW Water Pump for CUM ISX & ISZ	3684450, 3683651	-	12 Groove Pulley	18.4 lbs.	2	-	-
RW6085	NEW Water Pump for CUM ISX	4089909, 4920464, 3101331, 3681580	-	12 Groove Pulley	18.4 lbs.	3	-	-
RW6086	NEW Water Pump for CUM ISM & QSM	4955709, 4089455, 4972851	-	-	16.8 lbs.	4	-	-

Installation Kits listed later in this section.

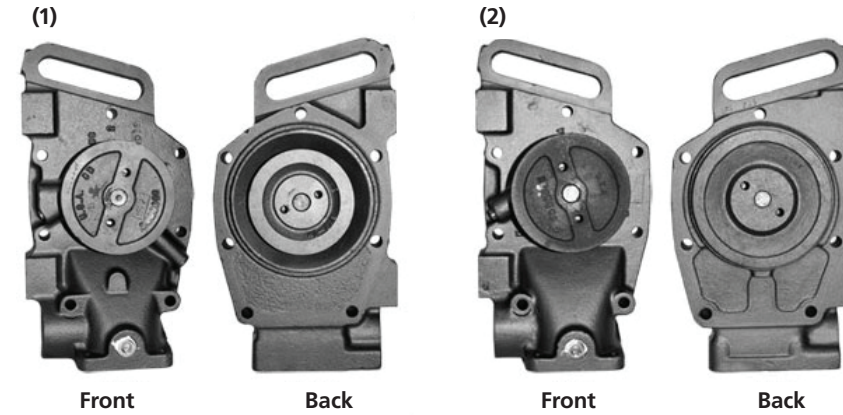
Big Cam III, IV, 88 Engines



Service Number	Product Description	MFG. No.	Casting No.	Notes	Approx. Weight	Pic. No.	Core Group	NEW Part No.
RW1061	NEW Water Pump for CUM Big Cam III	3004923	218274	Multi-Groove Pulley 4" Impeller Vented; NTC300, 350, 400;, Formula 300, 350, 400,475	26.0 lbs.	1	-	-
RW1061X	REMAN Water Pump for CUM Big Cam III	3004923	218274	Multi-Groove Pulley 4" Impeller Vented; NTC300, 350, 400;, Formula 300, 350, 400,475	26.0 lbs.	1	WP1003	RW1061
RW1170	NEW Water Pump for CUM Big Cam III, IV	3022474 3801788	218274	4.675 Diameter Multi-Groove Pulley; 4 1/2" Impeller Vented; NTC290, 350, 400; Formula 290, 350	26.0 lbs.	1	-	-
RW1170X	REMAN Water Pump for CUM Big Cam III, IV	3022474 3801788	218274	4.675 Diameter Multi-Groove Pulley ; 4 1/2" Impeller Vented; NTC290, 350, 400; Formula 290, 350	26.0 lbs.	1	WP1003	RW1170
RW1172	NEW Water Pump for CUM Big Cam IV	3801708	3045163	4.275 Diameter Multi-Groove Pulley; 4 1/2" Impeller Vented; 300, 350, 400; Fleet 300; NTC-Formula 300, 350, 400; NTC 475	27.0 lbs.	1	-	-
RW1172X	REMAN Water Pump for CUM Big Cam IV	3801708	3045163	4.275 Diameter Multi-Groove Pulley; 4 1/2" Impeller Vented; 300, 350, 400; Fleet 300; NTC-Formula 300, 350, 400; NTC 475	27.0 lbs.	1	WP1003	RW1172
RW1176	NEW Water Pump for CUM 88 Big Cam IV	3803138 3803030	3062899	Multi-Groove Pulley; NTC 300, 315, 350, 365, 400	23.5 lbs.	3	-	-
RW1176X	NEW Water Pump for CUM 88 Big Cam IV	3803138 3803030	3062899	Multi-Groove Pulley; NTC 300, 315, 350, 365, 400	23.5 lbs.	3	WP1031	RW1176
RW1177X	REMAN Water Pump for CUM Big Cam III (GMC)	3027174	3045163	4" Impeller, Multi-Groove Pulley; NTC 290, 350 400	28.0 lbs.	1	WP1003	RW6067
RW3000	NEW Water Pump for CUM Big Cam	3045943	3045163	Multi-Groove Pulley and Idler	30.0 lbs.	2	-	-
RW6067	NEW Water Pump for CUM Big Cam III (GMC)	3027174	3045163	4" Impeller, Multi-Groove Pulley; NTC 290, 350 400	28.0 lbs.	1	-	-

Installation Kits listed later in this section.

Small Cam FFC Engines



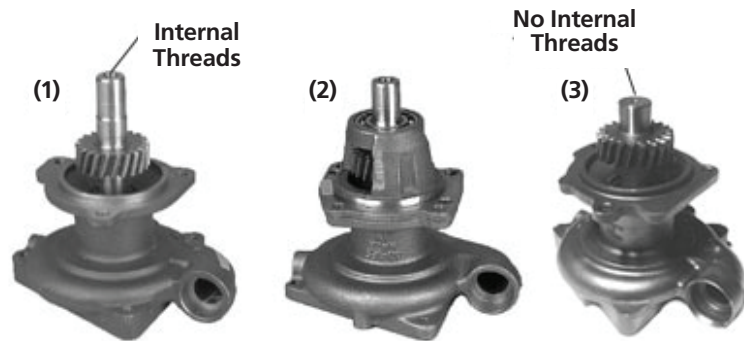
Service Number	Product Description	MFG. No.	Casting No.	Notes	Approx. Weight	Pic. No.	Core Group	New Part No.
RW1067X	REMAN Water Pump for CUM Small Cam FFC	3024671	-	Multi-Groove Pulley 4" Impeller Non-Vented; NTC230	26.4 lbs.	1	WP1003	-
RW1171	NEW Water Pump for CUM Small Cam FFC	3000886 3801784 AR45090	219040 210238	7-Hole Mount; 2-Groove Pulley; 5 1/4" Impeller Non-Vented; NTC270-CT, 290, 290R, 350, 355; NT855-C280, -C310, -C360; NT310	28.0 lbs.	2	-	-
RW1171X	NEW Water Pump for CUM Small Cam FFC	3000886 3801784 AR45090	219040 210238	7-Hole Mount; 2-Groove Pulley; 5 1/4" Impeller Non-Vented; NTC270-CT, 290, 290R, 350, 355; NT855-C280, -C310, -C360; NT310	28.0 lbs.	2	WP1003	RW1171

Installation Kits listed later in this section.

WATER PUMPS

Cummins

L-10, LTA10, M-11 Engines



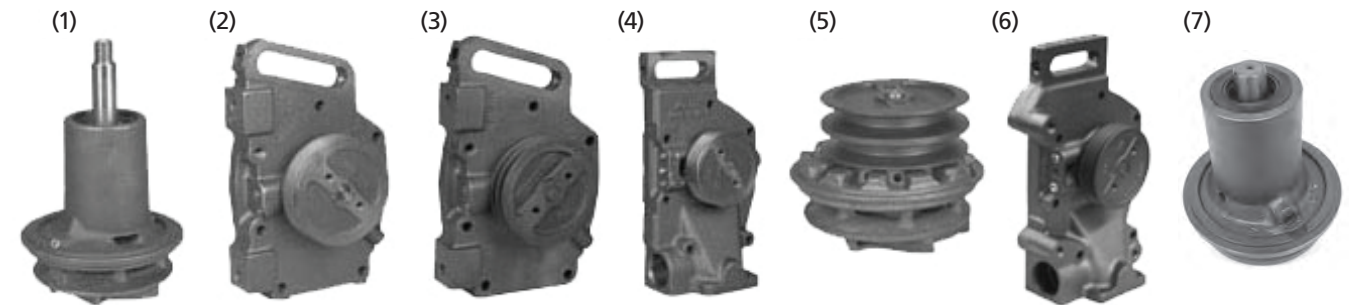
Service Number	Product Description	MFG. No.	Casting No.	Notes	Approx. Weight	Pic. No.	Core Group	New Part No.
RW1178X	REMAN Water Pump for CUM LTA10 and M-11 Before 1991	3803402 3801840	3039182	4-Hole Mount; LTA10-240, 270, 300	21.0 lbs.	2	WP1034	RW6068
RW4076X	REMAN Water Pump for CUM L-10 and M-11 After 1991	3803403	3882615	3-Hole Mount; Needle Bearing Kit not supplied; L10-310E, L10-330E	18.0 lbs.	1	WP1034	RW6076
RW4077X	REMAN Water Pump for CUM M-11 ISM Short Shaft	3800745	-	3-Hole Mount; Short Shaft	18.0 lbs.	3	WP1065	-
RW6068	NEW Water Pump for CUM LTA10 and M-11 Before 1991	3803402 3801840	3039182	4-Hole Mount; LTA10-240, 270, 300	21.0 lbs.	2	-	-
RW6076	NEW Water Pump for CUM L-10 and M-11 After 1991	3803403	3882615	3-Hole Mount; Needle Bearing Kit not supplied; L10-310E, L10-330E	18.0 lbs.	1	-	-

Installation Kits listed later in this section.

Cummins

WATER PUMPS

N-Series Engines



Service Number	Product Description	MFG. No.	Casting No.	Notes	Approx. Weight	Pic. No.	Core Group	New Part No.
RW1073VX	REMAN Water Pump for CUM N-14 Volvo	3804826RX	3084024	Multi-Groove Pulley; N14-Volvo	27.8 lbs.	6	WP1045	-
RW1073X	REMAN Water Pump for CUM N-14	3803605 3803361	3069644 3076523	Multi-Groove Pulley; N14-10, 330, 350, 370, 410	26.0 lbs.	4	WP1045	RW6073
RW1174	NEW Water Pump for CUM NH, NT & NTC Non-FFC	AR4284	196845	With Pulley, Pancake 5 1/2" Bore, Short Shaft; NH230, NH250, NHC270, NHE225 Diesel, NT280, NT300, NT310, NT335, NT380, NTA380, NTC280, NTC335, NTC350 Diesel	13.0 lbs.	5	-	-
RW1174X	REMAN Water Pump for CUM NH, NT & NTC Non-FFC	AR4284	196845	With Pulley, Pancake 5 1/2" Bore, Short Shaft; NH230, NH250, NHC270, NHE225 Diesel, NT280, NT300, NT310, NT335, NT380, NTA380, NTC280, NTC335, NTC350 Diesel	13.0 lbs.	5	WP1004	RW1174
RW1179X	REMAN Water Pump for CUM NTC230 Short Suitcase	AR45073 3022471	3002520	2-Groove Pulley, 4" Impeller; NTC Formula 230	23.0 lbs.	3	WP1005	-
RW1195X	REMAN Water Pump for CUM NTC230 Short Suitcase	3027882	3002520	Multi-Groove Pulley, 4" Impeller; NTC Formula 230	24.3 lbs.	2	WP1005	-
RW1198X	REMAN Water Pump for CUM NH, NT & NTC	AR4283	196845	Without Pulley, Pancake 5 1/2" Bore, Short Shaft; NH230, NH250, NHC270, NHE225 Diesel, NT280, NT300, NT310, NT335, NT380, NTA380, NTC280, NTC335, NTC350 Diesel	14.0 lbs.	5	WP1004	-
RW4054X	REMAN Water Pump for CUM NT & NTC	AR4547	196830	5 1/2" Bore, 1 3/4" Shaft (from bearing surface to step on shaft just below threads); NT & NTC Engines	18.0 lbs.	1	WP1044	-
RW4055X	REMAN Water Pump for CUM NT & NTC REPAIR & RETURN ONLY	AR4548	196830	5 1/2" Bore, 2 1/4" Shaft (from bearing surface to step on shaft just below threads); NT & NTC Engines	18.0 lbs.	1	WP1044	-
RW6063	NEW Water Pump for CUM N	AR51360	-	N Series	18.0 lbs.	7	-	-
RW6073	NEW Water Pump for CUM N-14	3803605 3803361	3069644 3076523	Multi-Groove Pulley; N14-10, 330, 350, 370, 410	26.0 lbs.	4	-	-

Installation Kits listed later in this section.

WATER PUMPS

Cummins

D-Series Engines



Service Number	Product Description	MFG. No.	Casting No.	Notes	Approx. Weight	Pic. No.	Core Group	New Part No.
RW1994	NEW Water Pump for CUM D-Series	3800894	-	7 Vane Cast Iron Impeller, 5.9 & 6.7 Liter	7.0 lbs.	-	-	-

Installation Kits listed later in this section.

ISB Engines



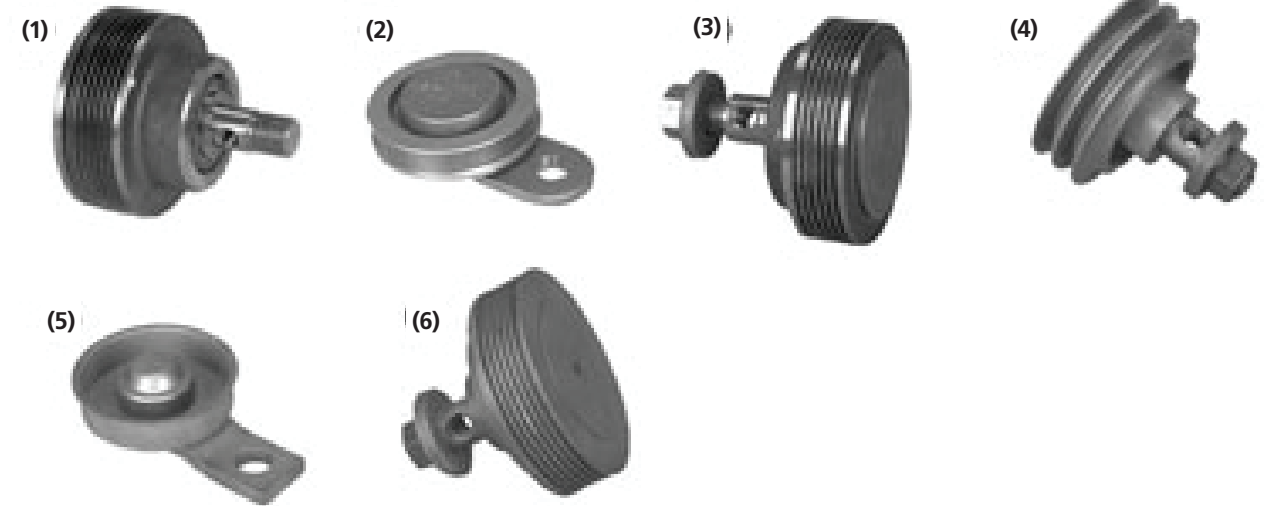
Service Number	Product Description	MFG. No.	Casting No.	Notes	Approx. Weight	Pic. No.	Core Group	New Part No.
RW2060	NEW Water Pump for CUM ISB	4955394NX	-	7 Vane Cast Iron Impeller	6.7 lbs.	-	-	-

Installation Kits listed later in this section.

Cummins

WATER PUMPS

Idlers



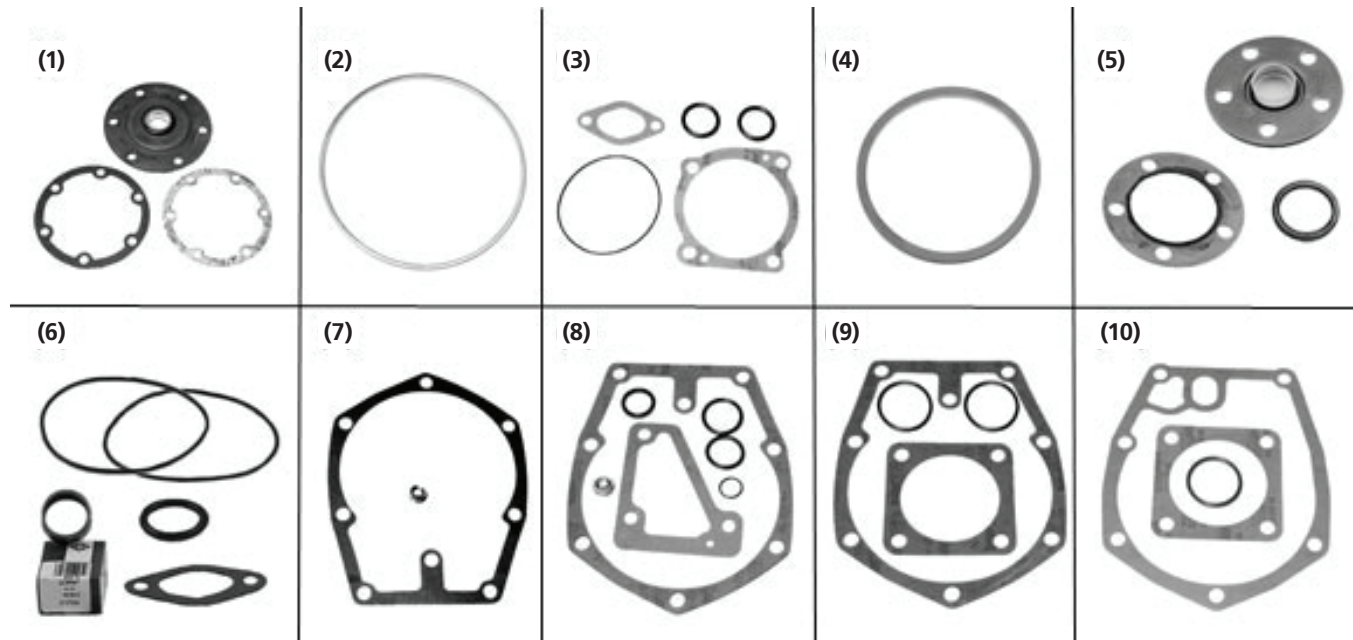
Service Number	Product Description	MFG. No.	Casting No.	Notes	Approx. Weight	Pic. No.	Core Group	New Part No.
RW1074X	REMAN Idler for CUM N-14	3066330	-	Multi-Groove Pulley	4.0 lbs.	3	WP1052	RW6074
RW1173	NEW Idler for CUM Big Cam	3064919, AR45189	215397	Multi-Groove Pulley	4.0 lbs.	6	-	-
RW1173X	REMAN Idler for CUM Big Cam	3064919, AR45189	215397	Multi-Groove Pulley	4.0 lbs.	6	WP1006	RW1173
RW1175	NEW Idler for CUM Small Cam	3064920, AR8851	208118	2-Belt Pulley	4.0 lbs.	4	-	-
RW1175X	REMAN Idler for CUM Small Cam	3064920, AR8851	208118	2-Belt Pulley	4.0 lbs.	4	WP1006	RW1175
RW4070X	REMAN Idler for CUM 88 Big Cam IV	3065000	-	Stamped Pulley	2.7 lbs.	5	WP1038	RW6070
RW4071X	REMAN Idler for CUM 88 Big Cam IV	3062931, 3053537	3064201	Multi-Groove Pulley	3.3 lbs.	2	WP1038	RW6071
RW6070	NEW Idler for CUM 88 Big Cam IV	3065000	-	Stamped Pulley	2.7 lbs.	5	-	-
RW6071	NEW Idler for CUM 88 Big Cam IV	3062931, 3053537	3064201	Multi-Groove Pulley	3.3 lbs.	2	-	-
RW6074	NEW Idler for CUM N-14	3066330	-	Multi-Groove Pulley	4.0 lbs.	3	-	-
RW6078	NEW Idler for CUM L-10	3062602	3060884	-	5.9 lbs.	1	-	-
RW6078X	REMAN Idler for CUM L-10	3062602	3060884	-	5.9 lbs.	1	WP1032	RW6078

Installation Kits listed later in this section.

WATER PUMPS

Cummins

Cummins Installation Kits

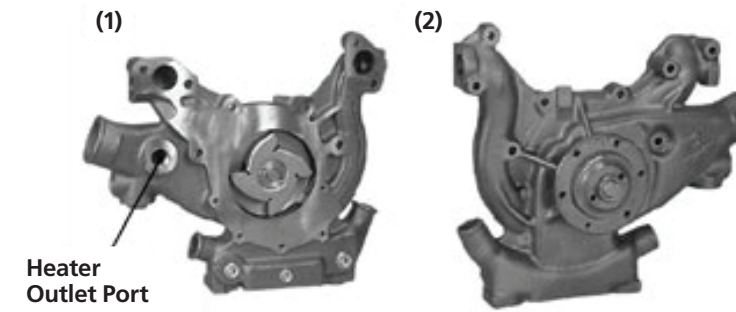


Service Number	Product Description	Application	Pic. No.
1073KIT	Water Pump Gasket Kit for CUM N-14 Engines	RW6073, RW1073X	10
1172KIT	Water Pump Gasket Kit for CUM Small Cam & Big Cam III, IV Engines	RW1170, RW1170X, RW1171, RW1171X, RW1172, RW1172X, RW1176, RW1176X, RW1177, RW3000, RW6061	9
1174KIT	Water Pump Gasket Kit for CUM NH, NT, & NTC Engines	RW1174, RW1174X, RW1198X, RW4054X, RW4055X	2
1176KIT	Water Pump Installation Kit for CUM 88 Big Cam IV Engine	RW1176X	8
1178KIT	Water Pump Gasket Kit for CUM L-10 Engine	RW6068, RW1178X	3
1179KIT	Water Pump Gasket Kit for CUM NTC230 Engine	RW1179, RW1179X, RW1195, RW1195X	7
4076KIT	Water Pump Gasket Kit for CUM L-10 Engine	RW6076, RW4076X, RW4077X	6
6075KIT	Water Pump Installation Kit for CUM B Series Engine	RW6075X	4
RW5072K	Water Pump Front Gear Cover Seal Kit for CUM LTA10 Series before 1991	RW1178X, RW6068, RW6076	1
RW5079K	Water Pump Front Gear Cover Kit for CUM L-10 Engines	RW4076X, RW4077X	5

DETROIT DIESEL

WATER PUMPS

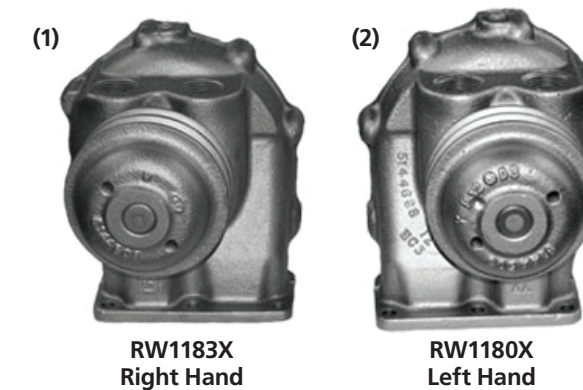
8.2 Liter Engines



Service Number	Product Description	MFG. No.	Casting No.	Notes	Approx. Weight	Pic. No.	Core Group	New Part No.
RW1119X	REMAN Water Pump for DD 8.2 Liter	8928672, 8926904	8828804	No Pulley, Heater Outlet	31.0 lbs.	1	WP1030	RW6119
RW1120X	REMAN Water Pump DD 8.2 Liter	8922302	8820383, 8924657	No Pulley, No Heater Outlet	28.6 lbs.	2	WP1053	
RW6119	NEW Water Pump for DD 8.2 Liter	8928672, 8926904	8828804	No Pulley, Heater Outlet	31.0 lbs.	1	-	

Installation Kits listed later in this section.

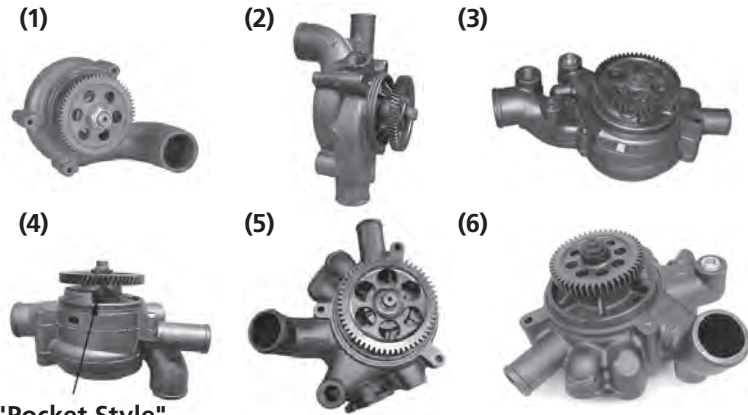
53 Series Engines



Service Number	Product Description	MFG. No.	Casting No.	Notes	Approx. Weight	Pic. No.	Core Group	New Part No.
RW1180X	REMAN Water Pump for DD 53 Series	5144685	5144688	Left Hand, 2-Belt Pulley	13.3 lbs.	1	WP1008	-
RW1183X	REMAN Water Pump for DD 53 Series	5144686	5144689	Right Hand, 2-Belt Pulley	13.3 lbs.	2	WP1008	-

Installation Kits listed later in this section.

60 Series Engines



Notes:

1) When replacing the water pump on a DD 60 Series engine, always check for excessive Bull Gear Runout (wear). Excessive runout will lead to premature water pump failure. Refer to Mfg. Specs for acceptable Runout and Bull Gear Replacement Guidelines.

Failure to Replace Worn Bull Gear may result in:

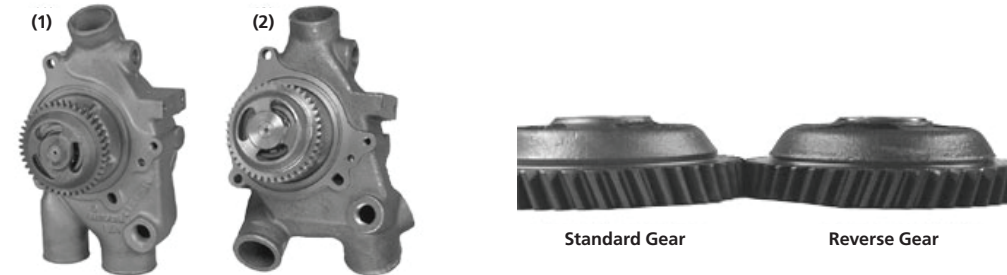
- Excessive gear wear and chipped/broken teeth
- Broken casting near bearing journal
- Failed bearings

"Pocket Style" Engine Side View

Service Number	Product Description	MFG. No.	Casting No.	Notes	Approx. Weight	Pic. No.	Core Group	New Part No.
RW1160X	REMAN Water Pump for DD 60 Series prior to 12/90	23509067 (23505019)	23505018	Premium Seal, Gear Driven	22.8 lbs.	1	WP1039	-
RW4122PX	Premium REMAN Water Pump for DD 60 Series after 12/90	23505895 23520136 R3518216	23505894	Premium Seal, Metal Back Plate/ Seal, Gear Driven, Standard Flow Capacity, 7-Vane Impeller	31.3 lbs.	2	WP1048	-
RW4122X	REMAN Water Pump for DD 60 Series after 12/90	23505895 23520136 R3518216	23505894	Premium Seal, Gear Driven, Standard Flow Capacity, 7-Vane Impeller	30.7 lbs.	2	WP1048	RW6122
RW 4123PX	Premium REMAN Water Pump for DD 60 Series	23522707	23512027	Premium Seal, Metal Back Plate/ Seal, High Flow Capacity, 6-Vane Impeller	30.8 lbs.	2	WP1048	-
RW4123X	REMAN Water Pump for DD 60 Series	23522707	23512027	Premium Seal, Plastic Back Plate, High Flow Capacity, 6-Vane Impeller, recommended by OE manufacturer	30.8 lbs.	2	WP1048	RW6123
RW4124X	REMAN Water Pump for DD 60 Series with EGR (Exhaust Gas Recirculation)	23531257	23530427	Stamped Steel Impeller, 61 Tooth Drive Gear	34.0 lbs.	3	WP1021	RW6124
RW4125PX	REMAN Water Pump for DD 60 Series "Pocket Style"	-	23522721	High Flow Capacity, 6-Vane Impeller, "Pocket Style"	31.0 lbs.	2, 4	WP1048	RW6127
RW4126X	REMAN Water Pump for Detroit Diesel 60 Series Engine with EGR	23531258 23532543	-	With EGR Port, Gear Size is 5 1/2"	36.0 lbs.	5	WP1082	RW6126
RW4128X	REMAN Water Pump for DD 60 Series 14.0L	23538636 R23538636	-	49 Tooth Gear	34.0 lbs.	6	WP1021	RW6128
RW6122	REMAN Water Pump for DD 60 Series after 12/90	23505895 23520136 R3518216	23505894	Premium Seal, Gear Driven, Standard Flow Capacity, 7-Vane Impeller	30.7 lbs.	2	-	-
RW6123	NEW Water Pump for Detroit Series 60 Engine	23522707	23512027	Premium Seal, Plastic Back Plate, High Flow Capacity, 6 Vane Impeller	29.5 lbs.	2	-	-
RW6124	NEW Water Pump for DD 60 Series with EGR	23531257	23530427	Stamped Steel Impeller, 61 Tooth Drive Gear	34.0 lbs.	3	-	-
RW6126	NEW Water Pump for DD 60 Series with EGR	23531258 23532543	-	With EGR Port, Gear Size is 5 1/2"	36.0 lbs.	5	-	-
RW6127	NEW Water Pump for DD 60 Series "Pocket Style"	-	23522721	High Flow Capacity 6-Vane Impeller "Pocket Style"	31.0 lbs.	2, 4	-	-
RW6128	NEW Water Pump for DD 60 Series 14.0L	23505895	-	49 Tooth Gear	34.0 lbs.	6	-	-

Installation Kits listed later in this section.

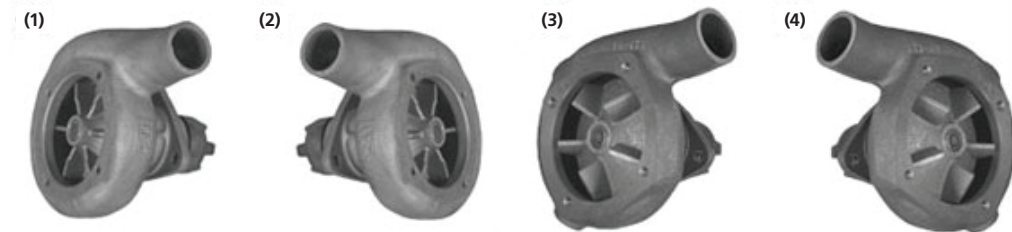
71 Series Engines



Service Number	Product Description	MFG. No.	Casting No.	Notes	Approx. Weight	Pic. No.	Core Group	New Part No.
RW1184X	REMAN Water Pump for DD 6V & 8V 71 Series	5149328	5117921	1 7/8" & 2 1/4" I.D. Outlets Standing Standard Capacity 2 Straight Outlet Pipes	26.8 lbs.	1	WP1011	-
RW1185X	REMAN Water Pump for DD 71 Series	5149329	5142273	Standard Capacity Running 2 Outlet Pipes at 45°	25.0 lbs.	2	WP1012	-
RW1186X	REMAN Water Pump for DD 8V 71 Series	5149326	5135455	1 7/8" & 2 1/4" I.D. Outlets Standing High Capacity 2 Straight Outlet Pipes	26.9 lbs.	1	WP1011	-
RW1187X	REMAN Water Pump for DD 71 Series	5149327	5142273	High Capacity Running 2 Outlet Pipes at 45°	27.0 lbs.	2	WP1012	-
RW1196X	REMAN Water Pump for DD 8V 71 Series	5149382	135455	1 7/8" & 2 1/4" I.D. Outlets Standing High Capacity 2 Straight Outlet Pipes with Reverse Gear	25.8 lbs.	1	WP1011	-

Installation Kits listed later in this section.

71 Series In-Line Engines



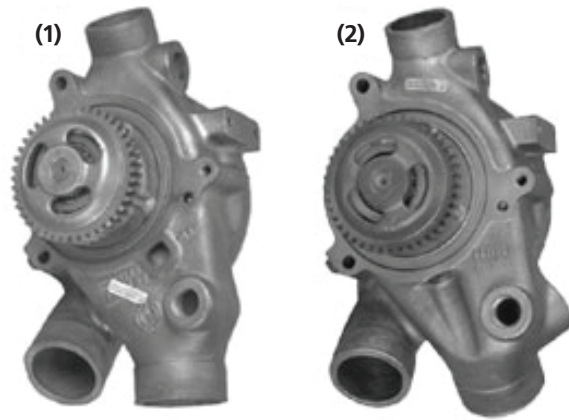
Service Number	Product Description	MFG. No.	Casting No.	Notes	Approx. Weight	Pic. No.	Core Group	New Part No.
RW1181	NEW Water Pump for DD 71 Series In-Line	5149707	5186574	Right Side Standard Capacity	6.9 lbs.	2	-	-
RW1181X	REMAN Water Pump for DD 71 Series In-Line	5149707	5186574	Right Side Standard Capacity	6.9 lbs.	2	WP1009	RW1181
RW1182	NEW Water Pump for DD 71 Series In-Line	5149706	5186573	Left Side Standard Capacity	6.8 lbs.	1	-	-
RW1182X	REMAN Water Pump for DD 71 Series In-Line	5149706	5186573	Left Side Standard Capacity	6.8 lbs.	1	WP1009	RW1182
RW1192X	REMAN Water Pump for DD 71 Series In-Line	5149708	5182070	Right Hand 3/8" Thread High Capacity Applications normally used with Turbo	6.9 lbs.	4	WP1010	-
RW1193X	REMAN Water Pump for DD 71 Series In-Line	5149710	5182069	Left Hand 3/8" Thread High Capacity Applications normally used with Turbo	6.8 lbs.	3	WP1010	-
RW1197X	REMAN Water Pump for DD 71 Series In-Line	5149708	5182070	Right Hand 1/4" Thread High Capacity Applications normally used with Turbo	7.0 lbs.	4	WP1036	-

Installation Kits listed later in this section.

WATER PUMPS

Detroit Diesel

92 Series Engines



Service Number	Product Description	MFG. No.	Casting No.	Notes	Approx. Weight	Pic. No.	Core Group	New Part No.
RW1188X	REMAN Water Pump for DD 92 Series	8921104	8921099	Gear Driven Running 2 Outlet Pipes at 45°, Snap Ring Cover	31.0 lbs.	2	WP1014	-
RW1189X	REMAN Water Pump for DD 6V & 8V 92 Series	8921105	8921100 5101261	2 1/4" & 2 1/2" I.D. Outlets Walking 1 Straight & 1@ 45° Outlet Pipe, Snap Ring Cover	28.0 lbs.	1	WP1013	-

DD13 and DD15 Series Engines

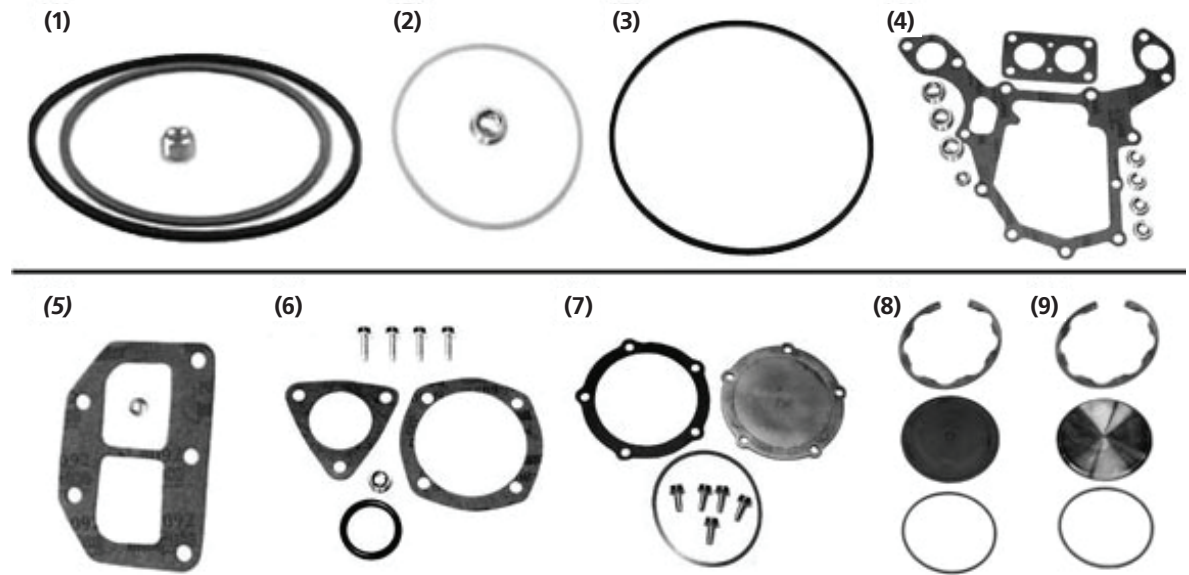


Service Number	Product Description	MFG. No.	Casting No.	Notes	Approx. Weight	Core Group	New Part No.
RW6028	NEW Water Pump for DD13 and DD15 Series	DDEA472200101 EA47222000401	-	-	4.5 lbs.	-	-

Detroit Diesel

WATER PUMPS

Detroit Diesel Installation Kits



Service Number	Product Description	Application	Pic. No.
1119KIT	Bracket Kit for Detroit Diesel 8.2 Liter Engine Water Pump	RW6119, RW1119X, RW1120X	4
1160KIT	Gasket Kit for Detroit Diesel 60 Series Engine Water Pump	RW6121, RW1160X	1
1180KIT	Gasket Kit for Detroit Diesel 53 Series Engine Water Pump	RW1180X, RW1183X	5
1181KIT	Gasket Kit for Detroit Diesel 71 Series Engine Water Pump	RW1181, RW1181X, RW1182, RW1182X	6
1184KIT	Gasket Kit for Detroit Diesel 71 Series Engines Water Pump	RW1184X, RW1185X, RW1186X, RW1187X, RW1196X	7
1189KIT	Gasket Kit for Detroit Diesel Engine – 92 Series Water Pump	RW1188, RW1189	3
4122KIT	Gasket Kit for Detroit Diesel 60 Series Engine Water Pump	RW6122, RW4122X	2
RW4122PLK	Plastic Backing Plate Kit for Detroit Diesel 60 Series Engine Water Pump	RW6122, RW4122X	8
RW4122STK	Steel Backing Plate Kit for Detroit Diesel 60 Series Engine Water Pump	RW6122, RW4122X	9

WATER PUMPS

Ford

7.3L Engines



Service Number	Product Description	MFG. No.	Casting No.	Notes	Approx. Weight	Pic. No.	Core Group	New Part No.
RW1923	NEW Water Pump for Ford 7.3L	YC3Z8501CA	-	1996-2007 7.3L	24.0 lbs.	-	-	-

6.6L and 7.8L Engines

Auxiliary Mount

Non-Auxiliary Mount

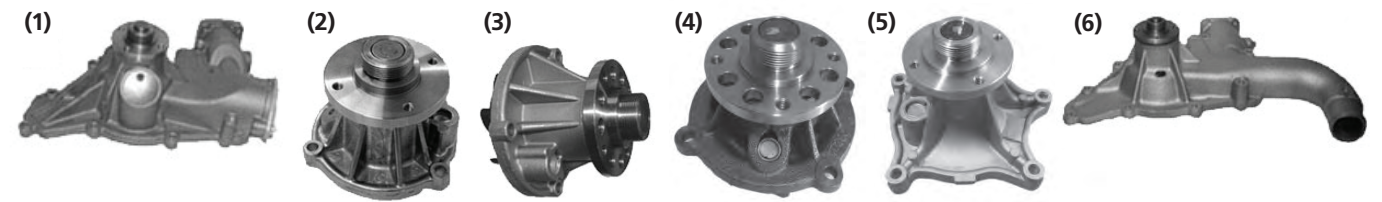


Service Number	Product Description	MFG. No.	Casting No.	Notes	Approx. Weight	Pic. No.	Core Group	New Part No.
RW1760X	REMAN Water Pump for Ford 6.6L and 6.8L	E9TZ8501B	E7HN8508AA	Auxiliary Mount, 3/4" Outlet, Cab Over	18.4 lbs.	1	WP1046	-
RW1761X	REMAN Water Pump for Ford 6.6L and 6.8L	E7TZ8501A	E5HN8508AB	Non-Auxiliary Mount, 1" Outlet, Conventional Cab	16.8 lbs.	1	WP1058	-
RW1762	NEW Water Pump for Ford 7.8L	F1HZ8501CRM	F0HN8505AA	91-93 Ford Truck (94 F600 only) w/o Pump Mounted Fan	16.2 lbs.	3	-	-
RW1762X	REMAN Water Pump for Ford 7.8L	F1HZ8501CRM	F0HN8505AA	91-93 Ford Truck (94 F600 only) w/o Pump Mounted Fan	16.2 lbs.	3	WP1061	RW1762
RW6314	NEW Water Pump for Ford 6.6L & 7.8L (Brazilian)	E7HN8A513AB E8HZ8501B	-	-	18.4 lbs.	2	-	-
RW885	NEW Water Pump for Ford 7.8L	E1HZ8501DRM	-	91-95 6.6L FTL600-900 excludes 210 HP / B-C-CF-F800	21.0 lbs.	-	-	-

Ford

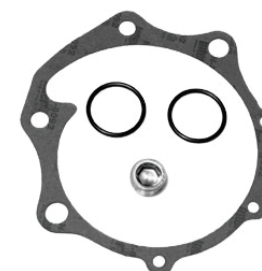
WATER PUMPS

Ford Powerstroke Engines



Service Number	Product Description	MFG. No.	Casting No.	Notes	Approx. Weight	Pic. No.	Core Group	New Part No.
RW1767	NEW Water Pump for Ford Powerstroke - 7.3L (466) DI Turbo Diesel	F7TZ-8501BRM F81Z-8501A F81Z-8501B F81Z-8501CRM F81Z-8501FA F7TZ-8501B F7TZ-8501C	8311005C2 F6TZ-8501AA	2000-2002 E150/E350, 2000-2002 Excursion, 1996-2002 F250, F350, F450, F550 Super Duty, 1996-1997 F53/59 Stripped Chassis	11.0 lbs.	1	-	-
RW1767X	REMAN Water Pump for Ford Powerstroke - 7.3L (466) DI Turbo Diesel	F7TZ-8501BRM F81Z-8501A F81Z-8501B F81Z-8501CRM F81Z-8501FA F7TZ-8501B F7TZ-8501C	8311005C2 F6TZ-8501AA	2000-2002 E150/E350, 2000-2002 Excursion, 1996-2002 F250, F350, F450, F550 Super Duty, 1996-1997 F53/59 Stripped Chassis	11.0 lbs.	1	WP1064	RW1767
RW1768	NEW Water Pump for Ford Powerstroke - 6.0L Turbo Diesel	-	3C3Z8501A	2003-June 2004 6.0L Super Duty	7.0 lbs.	2	-	-
RW1769	NEW Water Pump for Ford Powerstroke - 6.0L Turbo Diesel	-	4C3Z8501AB	July 2004-Present 6.0L Super Duty	7.0 lbs.	3	-	-
RW1786	NEW Water Pump for Ford Powerstroke - 6.0L Turbo Diesel	-	4C4Z-8501AARM	2003 - 2010 6.0L Super Duty	7.0 lbs.	4	-	-
RW1917	NEW Water Pump for Ford Powerstroke - 6.4L	-	8C3Z8501C	2008-2010 6.4L Super Duty	7.0 lbs.	5	-	-
RW6310	NEW Water Pump for Ford Powerstroke - 7.3L (466) DI Turbo Diesel	-	F5TZ-8501B F5TZ-8501C	94-96 7.3L Super Duty	10.0 lbs.	6	-	-

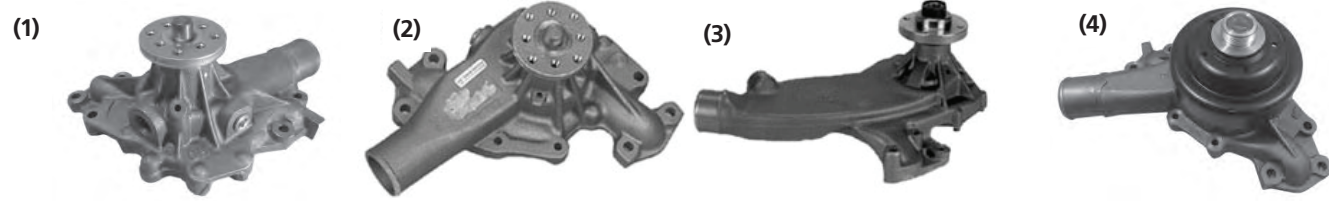
Ford Installation Kits



Service Number	Product Description	Application
1760KIT	Gasket Kit for Ford 6.6 & 7.8 Engine Water Pump	RW1760X, RW1761X, RW1762X

WATER PUMPS

6 to 7 Liter Engines



Service Number	Product Description	MFG. No.	Casting No.	Notes	Approx. Weight	Pic. No.	Core Group	New Part No.
RW1381	NEW Water Pump for GM 6.5L	12530176	-	6.5L Medium Duty/School Bus; Second Design, Double Thermostat	14.0 lbs	1	-	-
RW1406	NEW Water Pump for GM 6.2L	14082745 23500133	14024206	86-90 Chev & GM; Belt Driven, Conventional Cab, Pulley Not Supplied	15.0 lbs.	2	-	-
RW1406X	REMAN Water Pump for GM 6.2L	14082745 23500133	14024206	86-90 Chev & GM; Belt Driven, Conventional Cab, Pulley Not Supplied NEW Part Number 1406	15.0 lbs.	2	WP1015	RW1406
RW1408	NEW Water Pump for GM 366 & 427	14002440 10074182	14001939	Standard Hub; 79-84 6.0L & 7.0L; 76-78 CE-ME65 with Front End Drive	24.0 lbs.	3	-	-
RW1409X	REMAN Water Pump for GM 366 & 427	6258548	3856286	Screw-On Hub; 79-84 6.0L & 7.0L; 76-78 CE-ME65 with Front End Drive	24.0 lbs.	3	WP1059	-
RW1559	NEW Water Pump for GM 6.5L DSL	12456231	-	1999-2003 6.5L Light/Medium Duty	19.0 lbs	4	-	-
RW852	NEW Water Pump for GM 6.2L, 6.5L DSL	23500138	-	6.2L & 6.5L Light/Medium Duty; First Design, Single Thermostat	14.6 lbs	1	-	-

Installation Kits listed later in this section.

Duramax 6.6 Liter Engines



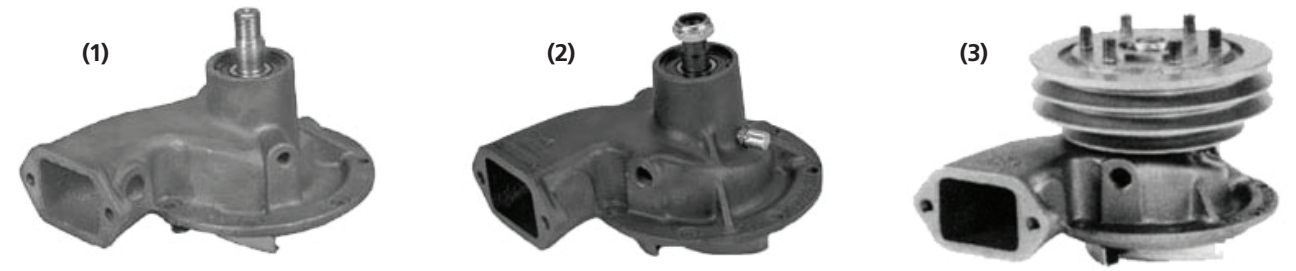
Service Number	Product Description	MFG. No.	Casting No.	Notes	Approx. Weight	Pic. No.	Core Group	New Part No.
RW1463	NEW Water Pump for GM	97216136	-	2001-2005 GM 6.6L Duramax Diesel	6.0 lbs	-	-	-
RW1935	NEW Water Pump for GM	98031233	-	2006-2010 GM 6.6L Duramax Diesel	4.4 lbs.	-	-	-

Installation Kits listed later in this section.

General Motors

Mack

END 673, 675, 676 & E6 Engines



Service Number	Product Description	MFG. No.	Casting No.	Notes	Approx. Weight	Pic. No.	Core Group	New Part No.
RW2000X	Reman. Thermodyne Water Pump for MACK END 673, 675, 676	316GC184	360GB334	Short Shaft w/o Pulley	12.2 lbs	1	WP1020	-
RW4215X	REMAN Econodyne Water Pump for MACK E6	316GC1219AX	360GB443	Flush Impeller w/o Pulley	13.0 lbs.	2	WP1023	RW6125
RW4219X	REMAN Water Pump for MACK E6	316GC549MX	360GB443A	Stamped 3-Groove Impeller with 7 1/4" Pulley	24.5 lbs.	3	WP1071	-
RW6215	NEW Econodyne Water Pump for MACK E6	316GC1219AX	360GB443	Flush Impeller w/o Pulley	13.0 lbs.	2	-	-

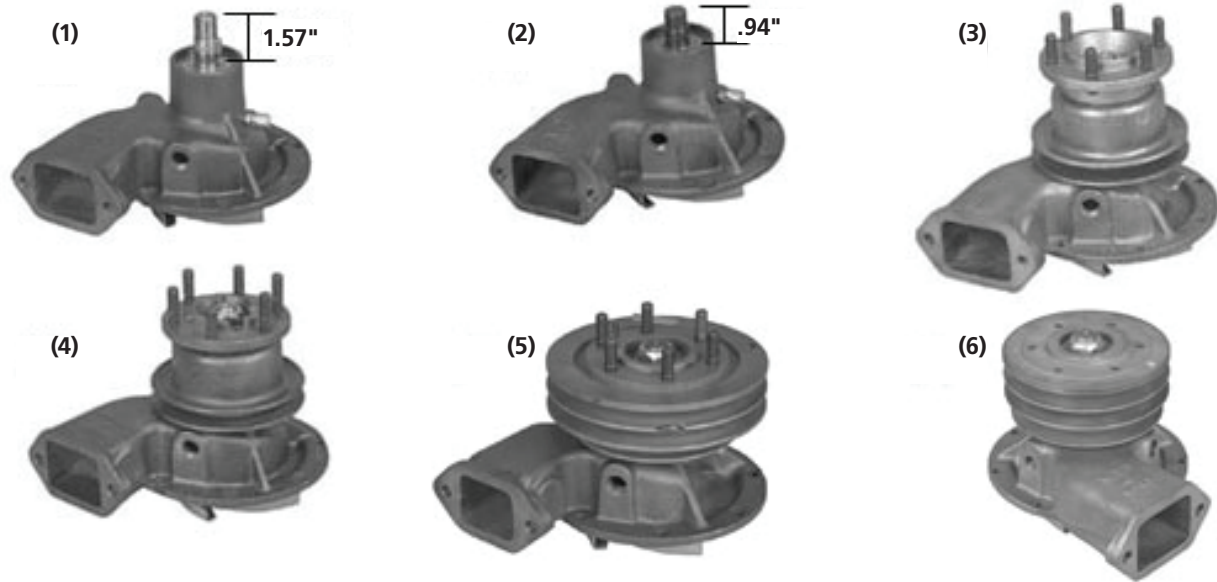
Installation Kits listed later in this section.

WATER PUMPS

WATER PUMPS

Mack

ENDT 675, 676, E6, EM6 & EMS6 Engine



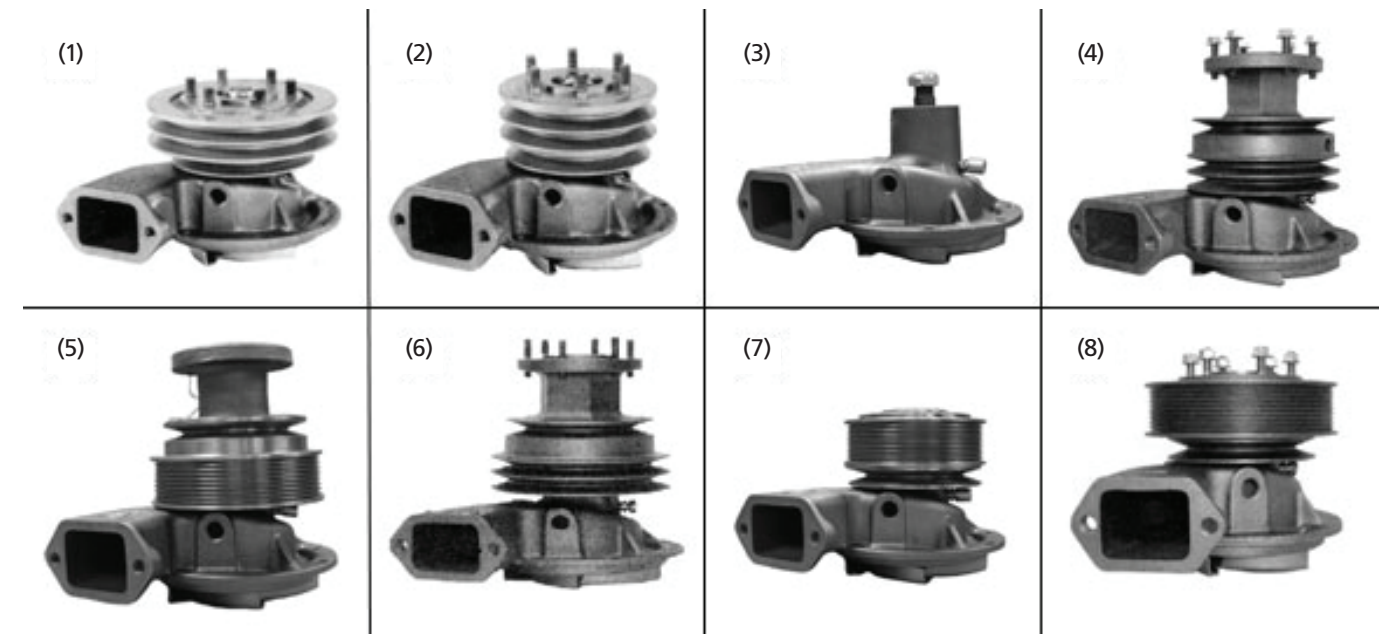
Service Number	Product Description	MFG. No.	Casting No.	Notes	Approx. Weight	Pic. No.	Core Group	New Part No.
RW2001	NEW Maxidyne Water Pump for MACK ENDT 675, 676	316GC1184	316GB443, 316GC1211A, 316GC1211B,	1.57" Long Shaft w/o Pulley	13.0 lbs	1	-	-
RW2001X	REMAN Maxidyne Water Pump for MACK ENDT 675, 676	316GC1184	316GB443, 316GC1211A, 316GC1211B	1.57" Long Shaft w/o Pulley	13.0 lbs.	1	WP1023	RW2001
RW2002	NEW Maxidyne Water Pump for MACK E6, EM6 & EMS6	316GC1210A	316GB443	Charged Air, .94" Long Shaft w/o Pulley	13.0 lbs.	2	-	-
RW2002X	REMAN Maxidyne Water Pump for MACK E6, EM6 & EMS6	316GC1210A	316GB443	Charged Air, .94" Long Shaft w/o Pulley	13.0 lbs.	2	WP1023	RW2002
RW2005	NEW Water Pump for MACK ENDT 675 & 676	316GC1184BX	360GB443	Long Shaft with Pulley	16.0 lbs.	3	-	-
RW2005X	NEW Water Pump for MACK ENDT 675 & 676	316GC1184BX	360GB443	Long Shaft with Pulley	16.0 lbs.	3	WP1022	RW2005
RW2006	NEW Water Pump for MACK ENDT 675 & 676	316GC1211AX	360GB443	Long Shaft, Notched Hub Pulley, Fan Clutch Application	17.6 lbs.	4	-	-
RW2006X	REMAN Water Pump for MACK ENDT 675 & 676	316GC1211AX	360GB443	Long Shaft, Notched Hub Pulley, Fan Clutch Application	17.6 lbs.	4	WP1022	RW2006
RW4209	NEW Econodyne Water Pump for MACK E6, EM6 & EMS6	316GC1210AX	360GB443	Charged Air, 6 5/8" Diameter Pulley, 3-Groove	23.0 lbs.	5	-	-
RW4209X	NEW Econodyne Water Pump for MACK E6, EM6 & EMS6	316GC1210AX	360GB443	Charged Air, 6 5/8" Diameter Pulley, 3-Groove	23.0 lbs.	5	WP1022	RW4209
RW4210	NEW Econodyne Water Pump for MACK E6, EM6 & EMS6	316GC528CX	360GB443	Charged Air, 5 1/2" Diameter Pulley, 3-Groove, Stamped Impeller	20.0 lbs.	6	-	-
RW4210X	REMAN Econodyne Water Pump for MACK E6, EM6 & EMS6	316GC528CX	360GB443	Charged Air, 5 1/2" Diameter Pulley, 3-Groove, Stamped Impeller	20.0 lbs.	6	WP1022	RW4210

Installation Kits listed later in this section.

Mack

WATER PUMPS

E7 Engines



Service Number	Product Description	MFG. No.	Casting No.	Notes	Approx. Weight	Pic. No.	Core Group	New Part No.
RW4217X	REMAN Water Pump for Mack E7 Engines	316GC548M2X	360GB251AM	Metric Housing Stamped Impeller 3-Groove 7 1/4" Diameter Pulley	24.5 lbs.	1	WP1071	-
RW4218X	REMAN Water Pump for Mack E7 Engines	316GC548MX	360GB251AM	Metric Housing Stamped Impeller 3-Groove 5 1/2" Diameter Pulley	20.0 lbs.	2	WP1071	-
RW4220X	REMAN Water Pump for Mack E7 Engines	Base 316GC284	360GB251AM	Metric Housing Stamped Impeller Base Pump with 6 19/64" shaft length No Pulley	13.0 lbs.	3	WP1070	-
RW4221X	REMAN Water Pump for Mack E7 Engines	Base 316GC285	360GB251AM	Base Pump with 7 1/4" shaft length No Pulley	13.0 lbs.	3	WP1080	-
RW4222X	REMAN Water Pump for Mack E7 Engines	316GC551M3X	360GB251AM	Multi-Groove 5" Diameter Pulley	24.8 lbs.	4	WP1071	-
RW4223X	REMAN Water Pump for Mack E7 Engines	316GC548M4X	360GB251AM	3-Groove 6 5/8" Diameter Pulley	24.5 lbs	1	WP1071	-
RW4224X	REMAN Water Pump for Mack E7 Engines	316GC4108MX	360GB251AM	With Pulley	23.5 lbs.	6	WP1081	-
RW4226X	REMAN Water Pump for Mack E7 Engines	316GC551M2X	360GB251AM	Metric Housing Multi-Groove 5-1/2" Diameter Pulley	24.0 lbs.	7	WP1071	-
RW4227X	REMAN Water Pump for Mack E7 Engines	316GC551MX	360GB251AM	Multi-Groove 6" Diameter Pulley	23.0 lbs.	8	WP1071	-
RW4229X	REMAN Water Pump for Mack E7 Engines	316GC552M2X	-	Cast Multi-Groove Pulley	24.0 lbs.	5	WP1081	-

Installation Kits listed later in this section.

WATER PUMPS

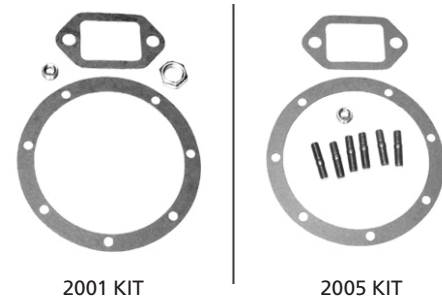
Mack

ACET Engines



Service Number	Product Description	MFG. No.	Casting No.	Notes	Approx. Weight	Core Group	New Part No.
RW2008X	REMAN Water Pump for Mack ACET Engines	315GC3193	2739-17	Pulley 5.3" Diameter Smooth	14.0 lbs.	WP1037	-
RW2009X	REMAN Water Pump for Mack ACET Engines	316GC3196	2738-17	Pulley 5.9" Diameter Smooth	14.0 lbs.	WP1037	-

MACK Installation Kits



Service Number	Product Description	Application
2001KIT	Gasket Kit for Mack ENDT 675, 676 & EMS-6 Engines Water Pump	RW2000, RW2000X, RW2001, RW2001X, RW2002, RW2002X, RW4215X, RW6215
2005KIT	Gasket Kit for Mack ENDT675, 676 & EMS-6 Engines Water Pump	RW2005X, RW2006X, RW4209X, RW4210X, RW6214, RW6216, RW6217

RW1912 RW6355 RW2044

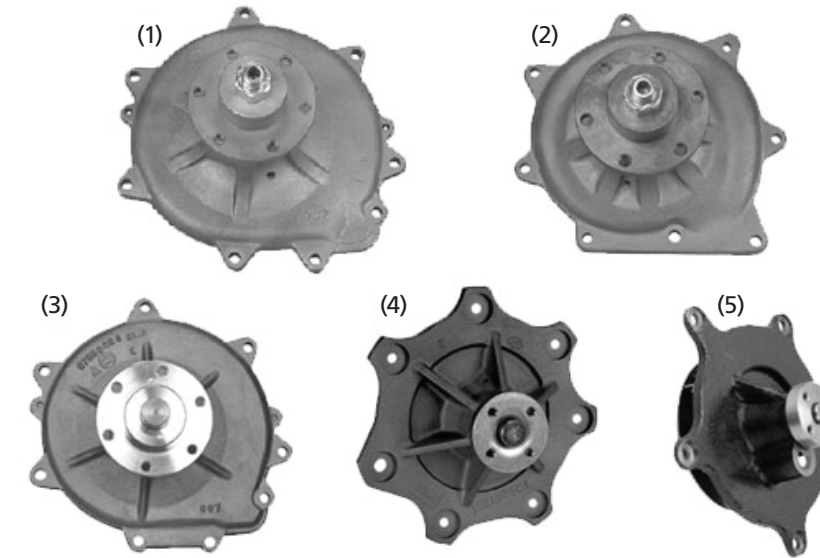


Service Number	Product Description	MFG. No.	Casting No.	Notes	Approx. Weight	Core Group	New Part No.
RW1912	NEW Water Pump for Mercedes 2.7L	5138057AA	-	2004-2006 Dodge Sprinter 2500, 3500	3.9 lbs.	-	-
RW2044	NEW Water Pump for Mercedes	5138057AA	-	MBE924 4.8L MBE904 4.3L	26.0 lbs.	-	-
RW6355	NEW Water Pump for Mercedes	A366 200 5901 355 200 5901	-	OM366, OM366A, OM633LA	16.0 lbs.	-	-

Navistar

WATER PUMPS

DT360, 414, 415, 466 & DTA360 Engines



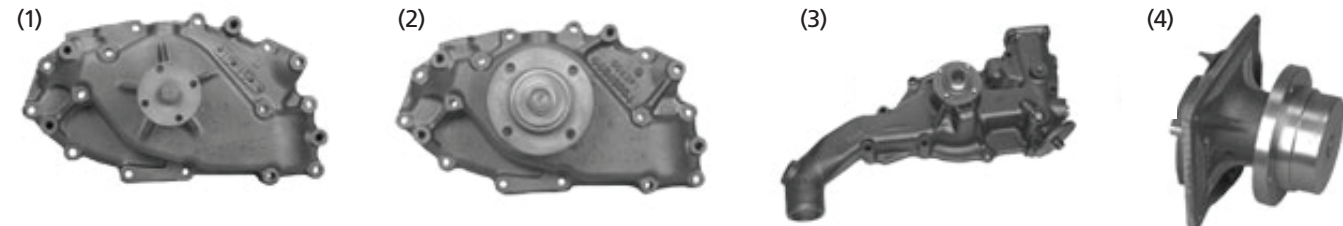
Service Number	Product Description	MFG. No.	Casting No.	Notes	Approx. Weight	Pic. No.	Core Group	New Part No.
RW1190	NEW Water Pump for Navistar DT466 Engine	685155C92	677856C1	Belt Driven Conventional Cab Pulley Not Supplied	19.2 lbs.	1	-	-
RW1190X	REMAN Water Pump for Navistar DT466 Engine	685155C92	677856C1	Belt Driven Conventional Cab Pulley Not Supplied	19.2 lbs.	1	WP1016	RW1190
RW1191	NEW Water Pump for Navistar DT466 Engines	680899C92	677137C1	Belt Driven Cab Over Pulley Not Supplied	17.1 lbs.	2	-	-
RW1191X	REMAN Water Pump for Navistar DT466 Engines	680899C92	677137C1	Belt Driven Cab Over Pulley Not Supplied	17.1 lbs.	2	WP1017	RW1191
RW1303X	REMAN Water Pump for Navistar DT466, DT414, & DT456 Engines	673162C94	675806C2	Belt Driven Press-On Hub.	18.0 lbs.	3	WP1017	-
RW1304X	REMAN Water Pump for Navistar DTA360 & DT466 Engines	1815538C91	677856C3	Belt Driven Bolt On Hub Left Hand Thread Pulley Not Supplied	22.0 lbs.	1	WP1016	RW6307
RW1310X	REMAN Water Pump for Navistar DT360 & DT466 NEW Generation Engines	1817687C92	1821935C1 1821935C3	Stamped Steel Impeller	10.0 lbs.	4	WP1060	RW6313
RW6307	NEW Water Pump for Navistar DTA360 & DT466 Engines	1815538C91	677856C3	Belt Driven Bolt On Hub Left Hand Thread Pulley Not Supplied	22.0 lbs.	1	-	-
RW6311	NEW Water Pump for International DT466 & DT466E Engines	1842664C92	1841765C1	Bolt on Pulley 5 Bolt Pump	3.5 lbs.	5	-	-
RW6313	NEW Water Pump for Navistar DT360 & DT466 NEW Generation Engines	1817687C92	1821935C1 1821935C3	Stamped Steel Impeller	10.0 lbs.	4	-	-

Installation Kits listed later in this section.

WATER PUMPS

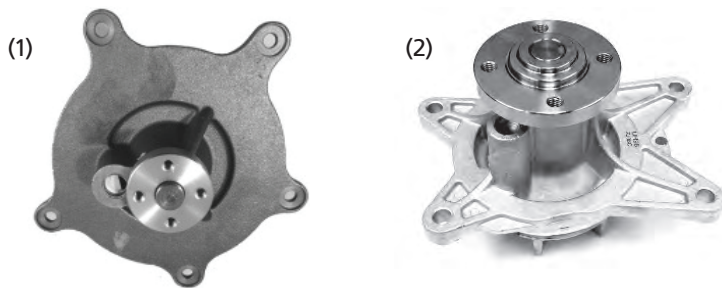
Navistar

6.9, 7.3, 9.0 Liters & DT444E Engines



Service Number	Product Description	MFG. No.	Casting No.	Notes	Approx. Weight	Pic. No.	Core Group	New Part No.
RW1747	NEW Water Pump for Navistar 6.9 & 7.3 Liter Engines	1809374C91	446430C1	Belt Driven 2 5/8" Hub O.D. Pulley Not Supplied	17.0 lbs.	1	-	-
RW1747X	REMAN Water Pump for Navistar 6.9 & 7.3 Liter Engines	1809374C91	446430C1	Belt Driven 2 5/8" Hub O.D. Pulley Not Supplied	17.0 lbs.	1	WP1019	RW1747
RW1757	NEW Water Pump for Navistar 6.9 & 7.3 Liter (Ford Truck) Engines	E4TZ-8501C (E9TZ-8501B)	446430C1	Belt Driven 4 1/2" Hub O.D. Pulley Not Supplied	18.8 lbs.	2	-	-
RW1757X	REMAN Water Pump for Navistar 6.9 & 7.3 Liter (Ford Truck) Engines	E4TZ-8501C (E9TZ-8501B)	446430C1	Belt Driven 4 1/2" Hub O.D. Pulley Not Supplied	18.8 lbs.	2	WP1018	RW1757
RW4114X	REMAN Water Pump for Navistar 7.3 Liter DT444E Engine	1831676C91 1823669C92 1831676C92	1822851C1	Direct Injection	26.8 lbs.	3	WP1062	RW6114
RW6114	NEW Water Pump for Navistar 7.3 Liter DT444E Engine	1831676C91 1823669C92 1831676C92	1822851C1	Direct Injection	26.8 lbs.	3	-	-
RW6306	NEW Water Pump for Navistar 9.0 Liter Engines	1700594C91 1700594C92	489173C1	Belt Driven	10.3 lbs.	4	-	-
RW6306X	REMAN Water Pump for Navistar 9.0 Liter Engines	1700594C91 1700594C92	489173C1	Belt Driven	10.3 lbs.	4	WP1049	RW6306

MAXXFORCE Diesel 9L, 10L Engines

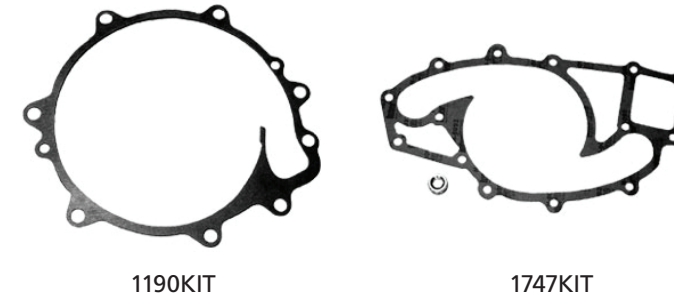


Service Number	Product Description	MFG. No.	Casting No.	Notes	Approx. Weight	Pic. No.	Core Group	New Part No.
RW2052	NEW Water Pump for International MaxxForce	1889116C92	446430C1	L, 10L Diesel Engines	6.0 lbs.	1	-	-
RW2053	REMAN Water Pump Navistar MaxxForce	7081213C91, 7081213C92, 1886091C91	446430C1	, 6.4L Engines	3.9 lbs.	2	-	-

Navistar

WATER PUMPS

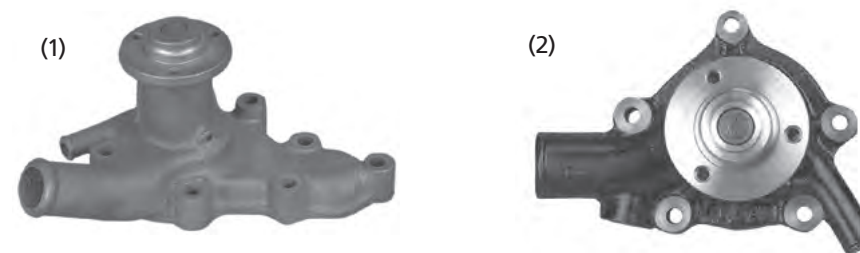
Navistar Installation Kits



Service Number	Product Description	Application
1190KIT	Gasket Kit for Navistar Engines Water Pump	RW1190, RW1190X, RW1303X, RW1304X
1747KIT	Gasket Kit for Navistar 6.9 & 7.3 Liter Engines Water Pump	RW1747, RW1747X, RW1757, RW1757X

Thermo-King/Isuzu

Isuzu 2.2 Liter and C-201 Engines



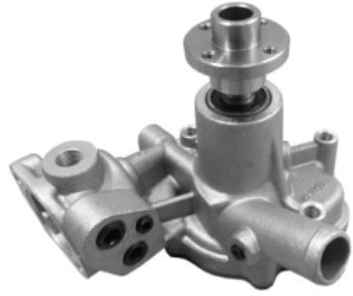
Service Number	Product Description	MFG. No.	Casting No.	Notes	Approx. Weight	Pic. No.	Core Group	New Part No.
RW1199	NEW Water Pump for Thermo-King Isuzu C-201 Engine	11-4576	PH374	-	9.6 lbs.	1	-	-
RW1199X	REMAN Water Pump for Thermo-King Isuzu C-201 Engine	11-4576	PH374	-	9.6 lbs.	1	WP1024	RW1199
RW1351	NEW Water Pump for Thermo-King Isuzu 2.2 Liter Engine	11-5858	M-1/M-2	with Threaded Auxiliary Port	6.8 lbs.	2	-	-
RW1351X	REMAN Water Pump for Thermo-King Isuzu 2.2 Liter Engine	11-5858	M-1/M-2	with Threaded Auxiliary Port	6.8 lbs.	2	WP1024	RW1351
RW1352X	REMAN Water Pump for Thermo-King Isuzu 2.2 Liter Engine	11-5858	M-1/M-2	without Auxiliary Port	6.7 lbs.	2	WP1024	RW6352
RW6352	NEW Water Pump for Thermo-King Isuzu 2.2 Liter Engine	11-5858	M-1/M-2	without Auxiliary Port	6.7 lbs.	2	-	-

Installation Kits listed later in this section.

WATER PUMPS

Thermo-King/Isuzu

Isuzu Yanmar 482, 486 Engines



Service Number	Product Description	MFG. No.	Casting No.	Notes	Approx. Weight	Core Group	New Part No.
RW1910	NEW Water Pump for Thermo-King Yanmar 482, 486 Engines	11-9499	-	-	5.0 lbs.	-	-

Isuzu 4BD2 Engines



RW1907



RW1908

Service Number	Product Description	MFG. No.	Casting No.	Notes	Approx. Weight	Core Group	New Part No.
RW1907	NEW Water Pump For Isuzu Engines	2911463250	-	NO Bypass Tube; 1992-98 NPR 3.9L	14.3 lbs.	-	-
RW1908	NEW Water Pump For Isuzu Engines	2911463250	-	INCLUDES Bypass Tube; 1992-98 NPR 4BD2	14.3 lbs.	-	-

Thermo-King/Isuzu Installation Kit



Service Number	Product Description	Application
1351KIT	Gasket Kit for Thermo-King Isuzu 2.2 Liter Engine Water Pump	RW1351X

Carrier/Kubota/Bobcat

WATER PUMPS

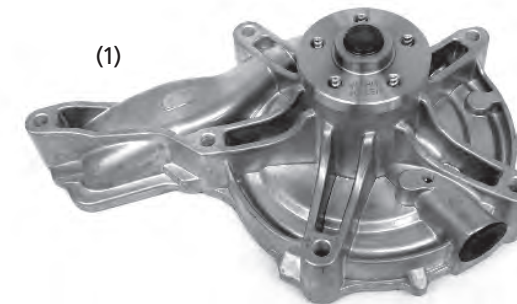
Carrier/Kubota/Bobcat



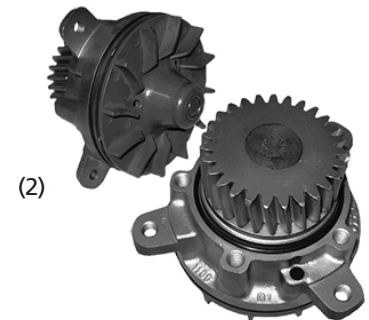
Service Number	Product Description	MFG. No.	Casting No.	Notes	Approx. Weight	Core Group	New Part No.
RW1799	NEW Water Pump for Carrier/Kubota/Bobcat	15521-73-03	-	-	3.3 lbs.	-	-

Volvo

D11, D12C, D13 and D16 Engines



(1)



(2)

Service Number	Product Description	MFG. No.	Casting No.	Notes	Approx. Weight	Pic. No.	Core Group
RW2010	NEW Water Pump for Volvo D11, D13, and D16 Engines	Volvo: 85142304, 85124621, 85116650, 85142303, 85116652, 85116648, 85109694, 85110396. Mack: 21504548, 21468472, 22197709, 21228795, 20744944, 85003709, 8500316	-	-	5.4 lbs.	1	-
RW4786X	REMAN Water Pump for Volvo D12C Engine	20431135, 20713787, 20734268 Volvo REMAN #85000786	20713184	Pressed on Gear and Impeller	12.0 lbs.	2	WP1086

Dodge: Light/Medium Duty Engines

RW1438



RW181747



Service Number	Product Description	MFG. No.	Casting No.	Notes	Approx. Weight	Core Group	New Part No.
RW1438	NEW Water Pump for Dodge Engines	5302 1018AD	-	NO Bypass Tube; 1994-2003 5.2L, 5.9L Engines	3.9 lbs.	-	-
RW181747	NEW Water Pump for Dodge Engines	5138057AA	-	INCLUDES Bypass Tube; 2004-2008 5.2L, 5.9L Engines	26.0 lbs.	-	-

General Motors: Light/Medium Duty Engines

RW1652



RW1939



Service Number	Product Description	MFG. No.	Casting No.	Notes	Approx. Weight	Core Group	New Part No.
RW1652	NEW Water Pump for Chevy/GMC Engines	12458935	-	1999-2006 5.3L, 6.0L, 6.2L Engines	14.0 lbs.	-	-
RW1939	NEW Water Pump for Chevy/GMC Engines	12600767	-	2007-2013 5.3L, 6.0L, 6.2L Engines	14.0 lbs.	-	-

Ford: Light/Medium Duty Engines



Service Number	Product Description	MFG. No.	Casting No.	Notes	Approx. Weight	Core Group	New Part No.
RW1694	NEW Water Pump for Ford Engines	3L3Z-8501-CA	-	1997-2013 4.6L, 5.4L Engines	5.0 lbs.	-	-

BROKEN WATER PUMP BEARINGS OR SHAFTS ARE CAUSED BY ONE OR MORE OF THE FOLLOWING CONDITIONS:

EXCESSIVE ENGINE ACCELERATION. Rapid engine accelerations, particularly in low gear during quick getaways, place heavy overloads on the bearing. Any minor imbalance can be amplified during rapid acceleration and high speeds, which can result in severe whipping action and sudden fractures.

DEFECTIVE FAN. Relatively minor fan defects can impose substantial strain on the water pump shaft at 3000 to 5000 RPM. A small piece of fan blade missing can result in tremendous adverse centrifugal force. Fatigue cracks near the rivets can cause blade shift or vibration. Bent fan blades can also cause serious load problems.

FAN NOT SQUARE WITH SHAFT. It is extremely important that the fan is mounted square to the center line of the shaft. If it is not square, the fan will wobble, causing vibrations to develop. This is particularly important where shaft spacers are used to move the fan closer to the radiator. The mounting bolts, if not properly torqued, will cause the fan to be tilted and may result in permanent deformation of the spacer.

BENT OR CRACKED PULLEYS. Damaging vibration can result from bent or cracked pulleys. This usually happens when a pulley is improperly handled or installed.

FAN BELT TOO TIGHT. An overtightened fan belt can overload the bearing, resulting in shorter than ordinary fatigue life. It also causes bending of the shaft. Sudden accelerations cause large unbalanced loads, excessive shaft bending and early shaft failure.

SHAFT FAILURE CAUSED BY IMBALANCE

Examination of a failed water pump shaft will reveal the probable cause of failure. Discoloration around the fracture indicates unusually high temperatures caused by centrifugal forces due to imbalance. A small amount of imbalance can result in tremendous pressure on the shaft at operating RPM. The overload is concentrated at one point of the shaft and eventually the shaft snaps. Lack of discoloration at the break indicates no heat buildup occurred before a sudden vibratory overload of the shaft caused a clean, instantaneous fracture. Rapid acceleration of the engine coupled with imbalance in the shaft is the cause. Small vibrations can be amplified during rapid acceleration and when combined with other engine vibrations can result in an instantaneous shaft fracture.

PREVENT WATER PUMP FAILURE WITH THESE COMMON SENSE RULES

ALWAYS TIGHTEN FAN BELTS PROPERLY. Drive belt tension should be 1/2" to 3/4" deflection with light pressure applied midway between pulleys.

NEVER HAMMER BEARING SHAFT. Often it is necessary to tap the pump to get it properly aligned during installation. It is very important not to tap on the shaft, as this results in ball race and ball damage. This can cause anything from a noisy pump to an early failure and even a fracture of the shaft.

BE SURE FAN IS SEATED SQUARE WITH THE PUMP SHAFT AND FAN CLUTCH IS NOT DEFECTIVE. Fan wobble during rotation will cause the shaft to vibrate, contributing to bearing or shaft failure.

ALWAYS REPLACE DAMAGED FANS. Never straighten bent blades; replace the complete fan. Stress cracks and loose rivets in the blades can go undetected and cause a catastrophic failure. If a fan breaks, it can cause serious personal injuries and vehicle damage.



Haldex develops and provides reliable and innovative solutions with focus on brake and air suspension products to the global commercial vehicle industry.

Listed on the Stockholm Stock Exchange, Haldex has annual sales of approximately 3.9 billion SEK and employs about 2,200 people.

To learn more, contact your Haldex sales professional.

United States 816-891-2470
Canada 519-621-6722
Mexico 52-81-81569500

For additional contact information
or to learn more about Haldex,
please visit Haldex.com

L00112
US Rev. 3/19 5M LS
Printed In The USA