

The **Haldex** **Valve Catalog**

Quality parts for vehicles at any life stage.

New and Remanufactured Valves
Air Regulating • Check • Drain
Emergency Relay • Hand/Foot Control
Inversion • Pressure Protection
Pressure Relief • Quick Release
Relay • Solenoid • Tractor Protection
Trailer • Reman Tractor ABS

Haldex

MIDLAND™

Like-Nu™

Important Notice

The products described within this literature, including without limitation, product features, specifications, designs, availability and pricing are subject to change by Haldex and its subsidiaries at any time without notice.

This document and other information from Haldex, its subsidiaries and authorized distributors provide product and/or system options for further investigation by users having technical expertise. It is important that you analyze all aspects of your application and review the information concerning the product or system, in the current literature or catalog. Due to the variety of operating conditions and applications for these products or systems, the user, through their own analysis and testing, is solely responsible for making the final selection of the products and systems and assuring that all performance, safety and warning requirements are met.

Table of Contents	TOC1
Part Number Index	PN1
Foreward	FWD1

Relay Valves

Haldex (New and Remanufactured)

RG2 – 2 Port Trailer Valve	1
RG5 - 2 Port Trailer Valve	2
2-Port - Single Control Line.....	3
2 Port - Integral Bracket.....	4
2 Port - Anti-Compounding.....	5
2 Port - Anti-Compounding – Dual Crack Pressure	6
2-Port - Without Anti-Compounding - Dual Control	6
2 Port – Fast Air and Balancing (FAB)	7
4 Port - Single Control Line.....	7
4 Port – Vertical Ports	8
4 Port - Integral Bracket.....	9
4 Port - Anti-Compounding.....	10
4 Port - Anti-Compounding - Dual Crack Pressure	10
Mounting Brackets	11

Competitive (New and Remanufactured)

Bendix® BP-1.....	12
Bendix® BP-R1	12
Bendix® R-6	13
Bendix® R-8	14
Bendix® R-8P	14
Bendix® R-12.....	15
Bendix® R-12H	16
Bendix® R-12P.....	16
Bendix® R-14.....	17
Bendix® R-14H	17
Sealco - Ratio.....	18
Sealco Relay.....	18
Sealco - Control Line.....	19
Sealco - Mini.....	19
Sealco - Trailer.....	20
Sealco - 3 Port Delivery	20

Hand Control Valves

Haldex (New and Remanufactured)

Trailer Brake Control - In-Column Mount.....	21
Trailer Brake Control - Steeing Column Mount.....	21
Trailer Brake Control - Panel Mount	22

Hand Control Valves (cont'd)

Haldex (New and Remanufactured)

Flipper Style - Panel Mount 22

Flipper Style - Locking Handle 23

Double Flipper Style - Panel Mount 23

Manifold Dash - Style A 24

Manifold Dash - Style B 25

Push-Pull - Parking Brake 26

Push-Pull - Trailer Air Supply..... 26

Push-Pull - Tactor Parking 27

Push-Pull - Panel Mount..... 27

Push-Pull - Bulkhead Mount..... 28

Push-Pull - Hostler Valve 28

Push Style 29

Competitive (New and Remanufactured)

Bendix® HPP-1 - Push-Pull 29

Bendix® PP-1 - Push-Pull 30

Bendix® PP-2 - Push-Pull 31

Bendix® PP-3 - Push-Pull 32

Bendix® PP-5 - Push-Pull 33

Bendix® PP-7 - Trailer Supply 34

Bendix® PP-8 - Push-Pull 35

Bendix® PP-DC 35

Bendix® MV-2 - Manifold 36

Bendix® MV-3 - Manifold 37

Bendix® TC-2 - Trailer 37

Bendix® TW-1 38

Bendix® TW-3 38

Foot Control Valves

Haldex (New and Remanufactured)

Single Circuit 39

Single or Dual Circuit - Pedal Attached 39

Aluminum Treadle 40

Competitive (New and Remanufactured)

Bendix® E-2 and E-3 40

Bendix® E-5 41

Bendix® E-6 - Dual Circuit..... 41

Bendix® E-7 - Dual Circuit 42

Bendix® E-10 - Dual Circuit 43

Bendix® E-12 43

Bendix® E-14 43

Check Valves

Haldex (New and Remanufactured)	
One-Way	44
Two-Way - Shuttle Type	44
Two-Way - Diaphragm Type	45
Competitive (New and Remanufactured)	
Bendix® DS-1	45

Air Regulating Valves

Haldex (New and Remanufactured)	
Auxiliary - Adjustable	46
Manual - Adjustable	46

Pressure Protection Valves

Haldex (New and Remanufactured)	
With One-Way Check and Premium Version	47
Competitive (New and Remanufactured)	
Bendix® PR-2.....	48
Bendix® PR-4	48

Pressure Relief Valves

Haldex (New and Remanufactured)	
Pressure Relief.....	49

Tractor Protection Valves

Haldex (New and Remanufactured)	
Two-Line - Manifold Style	50
Two-Line - Non-Automatic	51
Competitive (New and Remanufactured)	
Bendix® TP-2.....	52
Bendix® TP-3.....	52
Bendix® TP-4	53
Bendix® TP-5.....	53

Quick Release Valves

Haldex (New and Remanufactured)	
Quick Release.....	54
Quick Release - Two-Way check	55
Competitive (New and Remanufactured)	
Bendix® LQ-2 Limited	56
Bendix® LQ-4 Ratio	57
Bendix® LQ-5 Bobtail Ratio	57
Bendix® QR-1	58
Bendix® QR-1C Double Check Valve	59

Inversion Valves

Haldex (New and Remanufactured)
 Pre-March 1998..... 60
 March 1998..... 60
 Competitive (New and Remanufactured)
 Bendix® SR-161

Drain Valves

Haldex (New and Remanufactured)
 Automatic.....61
 Manual 62
 Competitive (New and Remanufactured)
 Bendix® DV-2 - Automatic..... 63

Solenoid Valves

Haldex (New and Remanufactured)
 Solenoid Valve 63

Tractor ABS Valves

Competitive (New and Remanufactured)
 Meritor WABCO Style - Rear Axle Valve Packs..... 64
 Meritor WABCO Style - Relay Valve for Valve Packs..... 66
 Meritor WABCO Style - Front Axle Valve Packs..... 67
 Meritor WABCO Style - Quick Release Valve for Valve Packs..... 68
 Meritor WABCO Style - ATC..... 68
 Meritor WABCO Style - Modulator 69
 Meritor WABCO Style - Trailer ABS 70

Trailer Valves

Haldex (New and Remanufactured)
 FF2 - Full Function Valve.....71
 RT-4 - Multi-Function 72
 TBC - Trailer Brake Control..... 73
 Competitive (New and Remanufactured)
 Bendix® SR-2 - Trailer Spring Brake.....74
 Bendix® SR-4 - Trailer Spring Brake 75
 Bendix® SR-5 - Trailer Spring Brake - Anti-Compounding75
 Sealco - Spring Brake Control76
 Sealco - Ratio Relay.....76
 Sealco - Ratio Relay with Anti-Compounding..... 77
 TRAMEC - Trailer Emergency 77

Emergency Relay Valves

Haldex (New and Remanufactured)

4-Port..... 78

Competitive (New and Remanufactured)

Bendix® R-7 - Modulating 79

Bendix® RE-6 79

Sealco..... 80

Sealco - Cartridge 80

Sealco - Ratio..... 80

Miscellaneous Valves

Competitive (New and Remanufactured)

Fuller Style Air Valves 81

Cummins - Fuel Solenoid..... 82

Williams® - 3-Way Regulating..... 82

Williams® - Air Throttle Cylinder 82

Accessories

In-Line Filters..... 83

Drain Cocks 83

Push-Pull Knobs - Pin Type..... 84

Bendix® Push-Pull Knobs - Threaded Type 84

Push-Pull Knobs - Threaded Type..... 85

Faceplates..... 86

Repair Kits - Relay/Emergency Relay Valves 87

Repair Kits - Hand Control Valves 88

Repair Kits - Tractor Protection Valves..... 89

Repair Kits - Automatic Drain Valves 89

Repair Kits - Miscellaneous Valves..... 90

Manifold Dash Valve - Mounting Configurations.....91

VALVES

Part Number Index

Part No.	Page No.	Part No.	Page No.	Part No.	Page No.	Part No.	Page No.
10027	89	101570X	36	110139X	18	229509X	56
10719	83	101622RX	75	110147X	77	229585K	87
12100	62	101622X	75	110148X	77	229635RX	38
12102	62	101805K	88	110170RX	76	229635X	38
12103	62	101818RX	42	110170X	76	229813RX	58
12104	62	101818X	42	110171X	76	229813X	58
12105	62	102008GM	88	110191X	76	229844RX	58
12110	83	102048K	90	110197RX	20	229844X	58
12112	83	102165RX	15	110197X	20	229859RX	58
12116	83	102165X	15	110200X	80	229859X	58
12500	84	102462D	88	110205RX	80	229860RX	58
12501	85	102626RX	15	110205X	80	229860X	58
12509	85	102626X	15	110207X	18	276119K	90
12510	85	102684A	85	110310X	76	276270X	37
298817	84	102761RX	74	110315X	76	276272RX	37
298818	84	102761X	74	110338X	80	276272X	37
800034	35	102802K	87	110360X	18	276462RX	31
1118260	89	103009RX	16	110370X	19	276462X	31
1155715	85	103009X	16	110380X	18	276566RX	30
1155726	85	103010RX	17	110410X	18	276566X	30
1175013	85	103010X	17	110415X	18	276567RX	30
1180350	84	103028RX	17	110470X	80	276567X	30
42100200	90	103028X	17	110500RX	76	276569RX	30
90554107	47	103061RX	74	110500X	76	276569X	30
90554151	47	103061X	74	110570X	19	277147RX	48
90555396	47	103081RX	79	110700RX	76	277147X	48
90555397	47	103081X	79	110700X	76	277148RX	48
90555398	47	103294RX	17	20837K	90	277148X	48
90555409	47	103294X	17	227661X	52	277863RX	40
90555410	47	103799K	87	227672X	52	277863X	40
90555411	47	103833RX	17	228050RX	45	278998RX	40
10005ARX	80	103833X	17	228050X	45	278998X	40
10005AX	80	103912RX	15	228165RX	45	279000RX	52
101100RX	43	103912X	15	228165X	45	279000X	52
101100X	43	104240RX	30	228520RX	45	279180RX	13
101112RX	75	104240X	30	228520X	45	279180X	13
101112X	75	106284RX	12	229418K	89	279692RX	52
101197RX	79	106284X	12	229501RX	40	279692X	52
101197X	79	106941X	53	229501X	40	279787RX	32
101311RX	57	107216K	88	229505RX	56	279787X	32
101311X	57	107217K	88	229505X	56	279950RX	41
101569RX	36	109264RX	16	229507RX	56	279950X	41
101569X	36	109264X	16	229507X	56	279952RX	13
101570RX	36	109265K	87	229509RX	56	279952X	13

Part Number Index

VALVES

Part No.	Page No.	Part No.	Page No.	Part No.	Page No.	Part No.	Page No.
280375RX	13	286171X	41	288240RX	34	4721950770X	69
280375X	13	286364RX	61	288240X	34	4721950780X	69
280454RX	31	286364X	61	288241RX	34	4721950790X	69
280454X	31	286370RX	14	288241X	34	4721950800X	69
280651RX	13	286370X	14	288242RX	34	4721950810X	69
280651X	13	286371RX	14	288242X	34	4721950820X	69
280856K	87	286371X	14	288251RX	58	4721950830X	69
280857K	88	286500RX	48	288251X	58	4725001000X	64
280858K	89	286500X	48	288301X	53	4725001010X	64
281024RX	58	286773RX	42	288383RX	42	4725001020X	64
281024X	58	286773X	42	288383X	42	4725001030X	64
281126K	88	286774RX	42	288605RX	53	4725001200X	64
281127K	88	286774X	42	288605X	53	4725001210X	64
281587RX	30	286775RX	42	288721RX	34	4725001220X	65
281587X	30	286775X	42	288721X	34	4725001230X	65
281865RX	79	287072K	90	288746RX	32	4725001240X	65
281865X	79	287114RX	14	288746X	32	4725001250X	65
281923RX	63	287114X	14	289061K	89	4725002030X	65
281923X	63	287224RX	14	289144RX	57	4725002220X	65
281946RX	33	287224X	14	289144X	57	4725002230X	65
281946X	33	287238RX	35	289148RX	57	4725002240X	65
282098K	90	287238X	35	289148X	57	4725002250X	65
282134K	89	287260RX	14	289182RX	59	4725003000X	67
282499RX	30	287260X	14	289182X	59	4725003010X	67
282499X	30	287367K	88	289352K	90	4725003020X	67
282812K	87	287368K	90	289477RX	32	4725003200X	67
283040RX	38	287370K	87	289477X	32	4725003210X	67
283040X	38	287376RX	74	289500K	90	4725003220X	67
283090RX	52	287376X	74	289512RX	32	51301RX	77
283090X	52	287411RX	42	289512X	32	51321RX	77
283861K	87	287411X	42	289714RX	59	65125RX	16
283863K	89	287417RX	30	289714X	59	65125X	16
283932RX	79	287417X	30	3100X	19	65145RX	12
283932X	79	287418RX	35	4005001010KX	70	65145X	12
283935RX	38	287418X	35	4005001010X	70	65146RX	12
283935X	38	287564RX	42	4005001020X	70	65146X	12
283940RX	13	287564X	42	4005001030X	70	65154X	57
283940X	13	287600RX	30	4005001040X	70	65303RX	15
284280X	79	287600X	30	4008506020X	70	65303X	15
284760RX	42	287637RX	30	4721707970X	68	65313X	43
284760X	42	287637X	30	4721950050X	69	65395X	43
284795RX	63	287691K	90	4721950330X	70	65430X	17
284795X	63	288239RX	34	4721950520X	69	65437RX	75
286171RX	41	288239X	34	4721950760X	69	65437X	75

VALVES

Part Number Index

Part No.	Page No.	Part No.	Page No.	Part No.	Page No.	Part No.	Page No.
65439RX	75	K145157	86	KN20607	24	KN25060	45
65439X	75	K145158	86	KN20611	24	KN25061	44
6997312RX	82	K200800	88	KN20612	24	KN25080	44
6997312X	82	K200900	88	KN20615	24	KN25090	44
6997324X	82	K201100	88	KN20616	24	KN25100	44
800516RX	37	K202000	11	KN20619	25	KN25110	44
800517RX	37	K202001	11	KN20621	25	KN25120	44
800521RX	37	K202002	11	KN20622	25	KN26000RX	72
800573RX	37	K202003	11	KN20623	25	KN26000X	72
8946011322K	90	K202010	11	KN20629	25	KN26010	72
8946011332K	90	K202011	11	KN20632	24	KN26010X	72
8946062752K	70	K202013	11	KN20636	24	KN26020	72
9125X	20	K202014	11	KN20700	23	KN26020X	72
9730110210X	66	K202015	11	KN20900	84	KN26110	73
9730110220X	66	KN16743	81	KN20901	84	KN26120	73
9730110230X	66	KN20001	22	KN20902	84	KN26121	73
9730110240X	66	KN20002	22	KN20903	84	KN28030	60
9730110250X	66	KN20010	28	KN20904	85	KN28030X	60
9730110260X	66	KN20011	28	KN20951	85	KN28032	60
9730110270X	66	KN20015	28	KN21004	62	KN28034	60
9730110280X	66	KN20021	26	KN21008	62	KN28041	10
9735001040X	68	KN20022	26	KN21100	62	KN28042	7
9735001050X	68	KN20025	26	KN21102	62	KN28043	5
9735001060X	68	KN20031	27	KN21103	62	KN28054	6
A1000SX	80	KN20033	27	KN21104	62	KN28055	10
A103600X	8	KN20035	27	KN21105	62	KN28060	4
A25079	85	KN20061	29	KN21300	62	KN28060RX	4
A3546X	81	KN20080	23	KN21301	62	KN28060X	4
A4688X	81	KN20090	23	KN21302	62	KN28061	4
A75530	87	KN20110	23	KN22100	39	KN28061X	4
A83034	28	KN20541	21	KN22100X	39	KN28065	6
A83580	28	KN20542	21	KN22600	39	KN28065X	6
A86473X	8	KN20543	21	KN22610	39	KN28071	5
A86477X	8	KN20543	88	KN22620	39	KN28071RX	5
A87940	28	KN20561	21	KN23000	44	KN28071X	5
AD25079	85	KN20562	21	KN23010	44	KN28080	9
AD83034	28	KN20580	22	KN23040	44	KN28080RX	9
AD83580	28	KN20581	22	KN23060	44	KN28080X	9
AD87940	28	KN20590	22	KN23080	44	KN28085	9
K095875RX	36	KN20601	24	KN24000	61	KN28085X	9
K145151	86	KN20602	24	KN24000X	61	KN28131	3
K1451510	86	KN20603	24	KN24001	61	KN28131X	3
K1451511	86	KN20605	24	KN24003	61	KN28132	4
K1451517	86	KN20606	24	KN24100	89	KN28132X	4

Part Number Index

VALVES

Part No.	Page No.	Part No.	Page No.	Part No.	Page No.	Part No.	Page No.
KN28140	3	KN31300	49	N1178AA	49	N15791V	23
KN28140X	3	KN31400	49	N1178AC	49	N15791V	23
KN28300	7	KN31450	49	N1178BB	49	N15817A	46
KN28300X	7	KN31526	49	N1178CA	49	N15817F	46
KN28500	1	KN31527	49	N1178CB	49	N15817K	46
KN28500RX	1	KN32003	54	N1178DB	49	N15841	62
KN28500X	1	KN32005	54	N1178EC	49	N-15841-C	83
KN28510	1	KN32006	54	N1178EE	49	N15841F	62
KN28510RX	1	KN32011	54	N1178EH	49	N20837	39
KN28510X	1	KN32013	54	N13440DL	22	N20878A	61
KN28514RX	1	KN32014	54	N13440DN	22	N20879A	61
KN28514X	1	KN32040	55	N13440FB	23	N20879BA	61
KN28520	1	KN32041	55	N13526AG	44	N20928CH	27
KN28520RX	1	KN32042	55	N13526AJ	44	N20928CK	27
KN28520X	1	KN32050	54	N13526BL	44	N20928CL	27
KN28531	1	KN32060	54	N13526D	44	N20928CL	27
KN28531X	1	KN34060	51	N13526J	44	N20928CM	27
KN28550	2	KN34060X	51	N13553E	83	N20928CM	27
KN28551	2	KN34061	51	N14488AC	28	N20949CA	51
KN28600	71	KN34080X	50	N14488AE	28	N20949CF	51
KN28600RX	71	KN34090X	50	N14488R	28	N20950AA	60
KN28600X	71	KN34100X	50	N14514	85	N20950AB	60
KN28601	71	KN34101	50	N14514	85	N20950CA	60
KN28601RX	71	KN34110	50	N14514AA	84	N20952AC	55
KN28601X	71	KN34110X	50	N14514AB	84	N20952AD	55
KN28602	71	KN34111	50	N14514AC	84	N20952AE	55
KN28603	71	KN34123	50	N14514AD	84	N20954A	45
KN30100	78	KN34130	50	N14514AT	85	N20959HA	54
KN30100X	78	KN34131	50	N14515A	86	N20959KA	54
KN30200	78	KN35128	49	N14515AB	86	N20959MA	54
KN30200X	78	KN35129	49	N14515AG	86	N20959MB	54
KN30300	78	KN3546	81	N14515G	86	N20959MF	54
KN30300RX	78	KN4487	81	N14515H	86	N20959NB	54
KN30300X	78	KN4490	81	N14515L	86	N20959NC	54
KN30400	78	KN4491	81	N14515T	86	N20959ND	54
KN30400RX	78	KN4688	81	N15285M	88	N20960	26
KN30400X	78	KN4900	81	N15760G	29	N20960A	26
KN31025	83	KN5010	81	N15791D	23	N20961	26
KN31040	46	KN5015	81	N15791F	23	N20964	27
KN31050	46	KN68230	63	N15791H	23	N20966A	44
KN31060	46	KN68237	63	N15791H	23	N20966B	44
KN31070	46	KQ205450	88	N15791J	23	N20966BA	44
KN31200	49	N10044K	46	N15791T	23	N20966F	44
KN31250	49	N10083K	83	N15791T	23	N20966G	44

VALVES

Part Number Index

Part No.	Page No.	Part No.	Page No.	Part No.	Page No.	Part No.	Page No.
N20966M	44	N3613H	62	N4400M	24		
N30056BR	40	N3613S	62	N4400S	24		
N30056BW	40	N3613Z	62	RH65077X	29		
N30056BX	40	N3614AA	62	RM388X	82		
N30072FA	39	N3614AC	62	RM9001X	82		
N30072FB	39	N4301A	78	RM90DX	82		
N30072FC	39	N4301AA	78	RN10BX	90		
N30096F	4	N4301BA	78	RN10CH	90		
N30096L	4	N4301CB	78	RN10EV	90		
N30096N	9	N4304AB	71	RN10GJ	88		
N30096P	9	N4304AC	71	RN10HB	87		
N30096PA	7	N4304AD	71	RN10HH	89		
N30100AD	5	N4304AE	71	RN10HK	87		
N30100AG	3	N4305A	72	RN10HL	87		
N30100AR	6	N4305AA	72	RN10HM	87		
N30103BB	21	N4400	24	RN10HP	87		
N30105B	22	N4400A	24	RN10HT	87		
N30105C	22	N4400B	24	RN10HT	90		
N30105D	22	N4400BA	25	RN10HW	90		
N30106D	4	N4400BB	25	RN10HY	90		
N30106F	3	N4400BC	25	RN10HZ	90		
N30108AK	1	N4400C	24	RN10JM	90		
N30108BC	1	N4400D	24	RN10JP	90		
N30108BF	1	N4400DA	25	RN10JT	90		
N30108BH	1	N4400DD	25	RN10JZ	87		
N30108BK	1	N4400E	24	RN10Y	90		
N3010BL	21	N4400EA	24	RN11V	90		
N30110A	2	N4400EB	24	RN11W	90		
N30110BA	2	N4400EC	24	RN17Y	90		
N30111E	6	N4400ED	24	RN19AF	90		
N30161AH	21	N4400EE	24	RN31A	88		
N30161AJ	21	N4400EF	24	RN31BC	89		
N30162MA	50	N4400EH	24	RN31BF	88		
N30162ME	50	N4400EJ	24	RN31BM	88		
N30162MG	50	N4400EK	24	RN31BP	88		
N30162PC	50	N4400EL	25	RN34F	88		
N30162RD	50	N4400EN	25	RN34H	88		
N30162RJ	50	N4400EP	25	SN153	89		
N34031	73	N4400ER	25	SN4017A	40		
N34031A	73	N4400EZ	25	SN4017E	40		
N34031AA	73	N4400FB	24	SN4017F	40		
N3613AD	62	N4400FE	24				
N3613AV	62	N4400G	24				

PURPOSE OF THIS CATALOG

This catalog is designed as a reference for Haldex NEW and REMAN air brake system components and accessories, sold under the Haldex, Midland and Like-Nu product brands. Products described include all pertinent information needed to replace an OEM installed component or to help design an original installation. If there is a service number for a given part, it is noted in the product number table.

DESIGN FLEXIBILITY

The products presented in this catalog are described by function and usage. Technical data and mounting configurations are also provided. Throughout this catalog, reference is made to numerous specific OEM applications. This catalog is not, however, intended to be a mutually exclusive listing of all part numbers and designs available. Should the need for a design not presented occur, contact your Haldex sales representative for additional information.

WARRANTY INFORMATION

Proper service and repair are important to the safe, reliable operation of any motor vehicle. To prevent personal injury and/or vehicle damage, careful and cautious service procedures recommended by the vehicle manufacturer should be followed by anyone servicing a motor vehicle. For details on warranty of Haldex air brake system components and accessories, refer to L20221 Aftermarket Warranty Policy. For warranty returns, use the Warranty Adjustment Form. This information may be obtained by visiting the Haldex.com website. Select North America/English in drop down box and then choose Product Information tab. In the drop down menu there you will see Warranty Information and Forms.

ORDERING PROCEDURE

Most customers can place electronic orders on the haldex.com website by obtaining a username and password or by using EDI. For additional information about electronic orders or to place an order by phone or fax, contact Customer Service in U.S. or Canada at numbers listed below:

U.S. Customer Service:

Phone: 800-643-2374
Fax: 800-533-1941
Mail: Haldex Brake Products Corporation
Attn: Customer Service Department
10930 N. Pomona Ave.
Kansas City, MO 64153

Canada Customer Service:

Phone: 800-267-9247
Fax: 519-621-3924
Mail: Haldex Limited
Canadian Distribution Centre
Attn: Customer Service Department
500 Pinebush Road, Unit 1
Cambridge, Ontario N1T 0A5

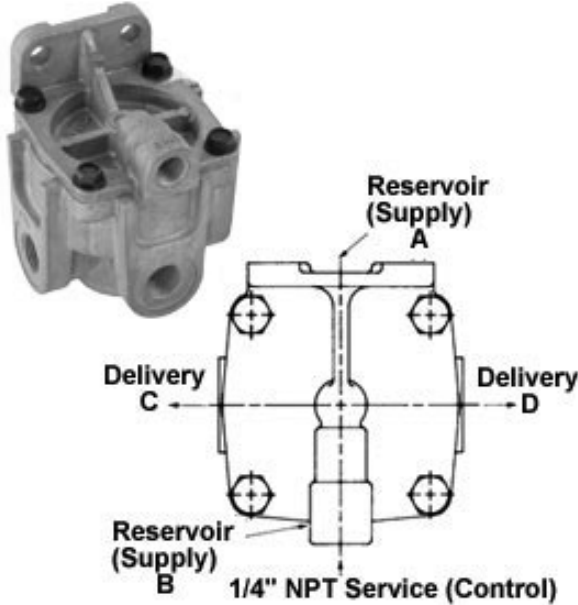
IMPORTANT NOTICE

The data listed herein is correct to the best of Haldex's knowledge and belief, having been compiled from reliable and official sources of information. However, HALDEX CANNOT ASSUME ANY RESPONSIBILITY for possible error or misapplication of the product. Final determination of the suitability of the products for the use contemplated by the Buyer is the sole responsibility of the Buyer. Haldex shall have no responsibility in connection with this suitability. It is not our intention to imply that any of the components in this catalog in connection with an engine make or model are made by any engine manufacturer.

Copyright 2020
Haldex Brake Products Corporation
10930 N. Pomona Ave.
Kansas City, MO 64153

All rights reserved.
Materials may only be reproduced with written permission of Haldex.

Haldex (New and Remanufactured) RG2 - 2-Port Trailer Valve



Features:

- A fast relay used to apply and release service brakes on tractor or trailer
- 2-Port delivery
- Cover may be rotated without affecting performance or warranty
- Control position is in relationship to delivery ports

Specifications:

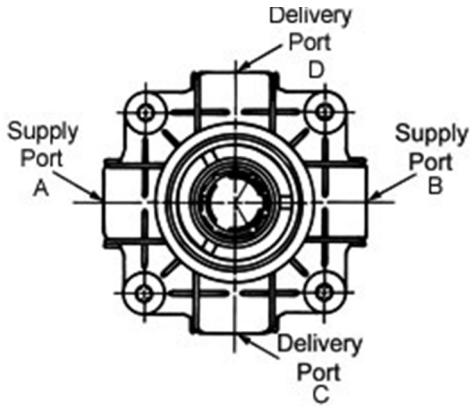
Width:	3 1/2"
Length:	3 1/2"
Height:	3 5/8"
Control Port:	1/4"
Crack Pressure:	5.6 ± 1.0 PSI
Mounting Holes (2):	.34" diameter on 1.50" centers
Approximate Weight:	1.5 lbs.

Notes:

- 1) Repair Kit use RN10HM.
- 2) Picture illustrates 90° control port position. 0° would locate port in line with delivery port D.

Service Part No.	Product Description	Sup. A	Sup. B	Del. C	Del. D	Control Position	Plugs Included	OEM Part Number	Core Group
KN28500	RG2 Relay Valve	3/8"	3/8"	3/8"	3/8"	90°	3/8" (1)	N30108BC	-
KN28500RX	Remanufactured. RG2 Relay Valve - CoreFree	3/8"	3/8"	3/8"	3/8"	90°	3/8" (1)	N30108BC	-
KN28500X	Remanufactured. RG2 Relay Valve	3/8"	3/8"	3/8"	3/8"	90°	3/8" (1)	N30108BC	225
KN28510	RG2 Relay Valve	3/8"	1/2"	3/8"	3/8"	90°	1/2" (1) 3/8" (1)	N30108BK	-
KN28510RX	Remanufactured. RG2 Relay Valve - CoreFree	1/2"	-	3/8"	3/8"	90°	3/8" (1)	N30108AK	-
KN28510X	Remanufactured. RG2 Relay Valve	1/2"	-	3/8"	3/8"	90°	3/8" (1)	N30108AK	225
KN28514RX	Remanufactured. RG2 Relay Valve - CoreFree	1/2"	3/8"	3/8"	3/8"	90°	1/2" (1) 3/8" (1)	N30108BK	-
KN28514X	Remanufactured. RG2 Relay Valve	1/2"	3/8"	3/8"	3/8"	90°	1/2" (1) 3/8" (1)	N30108BK	225
KN28520	RG2 Relay Valve	1/2"	1/2"	1/2"	1/2"	90°	1/2" (1)	N30108BF	-
KN28520RX	Remanufactured. RG2 Relay Valve - CoreFree	1/2"	1/2"	1/2"	1/2"	90°	1/2" (1)	N30108BF	-
KN28520X	Remanufactured. RG2 Relay Valve	1/2"	1/2"	1/2"	1/2"	90°	1/2" (1)	N30108BF	225
KN28531	RG2 Relay Valve	1/2"	3/8"	3/8"	3/8"	0°	-	N30108BH	-
KN28531X	Remanufactured. RG2 Relay Valve	1/2"	3/8"	3/8"	3/8"	0°	-	N30108BH	225

Haldex (New and Remanufactured) RG5 - 2-Port Trailer Valve



Features:

- Used on 2 tank, 3 valve trailer systems and tractor applications
- Made of durable Engineering Grade Composite (EGC)
- Corrosion and rust proof
- All ports feature molded-in identification
- Interchangeable with competitive valves
- Compact Size

Specifications:

Width:	3 3/8"
Length:	3 3/8"
Height:	2 3/4"
Crack Pressure:	6.0 PSI
Approximate Weight:	8 lbs.

Notes:

- 1) Repair Kit not available.
- 2) Bracket 102008HC not sold separately.

Service Part No.	Product Description	Supply A	Supply B	Delivery C	Delivery D	Control Port	Bracket Included	OEM Part Number
KN28550	RG5 – 2 Delivery Port Relay Valve	1/2" x 3/8" nipple installed at factory	Plugged	3/8"	3/8"	1/4"	No	N30110A
KN28551	RG5 – 2 Delivery Port Relay Valve	Plugged	3/8"	3/8"	3/8"	1/4"	Yes	N30110BA

**Haldex (New and Remanufactured)
2-Port Single Control Line**



Features:

- 2-Port delivery
- Cover may be rotated without affecting performance or warranty
- Multi-Application valve
- Replaces many Haldex OEM numbers
- Used to apply and release service brakes on tractor or trailer

Specifications:

Approximate Weight: 3 lbs.

Notes:

- 1) Bracket K202002 available separately.
- 2) Includes bushings and plugs to match OEM production valves.
- 3) Repair Kit use Part Number RN10HK.

Service Part No.	Product Description	Supply (2)	Delivery (2)	Control (1)	Crack Pressure	Notes	OEM Part Number	Core Group
KN28131	Relay Valve – Two Port - Single Control Line	1/2"	1/2"	1/4"	4.6 PSI	Includes K202000 Bracket	N30106F	-
KN28131X	Remanufactured Relay Valve – Two Port – Single Control Line	1/2"	1/2"	1/4"	4.0 ± 1 PSI	Bracket not included use K202000. Replacement for KN28130X.	N30106F	225
KN28140	Relay Valve – Two Port - Single Control Line	1/2"	1/2"	1/4"	4.6 PSI	Includes K202000 Bracket	N30100AG	-
KN28140X	Remanufactured Relay Valve – Two Port – Single Control Line	1/2"	1/2"	1/4"	4.0 ± 1 PSI	Bracket not included	N30100AG	225

Haldex (New and Remanufactured) 2-Port with Integral Bracket



Features:

- 2-Port delivery
- Used to apply and release service brakes on tractor or trailer
- Cover may be rotated without affecting performance or warranty

Specifications:

Approximate Weight:

Mounting Centers: 5/16" on 1 1/2"

Service Part No.	Product Description	Supply	Delivery	Control	Crack Pressure	Repair Kit	OEM Part Number	Core Group
KN28060	Relay Valve – Two Port – Single Control Line with Integral Bracket	1/2" (2)	3/8" (2)	3/8"	4.6 PSI	RN10HK	N30096F	–
KN28060RX	Remanufactured Relay Valve with Two Delivery Ports – CoreFree	1/2" (2)	3/8" (2)	3/8"	4.6 ± 1.5 PSI	RN10HK	N30096F	–
KN28060X	Remanufactured Relay Valve with Two Delivery Ports	1/2" (2)	3/8" (2)	3/8"	4.6 ± 1.5 PSI	RN10HK	N30096F	225
KN28061	Relay Valve – Two Port – Single Control Line with Integral Bracket	1/2" (2)	1/2" (2)	3/8"	4.6 PSI	RN10HK	N30096L	–
KN28061X	Remanufactured Relay Valve with Two Delivery Ports	1/2" (2)	1/2" (2)	3/8"	4.6 ± 1.5PSI	RN10HK	N30096L	225
KN28132	Relay Valve – Two Port – Single Control Line with Integral Bracket	1/2" (2)	1/2" (2)	3/8"	7.0 PSI	RN10HB	N30106D	–
KN28132X	Remanufactured Relay Valve with Two Delivery Ports	1/2" (2)	1/2" (2)	3/8"	7.0 ± 1.5 PSI	RN10HB	N30106D	225

Haldex (New and Remanufactured) 2-Port with Anti-Compounding



Features:

- Multi-application valve
- Replaces many Haldex OEM numbers
- Built-in anti-compounding two-way check valve for spring brake control
- Cover may be rotated without affecting performance or warranty

Specifications:

Approximate Weight: 3 lbs.

Notes:

- 1) Includes bushings and plugs to match OEM production valves.
- 2) Brackets available separately.
- 3) Repair Kit use Part Number RN10HK.

Service Part No.	Product Description	Supply	Delivery	Control	Crack Pressure	Notes	OEM Part Number	Core Group
KN28043	Haldex Relay Valve – Two Port with Anti-Compounding	1/2" (2)	1/2" (2)	3/8"(1) 1/4" (1)	4.6 PSI	Bracket not included use K202000	Various	–
KN28071	Haldex Relay Valve – Two Delivery Ports – with Anti-Compounding	1/2" (2)	1/2" (2)	1/4"(1) 1/8" (1)	4.6 PSI	Includes K202000 Bracket	N30100AD	–
KN28071RX	Haldex Remanufactured Relay Valve with Two Delivery Ports – CoreFree	1/2"(2)	1/2"(2)	1/4"(1) 1/8" (1)	4.0 ± 1 PSI	Bracket not included use K202000	N30100AD	–
KN28071X	Haldex Remanufactured Relay Valve with Two Delivery Ports	1/2" (2)	1/2" (2)	1/4"(1) 1/8" (1)	4.0 ± 1 PSI	Bracket not included use K202000	N30100AD	225

Haldex (New and Remanufactured) 2-Port with Anti-Compounding - Dual Crack Pressure



Features:

- Primary biased crack pressure

Specifications:

Approximate Weight: 3 lbs.

Notes:

- 1) Replacing with single crack pressure valve not recommended.
- 2) Supplied with Bracket - K202000.
- 3) Repair Kit use Part Number RN10JZ.

Service Part No.	Product Description	Supply	Delivery	Control	Primary Crack Pressure	Secondary Crack Pressure	OEM Part Number	Core Group
KN28054	Haldex Relay Valve Two Port – with Anti-Compounding Dual Crack Pressure	1/2" (2)	1/2" (2)	1/4" (2)	4.6 PSI	9.6 PSI	N30111E	-

Haldex (New and Remanufactured) 2-Port without Anti-Compounding - Dual Control



Features:

- 2-Port delivery
- Dual control ports
- Cover may be rotated without affecting performance or warranty
- Used to apply and release service brakes on tractor or trailer

Specifications:

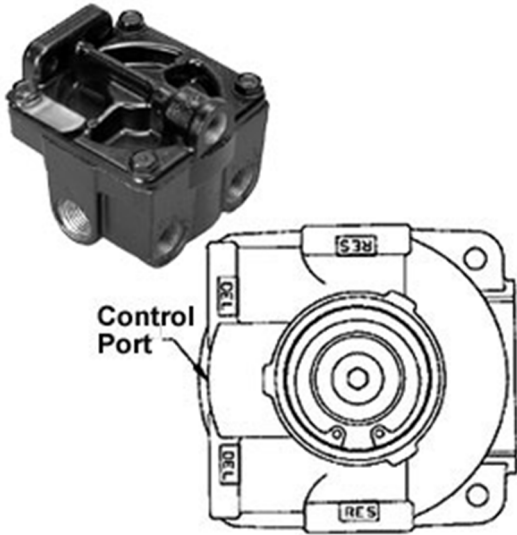
Approximate Weight: 3 lbs.

Notes:

- 1) Repair Kit use Part Number RN10HK.

Service Part No.	Product Description	Supply	Delivery	Control	Crack Pressure	Notes	OEM Part Number	Core Group
KN28065	Haldex Relay Valve – Two Port without Anti-Compounding Dual Control	1/2" (2)	1/2" (2)	1/4" (2)	4.6 PSI	Includes K202000 Bracket	N30100AR	-
KN28065X	Haldex Relay Valve – Two Port without Anti-Compounding Dual Control	1/2" (2)	1/2" (2)	1/4" (2)	4.6 ± 1 PSI	Bracket not included use K202000	N30100AR	225

**Haldex (New and Remanufactured)
2-Port - Fast Air Balancing (FAB)**



Features:

- Speedup or fast air relay
- Used on converter dollies, long wheel base and towing trailers to accelerate control signal and meet FMVSS-121 pressure differential requirements
- Cover may be rotated without affecting performance or warranty
- Replaces Bendix R8P or R12P

Specifications:

Approximate Weight: 2.5 lbs.
Two Mounting Holes: .34" diameter on 1.50" centers

Notes:

- 1) Repair Kit use Part Number RN10HT.

Service Part No.	Product Description	Supply	Delivery	Control	Crack Pressure/Differential	OEM Part Number	Core Group
KN28300	Haldex FAB Relay Valve – Fast Air Dolly - Two Delivery Ports	1/2" (2)	1/2" (2)	3/8"	0 PSI	N30096PA	–
KN28300X	Haldex Remanufactured FAB Relay Valve - Two Delivery Ports	1/2" (2)	1/2" (2)	3/8"	0 PSI	N30096PA	225

**Haldex (New and Remanufactured)
4-Port Single Control Line**



Features:

- 4-Port delivery
- Multi-application valve
- Replaces many Haldex OEM numbers
- Cover may be rotated without affecting performance or warranty

Specifications:

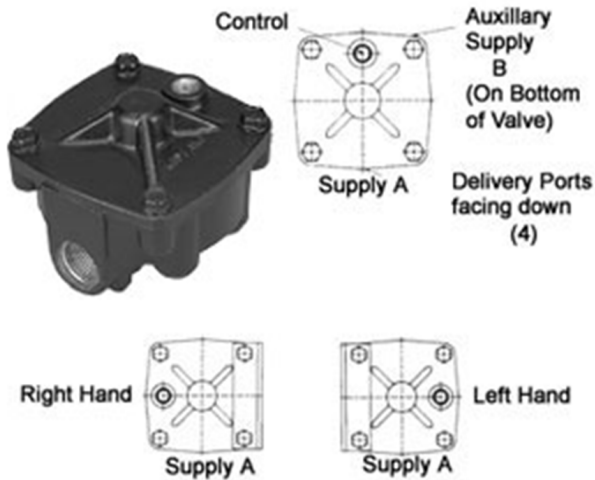
Approximate Weight: 3 lbs.

Notes:

- 1) Brackets available separately.
- 2) Includes bushings and plugs to match OEM production valves.
- 3) Repair Kit use Part Number RN10HK.

Service Part No.	Product Description	Supply	Delivery	Control	Crack Pressure	Notes	OEM Part Number	Core Group
KN28042	Haldex Relay Valve – Four Port Single Control Line	1/2" (2)	1/2" (4)	1/4"	4.6 PSI	Bracket not included	Various	–

Haldex (New and Remanufactured) 4-Port - Vertical Ports



Features:

- 4 delivery ports facing down
- Low differential - high capacity
- Meets or exceeds FMVSS-121 Requirements
- Used to apply and release service brakes on tractor or trailer
- Cover may be rotated without affecting performance or warranty

Specifications:

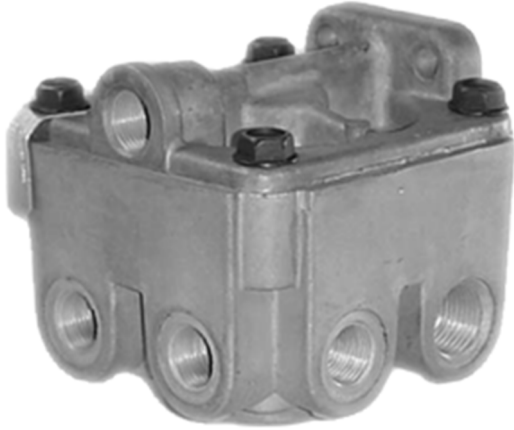
Approximate Weight: 3 lbs.
Mounting Holes: 3/8" diameter on 2 1/2" centers

Notes:

- 1) The auxiliary supply port "B" on A103600X may be used for air suspensions or other accessories requiring reservoir air.
- 2) Repair Kit use Part Number RN10HP.

Service Part No.	Product Description	Supply (A)	Supply (B)	Delivery	Control	Crack Pressure	Notes	OEM Part Number	Core Group
A103600X	Remanufactured RF Relay Valve 4 Vertical Ports	3/4"	Plugged	3/8" (4)	1/4"	3.0 ± 1 PSI	Mtg. Bracket Not Included	-	225
A86473X	Remanufactured RF Relay Valve 4 Vertical Ports	1/2"	Not Drilled No Thread	1/2" (4)	1/4"	3.0 ± 1 PSI	Mtg. Bracket Not Included	-	225
A86477X	Remanufactured RF Relay Valve 4 Vertical Ports	3/4"	Plugged	1/2" (4)	1/4"	3.0 ± 1 PSI	Mtg. Bracket Not Included	-	225

**Haldex (New and Remanufactured)
4-Port with Integral Bracket**



Features:

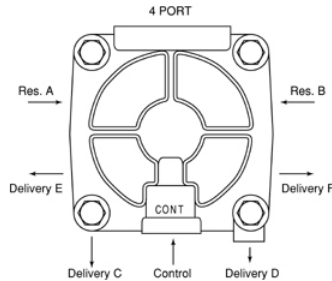
- 4-Port delivery
- Popular replacement for competitive valves
- Used to apply and release service brakes on tractor or trailer
- Cover may be rotated without affecting performance or warranty

Specifications:

Approximate Weight: 3 lbs.
Mounting Centers: 5/16" on 1 1/2"

Service Part No.	Product Description	Supply	Delivery	Control	Crack Pressure	Notes	OEM Part Number	Core Group
KN28080	Relay Valve – Four Port Single Control Line with Integral Bracket	1/2" (2)	3/8" (4)	3/8"	7.0 PSI	Use Repair Kit RN10HB	N30096N	–
KN28080RX	Relay Valve – Four Port Single Control Line with Integral Bracket CoreFree	1/2" (2)	3/8" (4)	3/8"	7.0 ± 1 PSI	Use Repair Kit RN10HB	N30096N	–
KN28080X	Relay Valve – Four Port Single Control Line with Integral Bracket	1/2" (2)	3/8" (4)	3/8"	7.0 ± 1 PSI	Use Repair Kit RN10HB	N30096N	225
KN28085	Relay Valve – Four Port Single Control Line with Integral Bracket	1/2" (2)	3/8" (4)	3/8"	4.6 PSI	Use Repair Kit RN10HK	N30096P	–
KN28085X	Relay Valve – Four Port Single Control Line with Integral Bracket	1/2" (2)	3/8" (4)	3/8"	4.6 ± 1.5 PSI	Use Repair Kit RN10HK	N30096P	225

Haldex (New and Remanufactured) 4-Port With Anti-Compounding



Features:

- Multi-application valve
- Replaces many Haldex OEM Numbers
- Cover may be rotated without affecting performance or warranty

Specifications:

Approximate Weight: 3 lbs.

Notes:

- 1) Bracket available separately.
- 2) Includes bushings and plugs to match OEM valve production.
- 3) Repair Kit use Part Number RN10HK.

Service Part No.	Product Description	Supply	Delivery	Control	Crack Pressure	Notes	OEM Part Number	Core Group
KN28041	Relay Valve – Four Port – with Anti-compounding	1/2" (2)	1/2" (4)	1/4" (2)	4.6 PSI	Bracket not included.	Various	–

Haldex (New and Remanufactured) 4-Port with Anti-Compounding - Dual Crack Pressure



Features:

- 4-Port delivery
- Primary biased crack pressure
- Multi-application valve
- Replaces many Haldex OEM numbers

Specifications:

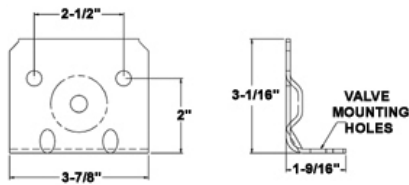
Approximate Weight: 3 lbs.

Notes:

- 1) Brackets available separately.
- 2) Replacing with single crack pressure valve not recommended.
- 3) Repair Kit use Part Number RN10JZ.

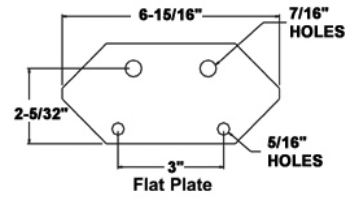
Service Part No.	Product Description	Supply	Delivery	Control	Primary Crack Pressure	Secondary Crack Pressure	OEM Part Number	Core Group
KN28055	Relay Valve – Four Port with Anti-Compounding Dual Crack Pressure	1/2" (2)	1/2" (4)	1/4" (2)	4.6 PSI	9.6 PSI	Various	–

Haldex (New and Remanufactured) Mounting Brackets for Relay Valves



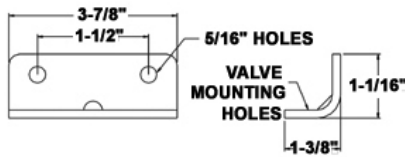
Service Part # Used on Valve Part Numbers

K202000	KN27043	KN28043	KN28065X	KN28131X
	KN27500	KN28054	KN28071	KN28140
	KN27501	KN28056	KN28071RX	KN28140X
	KN27502	KN28064	KN28071X	
	KN28041	KN28065	KN28131	



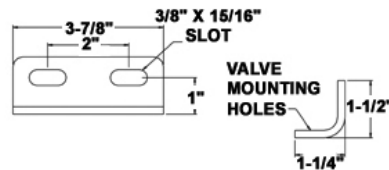
Service Part # Used on Valve Part Numbers

K202011	KN28043
---------	---------



Service Part # Used on Valve Part Numbers

K202001	KN28043
	KN28071
	KN28071X



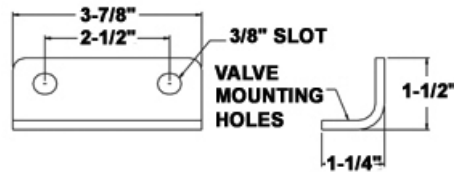
Service Part # Used on Valve Part Numbers

K202013	KN28064
---------	---------



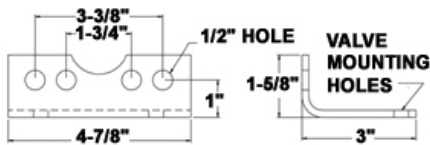
Service Part # Used on Valve Part Numbers

K202002	KN28131
	KN28131X



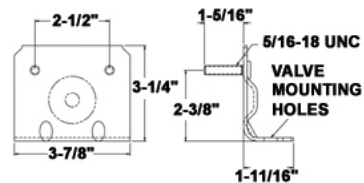
Service Part # Used on Valve Part Numbers

K202014	KN28041
	KN28042
	KN28055



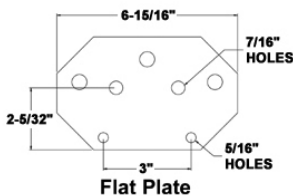
Service Part # Used on Valve Part Numbers

K202003	KN28042
	KN28043
	KN28055



Service Part # Used on Valve Part Numbers

K202015	KN28042
---------	---------



Service Part # Used on Valve Part Numbers

K202010	KN28042
	KN28043
	KN28055

Competitive (New and Remanufactured) Bendix® BP-1



Features:

- Reduces the braking effort on the rear axles

Specifications:

Approximate Weight: .9 lbs.

Notes:

- 1) Repair Kit not available.

Service Part No.	Product Description	Supply	Delivery	Control	Nominal Inshot PSI	Notes	OEM Part Number	Core Group
106284RX	Remanufactured Bendix BP-1 Rear Air Brake Proportioning Relay Valve - CoreFree	3/8"	3/8"	1/8"	8.0 PSI	Nominal Equalizing PSI 105	-	-
106284X	Remanufactured Bendix BP-1 Rear Air Brake Proportioning Relay Valve	3/8"	3/8"	1/8"	8.0 PSI	Nominal Equalizing PSI 105	-	145LQ5

Competitive (New and Remanufactured) Bendix® BP-R1



Features:

- 4-Port delivery
- Designed for use on tractor only
- Functions as a standard relay valve and a proportioning valve

Specifications:

Approximate Weight: 2.6 lbs.

Notes:

- 1) Repair Kit not available.

Service Part No.	Product Description	Supply	Delivery	Control	Service	Crack Pressure	OEM Part Number	Core Group
65145RX	Remanufactured Bendix BP-R1 Bobtail Brake Proportioning Relay Valve - CoreFree	1/2 "	3/8" FPT Side (2) 3/8" FPT Bottom (2)	1/8"	1/4"	4.0 PSI	-	-
65145X	Remanufactured Bendix BP-R1 Bobtail Brake Proportioning Relay Valve - CoreFree	1/2 "	3/8" FPT Side (2) 3/8" FPT Bottom (2)	1/8"	1/4"	4.0 PSI	-	BPR-1
65146RX	Remanufactured Bendix BP-R1 Bobtail Brake Proportioning Relay Valve - CoreFree	1/2 "	3/8" FPT Side (2) 3/8" FPT Bottom (2)	1/8"	1/4"	5.5 PSI	-	-
65146X	Remanufactured Bendix BP-R1 Bobtail Brake Proportioning Relay Valve - CoreFree	1/2 "	3/8" FPT Side (2) 3/8" FPT Bottom (2)	1/8"	1/4"	5.5 PSI	-	BPR-1

**Competitive (New and Remanufactured)
Bendix® R-6**



Features:

- 4-Port delivery

Specifications:

Approximate Weight: 2.5 lbs.

Notes:

- 1) Repair Kit use Part Number 280856K.

Service Part No.	Product Description	Supply	Delivery	Control	Crack Pressure	Notes	OEM Part Number	Core Group
279180RX	Remanufactured Bendix R-6 Relay Valve - CoreFree	3/8" (2)	3/8" (4)	1/4"	2.0 PSI	180° Service Port	-	-
279180X	Remanufactured Bendix R-6 Relay Valve	3/8" (2)	3/8" (4)	1/4"	2.0 PSI	180° Service Port	-	121RLV
279952RX	Remanufactured Bendix R-6 Relay Valve - CoreFree	1 @ 3/4" 1 @ 3/8"	3/8" (4)	1/4"	2.0 PSI	180° Service Port	-	-
279952X	Remanufactured Bendix R-6 Relay Valve	1 @ 3/4" 1 @ 3/8"	3/8" (4)	1/4"	2.0 PSI	180° Service Port	-	121RLV
280375RX	Remanufactured Bendix R-6 Relay Valve - CoreFree	1/2" (2)	3/8" (4)	1/4"	2.0 PSI	90° Service Port	-	-
280375X	Remanufactured Bendix R-6 Relay Valve	1/2" (2)	3/8" (4)	1/4"	2.0 PSI	90° Service Port	-	121RLV
280651RX	Remanufactured Bendix R-6 Relay Valve - CoreFree	1 @ 3/4" 1 @ 3/8"	3/8" (4)	1/4"	2.0 PSI	Includes pipe plugs and gasket 180° Service Port	-	-
280651X	Remanufactured Bendix R-6 Relay Valve	1 @ 3/4" 1 @ 3/8"	3/8" (4)	1/4"	2.0 PSI	Includes pipe plugs and gasket 180° Service Port	-	121RLV
283940RX	Remanufactured Bendix R-6 Relay Valve - CoreFree	3/8" (2)	3/8" (4)	1/4"	2.0 PSI	Ford applicaiton 270° Service Port	-	-
283940X	Remanufactured Bendix R-6 Relay Valve	3/8" (2)	3/8" (4)	1/4"	2.0 PSI	Ford application 270° Service Port	-	121RLV

Competitive (New and Remanufactured) Bendix® R-8



Features:

- 2- and 3-Port delivery
- 1/8" balance port located under the exhaust cover
- Controls spring brakes and service brakes

Specifications:

Approximate Weight: 3.3 lbs.
Crack Pressure: 3.0 PSI

Notes:

1) Repair Kit use Part Number 287370K.

Service Part No.	Product Description	Supply	Delivery	Control	Port Rotation	Notes	OEM Part Number	Core Group
286370RX	Remanufactured Bendix R-8 Relay Valve - CoreFree	3/4" (2) 1/4" (1)	1/2" (2)	1/4"	90°	-	-	-
286370X	Remanufactured Bendix R-8 Relay Valve	3/4" (2) 1/4" (1)	1/2" (2)	1/4"	90°	-	-	121RLV
286371RX	Remanufactured Bendix R-8 Relay Valve - CoreFree	3/4" (2)	1/2" (2) 1/4" (1)	1/4"	90°	No Exhaust Cover	-	-
286371X	Remanufactured Bendix R-8 Relay Valve	3/4" (2)	1/2" (2) 1/4" (1)	1/4"	90°	No Exhaust Cover	-	121RLV
287224RX	Remanufactured Bendix R-8 Relay Valve - CoreFree	3/4"	1/2" (2) 1/4" (1)	1/4"	270°	-	-	-
287224X	Remanufactured Bendix R-8 Relay Valve	3/4"	1/2" (2) 1/4" (1)	1/4"	270°	-	-	121RLV
287260RX	Remanufactured Bendix R-8 Relay Valve - CoreFree	3/4" (2) 1/4" (1)	1/2" (2)	1/4"	180°	No Exhaust Cover	-	-
287260X	Remanufactured Bendix R-8 Relay Valve	3/4" (2) 1/4" (1)	1/2" (2)	1/4"	180°	No Exhaust Cover	-	121RLV

Competitive (New and Remanufactured) Bendix® R-8P



Features:

- 3-Port delivery
- Designed for use on semitrailer converter dollies

Specifications:

Approximate Weight: 3 lbs.

Notes:

1) Repair Kit use Part Number 103799K.

Service Part No.	Product Description	Supply	Delivery	Control	Crack Pressure	Notes	OEM Part Number	Core Group
287114RX	Remanufactured Bendix R-8P Pressure Equalizing Relay Valve - CoreFree	3/4" (2)	1/2" (2) 1/4" (1)	1/4"	0 PSI	-	-	-
287114X	Remanufactured Bendix R-8P Pressure Equalizing Relay Valve	3/4" (2)	1/2" (2) 1/4" (1)	1/4"	0 PSI	-	-	121RLV

Competitive (New and Remanufactured) Bendix® R-12



Features:

- 4-Port delivery
- Vertical mount

Specifications:

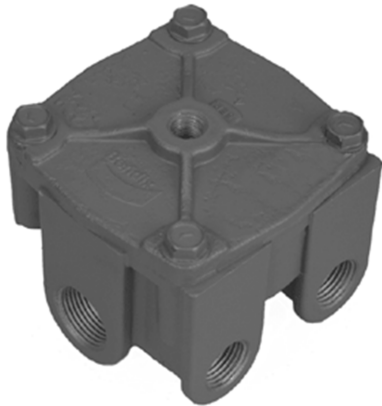
Approximate Weight: 2.0 lbs.

Notes:

- 1) Repair Kit use Part Number 102802K.

Service Part No.	Product Description	Supply	Delivery	Control	Crack Pressure	Notes	Picture Number	Core Group
102165RX	Remanufactured Bendix R-12 Relay Valve - CoreFree	1/2"	3/8" (4)	1/4"	4.0 PSI	-	1	-
102165X	Remanufactured Bendix R-12 Relay Valve	1/2"	3/8" (4)	1/4"	4.0 PSI	-	1	121RLV
102626RX	Remanufactured Bendix R-12 Relay Valve - CoreFree	1/2"	1/2" (4)	1/4"	4.0 PSI	-	1	-
102626X	Remanufactured Bendix R-12 Relay Valve	1/2"	1/2" (4)	1/4"	4.0 PSI	-	1	121RLV
103912RX	Remanufactured Bendix R-12 Relay Valve - CoreFree	1/2"	1/2" (4)	1/4"	7.5 PSI	-	1	-
103912X	Remanufactured Bendix R-12 Relay Valve	1/2"	1/2" (4)	1/4"	7.5 PSI	-	1	121RLV
65303RX	Remanufactured Bendix R-12 Relay Valve - CoreFree	1/2"	3/8" (2) Vertical (2) Horiz.	1/4"	4.0 PSI	Bendix 108281 International 1684489C91	2	-
65303X	Remanufactured Bendix R-12 Relay Valve	1/2"	3/8" (2) Vertical (2) Horiz.	1/4"	4.0 PSI	Bendix 108281 International 1684489C91	2	121RLV

Competitive (New and Remanufactured) Bendix® R-12H



Features:

- 2-Port delivery located on the side of the valve
- Horizontal mount

Specifications:

Approximate Weight: 2 lbs.

Notes:

- 1) Repair Kit use Part Number 102802K.

Service Part No.	Product Description	Supply	Delivery	Control	Crack Pressure	Notes	OEM Part Number	Core Group
103009RX	Remanufactured Bendix R-12H Relay Valve - CoreFree	3/4" (2)	1/2" (2)	1/4"	4.0 PSI	-	-	-
103009X	Remanufactured Bendix R-12H Relay Valve	3/4" (2)	1/2" (2)	1/4"	4.0 PSI	-	-	121RLV
65125RX	Remanufactured Bendix R-12H Relay Valve - CoreFree	1/2" (2)	1/2" (2)	1/4"	5.5 PSI	-	-	-
65125X	Remanufactured Bendix R-12H Relay Valve	1/2" (2)	1/2" (2)	1/4"	5.5 PSI	-	-	121RLV

Competitive (New and Remanufactured) Bendix® R-12P



Features:

- 4-Port delivery located on side of the valve
- Pilot relay valve

Specifications:

Approximate Weight: 2.3 lbs.

Notes:

- 1) Repair Kit use 109265K.

Service Part No.	Product Description	Supply (2)	Delivery (4)	Control (1)	Crack Pressure	Notes	OEM Part Number	Core Group
109264RX	Remanufactured Bendix R-12P Pilot Relay Valve - CoreFree	1/2"	3/8"	1/4"	n/a	-	-	-
109264X	Remanufactured Bendix R-12P Pilot Relay Valve	1/2"	3/8"	1/4"	n/a	-	-	121RLV

**Competitive (New and Remanufactured)
Bendix® R-14**



1) 4-Port Delivery
Bottom of Valve

2) 4-Port Delivery
2 Vertical; 2 Horizontal

Features:

- 4-Port delivery
- Vertical mount
- 1/8" balance port located under the exhaust cover
- Controls spring brakes and service brakes

Specifications:

Approximate Weight: 2.7 lbs.

Notes:

- 1) Repair Kit use Part Number 102802K.

Service Part No.	Product Description	Supply (1)	Delivery (4)	Control (1)	Crack Pressure	Notes	OEM Part Number	Core Group
103028RX	Remanufactured Bendix R-14 Relay Valve - CoreFree	1/2"	1/2"	1/4"	4 PSI	Picture 1	-	-
103028X	Remanufactured Bendix R-14 Relay Valve	1/2"	1/2"	1/4"	4 PSI	Picture 1	-	121RLV
103833RX	Remanufactured Bendix R-14 Relay Valve - CoreFree	1/2"	1/2"	1/4"	7.5 PSI	Picture 1	-	-
103833X	Remanufactured Bendix R-14 Relay Valve	1/2"	1/2"	1/4"	7.5 PSI	Picture 1	-	121RLV
65430X	Remanufactured Bendix R-14 Relay Valve	1/2"	3/8" 2 vertical 2 horizontal	1/4"	4 PSI	Picture 2	-	121RLV

**Competitive (New and Remanufactured)
Bendix® R-14H**



Features:

- 2-Port delivery
- Horizontal mount
- 1/8" balance port located under the exhaust cover
- Controls spring brakes and service brakes

Specifications:

Approximate Weight: 2.6 lbs.

Notes:

- 1) Repair Kit use Part Number 102802K.

Service Part No.	Product Description	Supply (2)	Delivery (2)	Control (1)	Crack Pressure	Notes	OEM Part Number	Core Group
103010RX	Remanufactured Bendix R-14H Relay Valve - CoreFree	3/4"	1/2"	1/4"	4 PSI	-	-	-
103010X	Remanufactured Bendix R-14H Relay Valve	3/4"	1/2"	1/4"	4 PSI	-	-	121RLV
103294RX	Remanufactured Bendix R-14H Relay Valve - CoreFree	3/4"	1/2"	1/4"	5.5 PSI	-	-	-
103294X	Remanufactured Bendix R-14H Relay Valve	3/4"	1/2"	1/4"	5.5 PSI	-	-	121RLV

Competitive (New and Remanufactured) Sealco Ratio Relay



Features:

- 4-Port delivery
- Used on trailers only to apply and release service brakes

Specifications:

Approximate Weight: 3.9 lbs.

Notes:

- 1) Repair Kit not available.

Service Part No.	Product Description	Supply (1)	Delivery (4)	Control (1)	Reservoir (1)	Crack Pressure	OEM Part Number	Core Group
110139X	Remanufactured Sealco Ratio Relay Valve	3/8"	3/8"	3/8"	3/4"	4.5 PSI	-	210

Competitive (New and Remanufactured) Sealco Relay



Features:

- 2- and 4-Port delivery
- Used to apply and release service brakes on trailers
- Nipple Mount

Specifications:

Approximate Weight: 2 lbs.

Notes:

- 1) Repair Kit not available.

Service Part No.	Product Description	Reservoir	Delivery	Control	Crack Pressure	Notes	OEM Part Number	Core Group
110207X	Remanufactured Sealco Relay Valve	1/2" (2)	3/8" (1) 1/2" (1)	3/8" (2)	5.5 PSI	-	-	210
110360X	Remanufactured Sealco Relay Valve	1/2"	3/8" (2)	3/8"	1.5 PSI	Low opening valve	-	210
110380X	Remanufactured Sealco Relay Valve	3/4"	3/8" (4)	3/8"	1.5 PSI	Low opening valve	-	210
110410X	Remanufactured Sealco Relay Valve	1/2"	3/8" (2)	3/8"	4.0 PSI	-	-	210
110415X	Remanufactured Sealco Relay Valve	3/4"	3/8" (4)	3/8"	4.0 PSI	-	-	210

**Competitive (New and Remanufactured)
Sealco Control Line**



Features:

- 2-Port delivery
- Used on converter dollies to speed the tractor control signal to the rear trailer(s) service brakes

Specifications:

110370X Approx. Weight: 3.4 lbs.
110570X Approx. Weight: 2.9 lbs.

Notes:

- 1) Repair Kit not available.

Service Part No.	Product Description	Supply	Delivery	Control	Crack Pressure	Notes	OEM Part Number	Core Group
110370X	Remanufactured Sealco Control Line Relay Valve	1/2"	3/8" (2)	3/8"	0 PSI	Bracket not supplied	-	210
110570X	Remanufactured Sealco Control Line Relay Valve	1/2"	3/8" (2)	3/8"	0 PSI	Bracket not supplied	-	210

**Competitive (New and Remanufactured)
Sealco Mini Relay**



Features:

- Two-port delivery
- Used to apply and release service brakes on tractor or trailer

Specifications:

Approximate Weight: 2.7 lbs.

Notes:

- 1) Repair Kit not available.

Service Part No.	Product Description	Reservoir	Delivery	Control	Crack Pressure	Notes	OEM Part Number	Core Group
3100X	Remanufactured Sealco Mini Relay Valve	3/8"	1/4" (2)	1/4" (2)	2.5 PSI	-	-	210

Competitive (New and Remanufactured) Sealco Trailer Relay



Features:

- 2-Port delivery
- Used to apply and release service brakes on tractor or trailer

Specifications:

Approximate Weight: 3.4 lbs.

Notes:

- 1) Repair Kit not available.

Service Part No.	Product Description	Reservoir	Delivery	Control	Crack Pressure	Notes	OEM Part Number	Core Group
110197RX	Remanufactured Sealco Trailer Relay Valve - CoreFree	1/2"	3/8" (2)	3/8" (2)	4.0 PSI	-	-	-
110197X	Remanufactured Sealco Trailer Relay Valve	1/2"	3/8" (2)	3/8" (2)	4.0 PSI	-	-	210

Competitive (New and Remanufactured) Sealco 3-Port Delivery



Features:

- 3-port delivery
- Used to apply and release service brakes on tractor or trailer

Specifications:

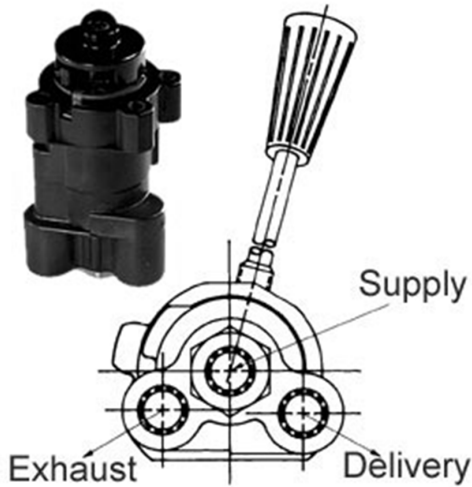
Approximate Weight: 3.5 lbs.

Notes:

- 1) Repair Kit not available.

Service Part No.	Product Description	Reservoir	Delivery	Control	Crack Pressure	Notes	OEM Part Number	Core Group
9125X	Remanufactured Sealco 3-Port Delivery Relay Valve	1/2" (2)	3/8" (2) 1/2" (1)	1/4" (2)	2.5 PSI	-	-	210

**Haldex (New and Remanufactured)
Trailer Brake Control - In-Column Mount**



Features:

- Made of durable EGC (Engineering Grade Composite)
- Handle applies 50° maximum
- Available with PTC (Push-To-Connect) fittings for nylon tubing

Specifications:

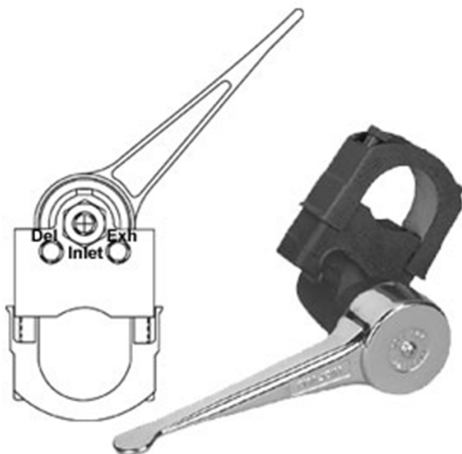
Approximate Weight: .70 lbs.

Notes:

- 1) Handle and knob NOT supplied with service unit.
- 2) Retro-Fit bracket use Part Number 102008GM.
- 3) Repair Kit not available.

Service Part No.	Product Description	Type	Supply	Delivery	Control	Notes	OEM Part Number	Core Group
KN20541	In-Column Mount Trailer Brake Control	Holding	1/4"	1/4"	1/4"	Handle KN20543	N30103BB	-
KN20542	In-Column Mount Trailer Brake Control	Self-Releasing	1/4"	1/4"	1/4"	Handle KN20543	N30103BL	-

**Haldex (New and Remanufactured)
Trailer Brake Control - Steering Column Mount**



Features:

- External steering column mount
- Chrome handle applies 70° maximum

Specifications:

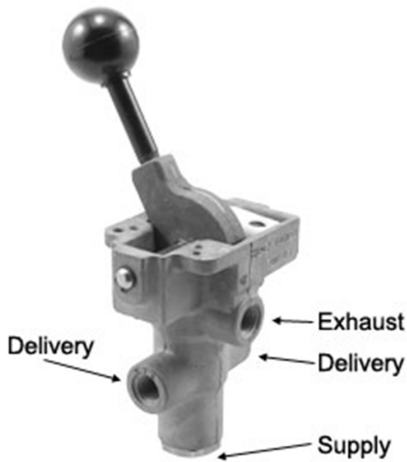
Approximate Weight 2.8 lbs.

Notes:

- 1) Includes chrome handle, bracket and mounting bolts.
- 2) Repair Kit use Part Number RN10GJ.

Service Part No.	Product Description	Supply	Delivery	Exhaust	Type	Notes	OEM Part Number	Core Group
KN20561	Hand Operated Trailer Brake Control Valve	1/4" NPT	1/4" NPT	1/4" NPT	Holding	-	N30161AH	-
KN20562	Hand Operated Trailer Brake Control Valve	1/4" NPT	1/4" NPT	1/4" NPT	Self-Return	-	N30161AJ	-

Haldex (New and Remanufactured) Trailer Brake Control - Panel Mount



Features:

- Limited delivery

Specifications:

Approximate Weight: .88 lbs.

Notes:

- 1) Knob for KN20580 and KN20590 use Part Number N15285M.
- 2) Lever for KN20581 use Part Number 102462D. Contact original equipment manufacturer for knob replacement.
- 3) Repair Kit not available.

Service Part No.	Product Description	Supply	Delivery	Exhaust	Maximum Delivery	Notes	OEM Part Number	Core Group
KN20580	Panel Mount Trailer Brake Control	1/4"	1/4" (2)	1/4"	80 PSI	2" lever and knob included 3/8"- 24 thread	N30105B	-
KN20581	Panel Mount Trailer Brake Control	1/4"	1/4" (2)	1/4"	System Pressure	5" lever included - knob not included	N30105D	-
KN20590	Panel Mount Trailer Brake Control	1/4"	1/4" (2)	1/4"	50 PSI	2" lever and knob included 3/8"- 24 thread	N30105C	-

Haldex (New and Remanufactured) Flipper Style - Panel Mount



Features:

- Panel or remote mount
- Made of durable Engineering Grade Composite (EGC)
- An on-off, non-automatic two-position valve

Specifications:

Approximate Weight: .18 lbs.

Notes:

- 1) Faceplates listed later in this section.
- 2) Repair Kit not available.

Service Part No.	Product Description	Supply	Delivery	Exhaust	Notes	OEM Part Number	Core Group
KN20001	Panel Mount Flipper Style Valve	1/8"	1/8" (2)	1/8"	Mounting Holes #10-24 with 1.50" Centers	N13440DL	-
KN20002	Panel Mount Flipper Style Valve	1/8"	1/8" (2)	1/8"	Mounting Holes M5 Metric with 1.50" Centers	N13440DN	-

**Haldex (New and Remanufactured)
Flipper Style - Locking Handle**



Features:

- Panel mount
- Locking type
- Made of durable Engineering Grade Composite (EGC)
- For controlling fifth wheel operation

Specifications:

Approximate Weight: .6 lbs.

Notes:

- 1) Includes locking handle.
- 2) Replaces Williams WM78/Series.
- 3) Repair Kit not available.

Service Part No.	Product Description	Delivery A	Delivery B	Supply C	Notes	OEM Part Number	Core Group
KN20700	Panel Mount Flipper Style Valve	1/8"	Plugged	1/8"	-	N13440FB	-

**Haldex (New and Remanufactured)
Double Flipper Style - Panel Mount**



Features:

- Panel mount
- Directional air control valve

Specifications:

Approximate Weight 1 lb.

Notes:

- 1) All units supplied with handle.
- 2) May be used for control of push-pull air cylinders or various other air operated devices
- 3) Repair Kit use Part Number RN34F for KN20110, all others use Part Number RN34H.
- 4) Holland Hitch Dolly Master name plate for N15791V - Part Number N14515BT.

Service Part No.	Product Description	Supply	Delivery	Handle Supplied	Apply/Release Position	OEM Part Number	Core Group
KN20080	Double Flipper Style Valve	1/4" NPT (2)	1/8" NPT (2)	K200800	3 Position With Manual Release ONLY	N15791D	-
KN20090	Double Flipper Style Valve	1/4" NPT (2)	1/8" NPT (2)	K200900	3 Position With Automatic Release when Supply "A" is applied	N15791F	-
KN20110	Double Flipper Style Valve	1/4" NPT (2)	1/8" NPT (2)	K201100	2 Position With Manual Release ONLY	N15791J	-
N15791H	Double Flipper Style Valve	Plugged (1) 1/4" NPT (1)	1/8" NPT (2)	K200900	3 Position With Automatic Release when Supply "A" is applied	N15791H	-
N15791T	Double Flipper Style Valve	1/8" NPT (2)	1/8" NPT (2)	K201100	2 Position With Manual Release ONLY	N15791T	-
N15791V	Double Flipper Style Valve	Plugged (1) 1/4" NPT (1)	1/8" NPT (2)	K200900	3 Position With Automatic Release when Supply "A" is applied	N15791V	-

Haldex (New and Remanufactured) Manifold Dash Style A



Style A (Typical)

Features:

- One piece housing made of Engineering Grade Composite (EGC)
- Ports have molded identifications
- Replaces competitive units
- Completely serviceable

Specifications:

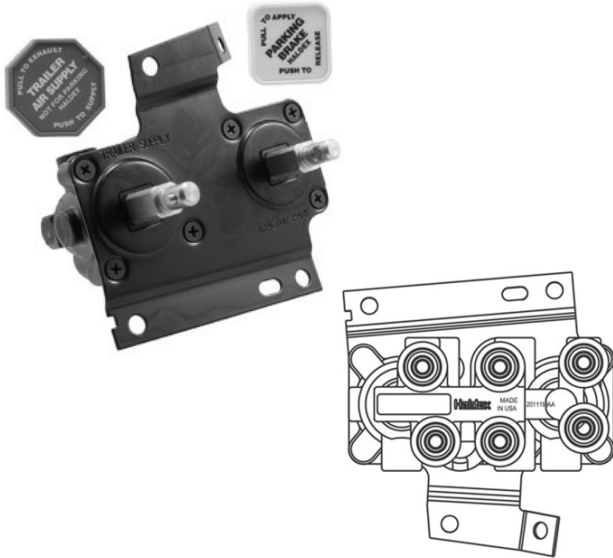
Tractor Valve:	20 - 35 PSI
Trailer Valve:	20 - 45 PSI
Non-Override:	25 ± 5 PSI

Notes:

- 1) Mounting configurations listed on pages 91 and 92.
- 2) See Accessories for related parts and repair kits.

Service Part No.	Product Description	Spools	Mount (4)	Trailer Del.	Res. Del. (2)	Exhaust	Tractor Del.	Aux. Supply	Notes	OEM Part Number
KN20601	Manifold Dash Valve	2	Horizontal M6 Metric nuts on cover	1/4"	1/4"	1/4"	1/4'	1/4"	-	N4400EA - N4400C
KN20602	Manifold Dash Valve	2	Horizontal 1/4"-20 nuts on cover	1/4"	1/4"	1/4"	1/4'	1/4"	-	N4400EB - N4400E
KN20603	Manifold Dash Valve	2	Horizontal M6 Metric nuts on cover	1/4"	1/4"	1/4"	1/4'	1/4"	-	N4400EC - N4400G
KN20605	Manifold Dash Valve	2	Vertical M6 Metric nuts on cover	1/4"	1/4"	1/4"	1/4'	1/4"	-	N4400ED - N4400J
KN20606	Manifold Dash Valve	2	Horizontal 1/4"-20 nuts on cover	1/4"	1/4"	1/4"	1/4'	1/4"	-	N4400EE - N4400M
KN20607	Manifold Dash Valve	2	Vertical M6 Metric nuts on cover	3/8" PTC	3/8" PTC	3/8" PTC	3/8" PTC	3/8" PTC	-	N4400EF - N4400S
KN20611	Manifold Dash Valve	2	Horizontal 1/4"-20 well nuts in body	1/4"	1/4"	1/4"	1/4'	1/4"	-	N4400EH - N4400B
KN20612	Manifold Dash Valve	2	Horizontal 10-24 well nuts in body	1/4"	1/4"	1/4"	1/4'	1/4"	-	N4400EJ - N4400A
KN20615	Manifold Dash Valve	2	Horizontal 1/4" hole in body	1/4"	1/4"	1/4"	1/4'	1/4"	-	N4400EK - N4400
KN20616	Manifold Dash Valve	2	Vertical 1/4"-20 well nuts in body	1/4"	1/4"	1/4"	1/4'	1/4"	-	N4400D
KN20632	Manifold Dash Valve	2	Horizontal M6 Metric nuts on cover	3/8" PTC	3/8" PTC	3/8" PTC	3/8" PTC	3/8" PTC	-	N4400FB
KN20636	Manifold Dash Valve	2	Horizontal M6 Metric nuts on cover	3/8" PTC	3/8" PTC	3/8" PTC	3/8" PTC	3/8" PTC	-	N4400FE

Haldex (New and Remanufactured) Manifold Dash Style B



Style B (Typical)

Features:

- Made of durable Engineering Grade Composite (EGC)
- One-Piece housing
- Ports have molded identification
- Replaces various competitive units
- Completely serviceable

Specifications:

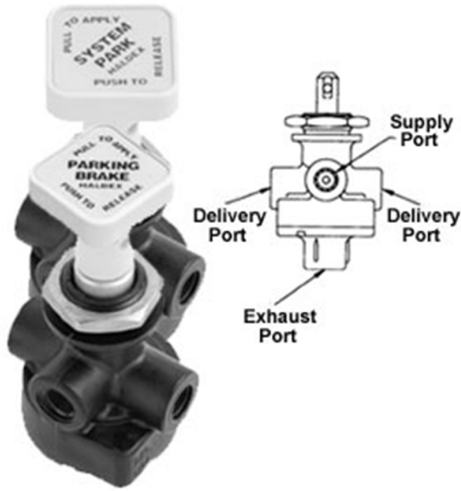
Tractor Valve	20 - 35 PSI
Trailer Valve	20 - 45 PSI
Non-Override	25 ± 5 PSI

Notes:

- 1) Mounting configurations listed on pages 91 and 92.
- 2) See Accessories for related parts and repair kits.

Service Part No.	Product Description	Spools	Mounting	Trailer Delivery	Reservoir	Exhaust	Tractor Delivery	Aux. Supply	Notes	OEM Part Number
KN20619	Manifold Dash Valve	2	Vertical 1/4" hole in cover (4)	3/8" PTC	3/8" PTC (2)	3/8" PTC	3/8" PTC	3/8" PTC	-	N4400EL N4400BA
KN20621	Manifold Dash Valve	2	Horizontal 1/4" hole in cover (4)	3/8" 45 PTC	3/8" 45 PTC (2)	3/8" 45 PTC	3/8" 45 PTC	-	-	N4400EN N4400BB
KN20622	Manifold Dash Valve	2	Vertical 3/16" hole in cover (4)	3/8" 90 PTC	3/8" 45 PTC (2)	3/8" 90 PTC	3/8" 45 PTC	-	Yellow knob (tractor spool) located in bottom position	N4400EP N4400BC
KN20623	Manifold Dash Valve	1	Vertical 1/4" hole in cover (4))	-	3/8" PTC (2)	3/8" PTC	3/8" PTC	-	Yellow knob (tractor spool) located in bottom position	N4400ER N4400DA
KN20629	Manifold Dash Valve	1	Vertical 3/16" hole in cover (4)	-	3/8" 45 PTC (2)	3/8" 90 PTC	3/8" 45 PTC	-	Yellow knob (tractor spool) located in bottom position - tractor supply port below exhaust	N4400EZ N4400DD

Haldex (New and Remanufactured) Push-Pull Parking Brake



Features:

- Controls parking/emergency brakes
- Bulkhead mount, requires 7/8" mounting hole
- Made of durable Engineering Grade Composite (EGC)
- A better replacement for the PP-1
- Knob, pin and mounting nut shipped with valve, un-assembled.

Specifications:

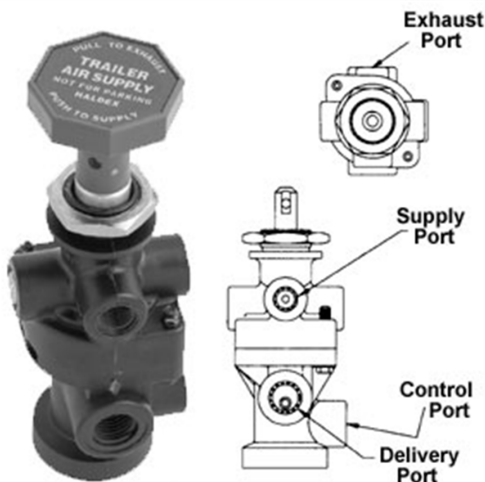
Approximate Weight: .4 lbs.

Notes:

- 1) Repair Kit not available.

Service Part No.	Product Description	POP Pressure	Knob Included	All Ports	Notes	OEM Part Number	Core Group
KN20021	Push-Pull Parking/ Emergency Brake Valve	35 ± 10 PSI	KN20903	1/8" NPT	System Brake	N20960	-
KN20022	Push-Pull Parking/ Emergency Brake Valve	35 ± 10 PSI	KN20901	1/8" NPT	Parking Brake	N20960A	-

Haldex (New and Remanufactured) Push-Pull Trailer Air Supply



Features:

- Controls tractor protection
- Bulkhead mount, requires 7/8" mounting hole
- Made of durable Engineering Grade Composite (EGC)
- A better replacement for the PP-7

Specifications:

Approximate Weight: .7 lbs.

Notes:

- 1) Unit supplied with knob KN20900.
- 2) Repair Kit not available.

Service Part No.	Product Description	POP Pressure	Non-Override Pressure	Exhaust & Delivery	Supply & Control	Notes	OEM Part Number	Core Group
KN20025	Push-Pull Trailer Air Supply Valve	35 ± 10 PSI	25 ± 5 PSI	1/4" NPT	1/8" NPT	Trailer Supply	N20961	-

VALVES

Hand Control Valves

Haldex (New and Remanufactured) Push-Pull Tractor Parking



Features:

- Controls TRACTOR ONLY parking
- Bulkhead mount, requires 7/8" mounting hole
- Made of durable Engineering Grade Composite (EGC)
- A better replacement for the PP-8
- Will not stay in half-on/half-off position

Specifications:

Approximate Weight: .4 lbs.

Notes:

- 1) Repair Kit not available.

Service Part No.	Product Description	POP Pressure	Knob Included	All Ports	Notes	OEM Part Number	Core Group
KN20035	Push-Pull Tractor Parking Valve	17.5 ± 12.5 PSI	KN20902	1/8" NPT	Tractor Parking	N20964	-

Haldex (New and Remanufactured) Push-Pull Panel Mount



Features:

- Panel mount
- Made of durable Engineering Grade Composite (EGC)

Specifications:

Approximate Weight .26 lbs.

Notes:

- 1) Knob and lock nut included.
- 2) N20928CM Includes K1451517 Faceplate. Faceplates listed later in this section.
- 3) Repair Kit not available.

Service Part No.	Product Description	POP Pressure	Knob Included	All Ports	Notes	OEM Part Number	Core Group
KN20031	Push-Pull Panel Mount Valve	25 - 35 PSI	A25079	1/4"	-	N20928CK	-
KN20033	Push-Pull Panel Mount Valve	7 - 17 PSI	A25079	1/4"	-	N20928CH	-
N20928CL	Push-Pull Panel Mount Valve	25 - 35 PSI	12510	1/4"	-	N20928CL	-
N20928CM	Push-Pull Panel Mount Valve	25 - 35 PSI	N14514	1/4"	-	N20928CM	-

Haldex (New and Remanufactured) Push-Pull Bulkhead Mount



Features:

- Bulkhead mount, requires 7/8" mounting hole
- Made of aluminum
- 2- and 3-Way types
- Fits 5/8" dashboard holes

Specifications:

Approximate Weight: .5 lbs.

Notes:

- 1) Faceplates listed later in this section.
- 2) A83034 Repair Kit use Part Number RN10JA.
- 3) A83580 and A87940 Repair Kit use Part Number RN10JB.

Service Part No.	Product Description	Type	Knob Included	All Ports	Notes	OEM Part Number	Core Group
A83034	Push-Pull Bulkhead Mount Valve	2-Way	A25079	1/4"	Faceplate not included	AD83034	-
A83580	Push-Pull Bulkhead Mount Valve	3-Way	A25079	1/4"	Faceplate Included N14515BN Push-To-Release	AD83580 with threaded exhaust ports	-
A87940	Push-Pull Bulkhead Mount Valve	3-Way	A25079	1/4"	Faceplate Included N14515BR Pintle Hook	AD87940 with threaded exhaust ports	-

Haldex (New and Remanufactured) Push-Pull Hostler Valve



Features:

- Panel or bulkhead mount
- Requires 3/4" hole in dashboard

Specifications:

Approximate Weight .88 lbs.

Notes:

- 1) For in-cab applications.
- 2) Repair Kit not available.

Service Part No.	Product Description	POP Pressure	Knob Included	Delivery Port	Exhaust Port	Notes	OEM Part Number	Core Group
KN20010	Hand Operated Push-Pull Hostler Valve	25 - 40 PSI	N14514 Plain	1/4"	1/4"	-	N14488AE	-
KN20011	Hand Operated Push-Pull Hostler Valve	0 PSI	N14514 Plain	1/4"	1/4"	-	N14488R	-
KN20015	Hand Operated Push-Pull Hostler Valve	25 - 40 PSI	12510 Trailer Emergency	1/4"	1/4"	-	N14488AC	-

VALVES

Hand Control Valves

Haldex (New and Remanufactured) Push Style



Features:

- Panel mount
- Made of durable Engineering Grade Composite (EGC)
- Must be manually held in - "Dead Man" type

Specifications:

Approximate Weight: .5 lbs.

Notes:

- 1) For use on construction equipment.
- 2) Not for use on truck-tractor-trailer applications.
- 3) Repair Kit not available.

Service Part No.	Product Description	Knob Included	All Ports	Notes	OEM Part Number	Core Group
KN20061	Hand Operated Push Style Valve	N14514 Plain	1/8"	Faceplate Included N14515AB Push For Emergency Release	N15760G	-

Competitive (New and Remanufactured) Bendix® Push-Pull HPP-1



Features:

- Push-pull type valve
- Hand operated used to control hydraulic parking and emergency brakes

Specifications:

Approximate Weight .6 lbs.

Notes:

- 1) Repair Kit not available.

Service Part No.	Product Description	Auto Release Pressure	All Ports	Notes	OEM Part Number	Core Group
RH65077X	Remanufactured Bendix HPP-1 Hydraulic Push-Pull Control Valve	10 PSI	1/8"	-	-	HYD2023

Competitive (New and Remanufactured) Bendix® Push-Pull PP-1



Features:

- Commonly used to control parking and emergency brakes

Specifications:

Approximate Weight: .7 lbs.

Notes:

- 1) Repair Kit use Part Number 281126K.

Service Part No.	Product Description	Supply Port	Delivery Port	Exhaust Port	Auto Release Pressure	Notes	OEM Part Number	Core Group
104240RX	Remanufactured Bendix PP-1 Push-Pull Valve - CoreFree	1/8"	1/4"	1/8"	60 PSI	-	-	-
104240X	Remanufactured Bendix PP-1 Push-Pull Valve	1/8"	1/4"	1/8"	60 PSI	-	-	132PP1
276566RX	Remanufactured Bendix PP-1 Push-Pull Valve - CoreFree	1/8"	1/8"	1/8"	20 PSI	-	-	-
276566X	Remanufactured Bendix PP-1 Push-Pull Valve	1/8"	1/8"	1/8"	20 PSI	-	-	132PP1
276567RX	Remanufactured Bendix PP-1 Push-Pull Valve - CoreFree	1/8"	1/8"	1/8"	40 PSI	-	-	-
276567X	Remanufactured Bendix PP-1 Push-Pull Valve	1/8"	1/8"	1/8"	40 PSI	-	-	132PP1
276569RX	Remanufactured Bendix PP-1 Push-Pull Valve - CoreFree	1/8"	1/8"	1/8"	30 PSI	-	-	-
276569X	Remanufactured Bendix PP-1 Push-Pull Valve	1/8"	1/8"	1/8"	30 PSI	-	-	132PP1
281587RX	Remanufactured Bendix PP-1 Push-Pull Valve - CoreFree	1/8"	1/8"	1/8"	40 PSI	Remote Mount 1/4" Female thread in Shaft	-	-
281587X	Remanufactured Bendix PP-1 Push-Pull Valve	1/8"	1/8"	1/8"	40 PSI	Remote Mount 1/4" Female thread in Shaft	-	132PP1
282499RX	Remanufactured Bendix PP-1 Push-Pull Valve - CoreFree	1/8"	1/4"	1/8"	40 PSI	Stem Height 1.62"	-	-
282499X	Remanufactured Bendix PP-1 Push-Pull Valve	1/8"	1/4"	1/8"	40 PSI	Stem Height 1.62"	-	132PP1
287417RX	Remanufactured Bendix PP-1 Push-Pull Valve - CoreFree	1/8"	1/4"	1/8"	30 PSI	-	-	-
287417X	Remanufactured Bendix PP-1 Push-Pull Valve	1/8"	1/4"	1/8"	30 PSI	-	-	132PP1
287600RX	Remanufactured Bendix PP-1 Push-Pull Valve - CoreFree	1/8"	1/4"	1/8"	40 PSI	Stem Height 1.12"	-	-
287600X	Remanufactured Bendix PP-1 Push-Pull Valve	1/8"	1/4"	1/8"	40 PSI	Stem Height 1.12"	-	132PP1
287637RX	Remanufactured Bendix PP-1 Push-Pull Valve - CoreFree	1/8"	1/8"	1/8"	-	Manual Valve	-	-
287637X	Remanufactured Bendix PP-1 Push-Pull Valve	1/8"	1/8"	1/8"	-	Manual Valve	-	132PP1

Competitive (New and Remanufactured) Bendix® Push-Pull PP-2



Features:

- Used with parking and emergency brakes
- Anti-compounding port which prevents simultaneous application of both the service and parking brakes

Specifications:

Approximate Weight .9 lbs.

Notes:

- 1) Repair Kit use Part Number 281127K.

Service Part No.	Product Description	Supply Port	Delivery Port	Auto Release Pressure	Notes	OEM Part Number	Core Group
276462RX	Remanufactured Bendix PP-2 Push-Pull Hand Control Valve - CoreFree	1/8"	1/8" (2)	40 PSI	Replaces 276538	-	-
276462X	Remanufactured Bendix PP-2 Push-Pull Hand Control Valve	1/8"	1/8" (2)	40 PSI	Replaces 276538	-	132PP1
280454RX	Remanufactured Bendix PP-2 Push-Pull Hand Control Valve - CoreFree	1/8"	1/8" (2)	40 PSI	Remote Mount	-	-
280454X	Remanufactured Bendix PP-2 Push-Pull Hand Control Valve	1/8"	1/8" (2)	40 PSI	Remote Mount	-	132PP1

Competitive (New and Remanufactured) Bendix® Push-Pull PP-3



Features:

- Primarily used with two-line tractor protection valve
- Tripper exhaust at 30 PSI and charges above 50 PSI
- Plunger trips at 40 PSI and charges manually

Specifications:

Approximate Weight: 1.2 lbs.

Notes:

- 1) Repair Kit use Part Number 280857K.

Service Part No.	Product Description	Supply Port	Delivery Port	Exhaust Port	Notes	OEM Part Number	Core Group
279787RX	Remanufactured Bendix PP-3 Push-Pull Hand Control Valve - CoreFree	1/8" (3)	Plugged (2) 1/4" (1)	1/4"	Remote Mount 1/4"-20 Thread	-	-
279787X	Remanufactured Bendix PP-3 Push-Pull Hand Control Valve	1/8" (3)	Plugged (2) 1/4" (1)	1/4"	Remote Mount 1/4"-20 Thread	-	132PP1
288746RX	Remanufactured Bendix PP-3 Push-Pull Hand Control Valve - CoreFree	1/8" (3)	Plugged (2) 1/4" (1)	1/4"	-	-	-
288746X	Remanufactured Bendix PP-3 Push-Pull Hand Control Valve	1/8" (3)	Plugged (2) 1/4" (1)	1/4"	-	-	132PP1
289477RX	Remanufactured Bendix PP-3 Push-Pull Hand Control Valve - CoreFree	1/8" (3)	1/8" (2) 1/4" (1)	1/4"	-	-	-
289477X	Remanufactured Bendix PP-3 Push-Pull Hand Control Valve	1/8" (3)	1/8" (2) 1/4" (1)	1/4"	-	-	132PP1
289512RX	Remanufactured Bendix PP-3 Push-Pull Hand Control Valve - CoreFree	1/8" (3)	1/8" (2) 1/4" (1)	1/4"	Remote Mount 1/4" Female Thread in Shaft	-	-
289512X	Remanufactured Bendix PP-3 Push-Pull Hand Control Valve	1/8" (3)	1/8" (2) 1/4" (1)	1/4"	Remote Mount 1/4" Female Thread in Shaft	-	132PP1

**Competitive (New and Remanufactured)
Bendix® Push-Pull PP-5**



Features:

- Manually operated
- Can automatically be moved to exhaust position by applying a low signal from another control valve to the PP-5 Pilot Port
- Used in conjunction with vehicle torque converter systems, engine speed control systems and some parking brake systems

Specifications:

Approximate Weight .8 lbs.
Release Pressure: 40 PSI

Notes:

- 1) Knob not included.
- 2) Repair Kit not available.

Service Part No.	Product Description	Supply Port	Delivery Port	Exhaust Port	Pilot Air Inlet	Notes	OEM Part Number	Core Group
281946RX	Remanufactured Bendix PP-5 Push-Pull Hand Control Valve - CoreFree	1/8"	1/8" (2)	18"	1/8"	-	-	-
281946X	Remanufactured Bendix PP-5 Push-Pull Hand Control Valve	1/8"	1/8" (2)	18"	1/8"	-	-	132PP1

Competitive (New and Remanufactured) Bendix® Push-Pull Trailer Supply PP-7



Features:

- Steering column mount
- Primarily used on tractors and provides modulated control on trailer brakes only

Specifications:

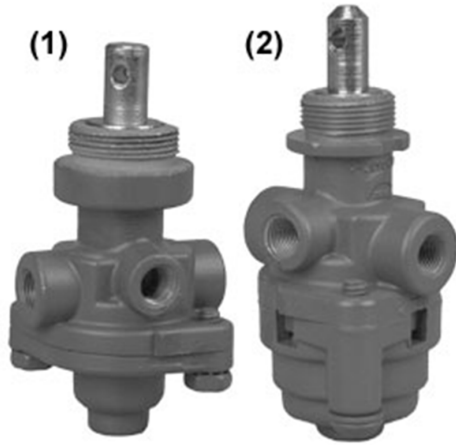
Approximate Weight: 1.2 lbs.
Auto, All Release Press.: 40 PSI

Notes:

1) Repair Kit use Part Number 287367K.

Service Part No.	Product Description	Supply	Delivery	Control	Exhaust	Stem Diameter	Notes	OEM Part Number	Core Group
288239RX	Remanufactured Bendix PP-7 Trailer Supply Valve - CoreFree	1/8"	1/4"	1/8"	-	3/8"	-	-	-
288239X	Remanufactured Bendix PP-7 Trailer Supply Valve	1/8"	1/4"	1/8"	-	3/8"	-	-	132PP1
288240RX	Remanufactured Bendix PP-7 Trailer Supply Valve - CoreFree	1/8"	1/4"	1/8"	-	1/2"	Remote Mount 1/4" Female Thread in Shaft	-	-
288240X	Remanufactured Bendix PP-7 Trailer Supply Valve	1/8"	1/4"	1/8"	-	1/2"	Remote Mount 1/4" Female Thread in Shaft	-	132PP1
288241RX	Remanufactured Bendix PP-7 Trailer Supply Valve - CoreFree	1/8"	1/4"	1/8"	1/4"-18 NPT	5/16"	-	-	-
288241X	Remanufactured Bendix PP-7 Trailer Supply Valve	1/8"	1/4"	1/8"	1/4"-18 NPT	5/16"	-	-	132PP1
288242RX	Remanufactured Bendix PP-7 Trailer Supply Valve - CoreFree	1/8"	1/4"	1/8"	-	1/2"	Remote Mount 1/4" Female Thread in Shaft	-	-
288242X	Remanufactured Bendix PP-7 Trailer Supply Valve	1/8"	1/4"	1/8"	-	1/2"	Remote Mount 1/4" Female Thread in Shaft	-	132PP1
288721RX	Remanufactured Bendix PP-7 Trailer Supply Valve - CoreFree	1/8"	1/4"	1/8"	1/4"-18 NPT	3/8"	-	-	-
288721X	Remanufactured Bendix PP-7 Trailer Supply Valve	1/8"	1/4"	1/8"	1/4"-18 NPT	3/8"	-	-	132PP1

**Competitive (New and Remanufactured)
Bendix® Push-Pull PP-8**



Features:

- Manually operated
- Generally used on tractor parking brakes
- Meets FMVSS-121 requirements

Specifications:

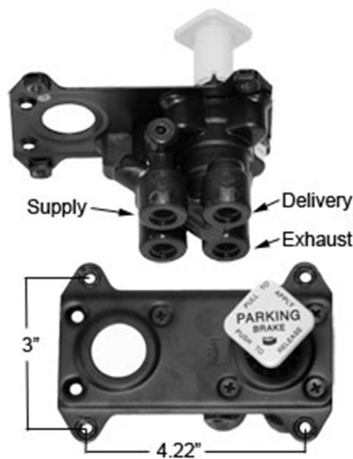
Approximate Weight .8 lbs.

Notes:

- 1) Supplied without knob or mounting hardware.
- 1) Repair Kit not available.

Service Part No.	Product Description	Supply Port	Delivery Port	Exhaust Port	Notes	OEM Part Number	Core Group
287238RX	Remanufactured Bendix PP-8 Push-Pull Hand Control Valve - CoreFree	1/8"	1/8" (2)	1/8"	Picture 1	-	-
287238X	Remanufactured Bendix PP-8 Push-Pull Hand Control Valve	1/8"	1/8" (2)	1/8"	Picture 1	-	132PP1
287418RX	Remanufactured Bendix PP-8 Push-Pull Hand Control Valve - CoreFree	1/8"	1/4" (2)	1/8"	Picture 2	-	-
287418X	Remanufactured Bendix PP-8 Push-Pull Hand Control Valve	1/8"	1/4" (2)	1/8"	Picture 2	-	132PP1

**Competitive (New and Remanufactured)
Bendix® PP-DC**



Features:

- Hand control valve

Specifications:

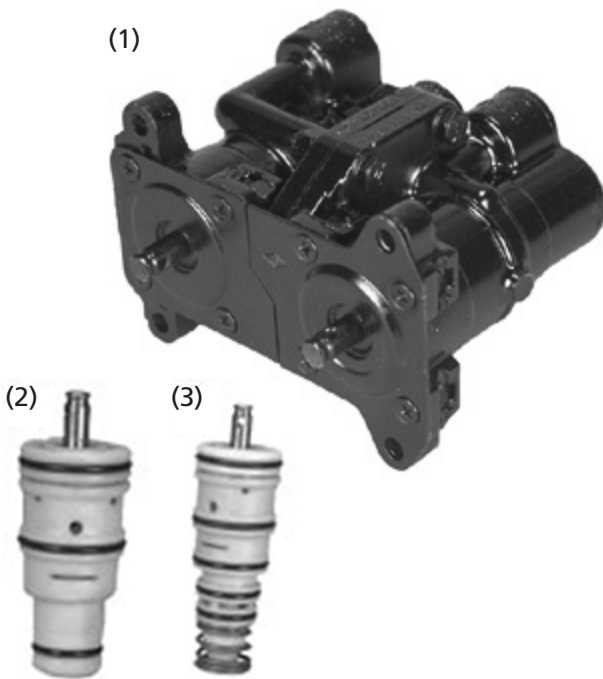
Approximate Weight: 2.0 lbs.
 Mounting Hole Diam.: .27"
 Mounting Hole Distance: 4.22" Width
 3" Height

Notes:

- 1) Repair Kit not available.

Service Part No.	Product Description	Supply Port	Delivery Port	Exhaust Port	Notes	OEM Part Number	Core Group
800034X	Remanufactured Bendix PP-DC Hand Control Valve	1/4"-18 NPT	1/4"-18NPT	1/4"-18 NPT	-	-	165PPDC

Competitive (New and Remanufactured) Bendix® Manifold MV-2



Features:

- Non-metallic assembly
- Control panel mounted in truck or tractor
- Two push-pull valves and a dual circuit supply valve

Specifications:

Approximate Weight:

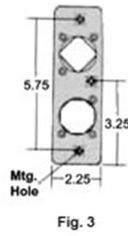
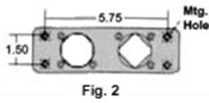
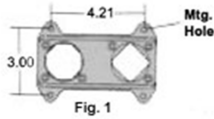
Valve	2.7 lbs
Spool Assembly	.5 lbs.

Notes:

- 1) Knobs not included.
- 2) Repair Kit not available.

Service Part No.	Product Description	Reservoirs	Del. Tractor	Del. Trailer	Aux. Supply	Exhaust Port	Notes	OEM Part Number	Core Group
101569RX	Remanufactured Bendix Control Valve MV-2 Spool Assembly- CoreFree	-	-	-	-	-	Picture 3	-	-
101569X	Remanufactured Bendix Control Valve MV-2 Spool Assembly	-	-	-	-	-	Picture 3	-	163MV2
101570RX	Remanufactured Bendix Control Valve MV-2 Spool Assembly - CoreFree	-	-	-	-	-	Picture 2	-	-
101570X	Remanufactured Bendix Control Valve MV-2 Spool Assembly	-	-	-	-	-	Picture 2	-	163MV2
K095875RX	Remanufactured Bendix Control Valve MV-2 Spool Assembly - CoreFree	2	1/4"	1/4"	1/4"	1/4"	Picture 1	-	-

**Competitive (New and Remanufactured)
Bendix® Manifold MV-3**



Features:

- Non-metallic assembly
- Control panel mounted in truck or tractor
- Two push-pull valves and a dual circuit supply valve

Specifications:

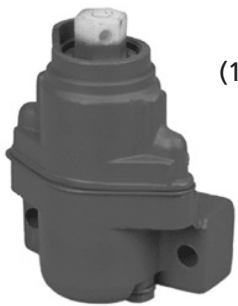
Approximate Weight: 1.9 lbs.
800516RX / 800517RX
Approximate Weight: 1.6 lbs.
800521RX / 800573RX

Notes:

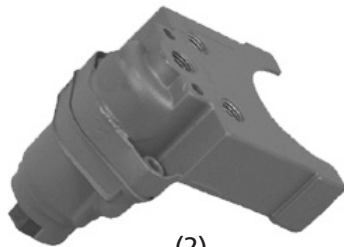
- 1) Maintenance Kit use Part Number 107216K.
- 2) MV-3 Shuttle Kit use Part Number 107217K.

Service Part No.	Product Description	Reservoir	Delivery Tractor	Delivery Trailer	Exhaust	Mtg. Hole Threads	Notes	OEM Part Number	Core Group
800516RX	Remanufactured Bendix MV-3 Manifold Valve - CoreFree	1/4" (2)	1/4"	1/4"	1/4"	.27" Unthreaded	Figure 1 - Knobs are Included	-	-
800517RX	Remanufactured Bendix MV-3 Manifold Valve - CoreFree	1/4" (2)	1/4"	1/4"	1/4"	M6x1-6H Metric	Figure 2 - Knobs not Included	-	-
800521RX	Remanufactured Bendix MV-3 Manifold Valve - CoreFree	1/4" (2)	1/4"	1/4"	1/4"	1/4"-20	Figure 3 - Knobs not Included	-	-
800573RX	Remanufactured Bendix MV-3 Manifold Valve - CoreFree	1/4" (2)	1/4"	1/4"	1/4"	1/4"-20	Figure 1 - Knobs not Included	-	-

**Competitive (New and Remanufactured)
Bendix® Trailer TC-2**



(1)



(2)

Features:

- Steering column mount
- Generally used on tractors and provides modulated control on trailer brakes only

Specifications:

Approximate Weight: 2.4 lbs.

Notes:

- 1) Repair Kit not available.

Service Part No.	Product Description	Supply	Delivery	Exhaust	Notes	OEM Part Number	Core Group
276270X	Remanufactured Bendix TC-2 Trailer Hand Control Valve	1/4"	1/4"	1/4"	Picture 1 - Long Max. Delivery 80 PSI	-	107TC2
276272RX	Remanufactured Bendix TC-2 Trailer Hand Control Valve - CoreFree	1/4"	1/4"	1/4"	Picture 2 - Short Max. Delivery 80 PSI	-	-
276272X	Remanufactured Bendix TC-2 Trailer Hand Control Valve	1/4"	1/4"	1/4"	Picture 2 - Short Max. Delivery 80 PSI	-	107TC2

Competitive (New and Remanufactured) Bendix® TW-1



Features:

- Lever type
- Manually operated valve

Specifications:

Approximate Weight: .6 lbs.

Notes:

- 1) Two position controls.
- 2) Repair Kit use Part Number 101805K.

Service Part No.	Product Description	Supply	Delivery	Notes	OEM Part Number	Core Group
229635RX	Remanufactured Bendix TW-1 Hand Control Valve - Corefree	1/8"	1/8" (2)	-	-	-
229635X	Remanufactured Bendix TW-1 Hand Control Valve	1/8"	1/8" (2)	-	-	138TW1

Competitive (New and Remanufactured) Bendix® TW-3



Features:

- Lever type
- Used in conjunction with parking and emergency brake systems

Specifications:

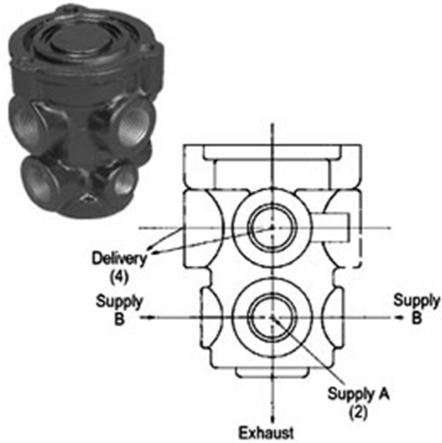
Approximate Weight: .6 lbs.

Notes:

- 1) Two position controls.
- 2) Repair Kit not available.

Service Part No.	Product Description	Supply	Delivery	Notes	OEM Part Number	Core Group
283040RX	Remanufactured Bendix TW-3 Hand Control Valve - Corefree	1/4"	1/4" (2)	-	-	-
283040X	Remanufactured Bendix TW-3 Hand Control Valve	1/4"	1/4" (2)	-	-	138TW1
283935RX	Remanufactured Bendix TW-3 Hand Control Valve - Corefree	1/4"	1/4" (2)	-	-	-
283935X	Remanufactured Bendix TW-3 Hand Control Valve	1/4"	1/4" (2)	-	-	138TW1

**Haldex (New and Remanufactured)
Single Circuit**



Features:

- Directly replaces competitive brands
- All supply and delivery ports are common
- Provides smooth and consistent pedal feel
- Used primarily with pre FMVSS-121 vehicles (prior to 1975)

Specifications:

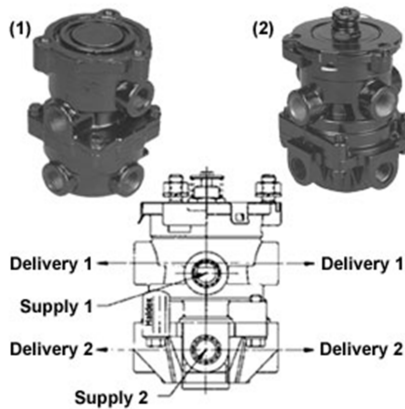
Approximate Weight: 1.5 lbs.

Notes:

- 1) Repair Kit use Part Number RN10BX.

Service Part No.	Product Description	Supply A	Supply B	Delivery	Notes	OEM Part Number	Core Group
KN22100	New Single Circuit Foot Operated Service Brake Control Valve	1/2" (2)	1/4" (2)	1/2" (4)	Standard Tractor Foot Valve Prior to 1975	N20837	-
KN22100X	Remanufactured Single Circuit Foot Operated Service Brake Control Valve	1/2" (2)	1/4" (2)	1/2" (4)	Studs not included	N20837	304

**Haldex (New and Remanufactured)
Single or Dual Circuit - Pedal Attached**



Features:

- Features either a single or dual circuit foot valve with pedal attached
- An easy way to replace the entire assembly
- Interchangeable with competitive models

Specifications:

Approximate Weight:
Single Circuit 4 lbs.

Notes:

- 1) Repair Kit not available.

Service Part No.	Product Description	Pedal Angle	Valve Included	Notes	OEM Part Number	Core Group
KN22600	New Single Circuit Foot Control Valve with Pedal Attached	45°	KN22100	-	N30072FA	-
KN22610	New Single Circuit Foot Control Valve with Pedal Attached	27°	KN22100	-	N30072FC	-
KN22620	New Single Circuit Foot Control Valve with Pedal Attached	34°	KN22100	-	N30072FB	-

Haldex (New and Remanufactured) Aluminum Treadle



Features:

- A lightweight, strong pedal for brake application valves
- Logo is cast in pedal surface - won't wear off
- Replaces most steel pedals on today's vehicles
- Interchanges with most competitive models

Specifications:

Approximate Weight: 2.2 lbs.

Notes:

- 1) Repair Kit not available.

Service Part No.	Product Description	Pedal Angle	Notes	OEM Part Number	Core Group
SN4017A	Aluminum Treadle for Brake Application Valves	45°	-	N30056BR	-
SN4017E	Aluminum Treadle for Brake Application Valves	34°	-	N30056BX	-
SN4017F	Aluminum Treadle for Brake Application Valves	27°	-	N30056BW	-

Competitive (New and Remanufactured) Bendix® E-2 & E-3



Features:

- Floor mounted
- Treadle or lever actuated
- Used in single circuit systems

Specifications:

Approximate Weight: 1.3 lbs.

Notes:

- 1) Repair Kit use Part Number 276119K.

Service Part No.	Product Description	Supply	Delivery	Auxiliary	Notes	OEM Part Number	Core Group
229501RX	Remanufactured Bendix E-2 Foot Control Valve - CoreFree	1/2" (2)	1/2" (4)	1/4" (2)	-	-	-
229501X	Remanufactured Bendix E-2 Foot Control Valve	1/2" (2)	1/2" (4)	1/4" (2)	-	-	103E-6
277863RX	Remanufactured Bendix E-3 Foot Control Valve - Corefree	1/2" (2)	1/2" (4)	1/4" (2)	Slightly Longer Plunger Than E-2	-	-
277863X	Remanufactured Bendix E-3 Foot Control Valve	1/2" (2)	1/2" (4)	1/4" (2)	Slightly Longer Plunger Than E-2	-	103E-6
278998RX	Remanufactured Bendix E-3 Foot Control Valve - CoreFree	1/2" (2)	1/2" (4)	1/4" (3)	Slightly Longer Plunger Than E-2	-	-
278998X	Remanufactured Bendix E-3 Foot Control Valve	1/2" (2)	1/2" (4)	1/4" (3)	Slightly Longer Plunger Than E-2	-	103E-6

Competitive (New and Remanufactured)
Bendix® E-5



Features:

- Firewall mounted
- Mounted in cab of truck
- Suspended pedal foot valve
- Used in single circuit systems

Specifications:

Approximate Weight: 2 lbs.

Notes:

- 1) Repair Kit not available.

Service Part No.	Product Description	Supply	Delivery	Notes	OEM Part Number	Core Group
279950RX	Remanufactured Bendix E-5 Foot Control Valve - CoreFree	1/4" (5) 1/2" (1)	1/4" (2) 1/2" (1) 3/8" (1)	-	-	-
279950X	Remanufactured Bendix E-5 Foot Control Valve	1/4" (5) 1/2" (1)	1/4" (2) 1/2" (1) 3/8" (1)	-	-	103E-6

Competitive (New and Remanufactured)
Bendix® Dual Circuit E-6



Features:

- Floor mounted
- Treadle or lever actuated
- Two separate supply and delivery circuits for service and secondary braking
- Meets FMVSS-121 requirements

Specifications:

Approximate Weight: 4.8 lbs.

Notes:

- 1) Repair Kit use Part Number 287368K.

Service Part No.	Product Description	Supply	Delivery	Notes	OEM Part Number	Core Group
286171RX	Remanufactured Bendix E-6 Dual Circuit Foot Control Valve - CoreFree	3/8" (4)	3/8" (4)	-	-	-
286171X	Remanufactured Bendix E-6 Dual Circuit Foot Control Valve	3/8" (4)	3/8" (4)	-	-	103E-6

Competitive (New and Remanufactured) Bendix® Dual Circuit E-7



Features:

- Firewall mounted
- Two separate supply and delivery circuits
- Suspended pedal foot valve
- Used in dual or split air brake systems

Specifications:

Approximate Weight: 3.7 lbs.

Notes:

- 1) Repair Kit use Part Number 289352K.

Service Part No.	Product Description	Supply	Delivery	Exhaust	Sup. Ports Mount Side	Del. Ports Mount Side	Notes	OEM Part Number	Core Group
101818RX	Remanufactured Bendix E-7 Dual Circuit Foot Control Valve - CoreFree	1/4" (4)	3/8" (4)	Diaphragm	1/8" (1) 1/2" (2)	1/2" (2)	-	-	-
101818X	Remanufactured Bendix E-7 Dual Circuit Foot Control Valve	1/4" (4)	3/8" (4)	Diaphragm	1/8" (1) 1/2" (2)	1/2" (2)	-	-	106E-7
284760RX	Remanufactured Bendix E-7 Dual Circuit Foot Control Valve - CoreFree	1/4" (2)	-	Diaphragm	2 @ o-ring sealed flange	2 @ o-ring sealed flange	-	-	-
284760X	Remanufactured Bendix E-7 Dual Circuit Foot Control Valve	1/4" (2)	-	Diaphragm	2 @ o-ring sealed flange	2 @ o-ring sealed flange	-	-	106E-7
286773RX	Remanufactured Bendix E-7 Dual Circuit Foot Control Valve - CoreFree	1/4" (4)	1/4" (4)	1/2" (1)	1/8" (1) 1/2" (2)	1/2" (2)	-	-	-
286773X	Remanufactured Bendix E-7 Dual Circuit Foot Control Valve	1/4" (4)	1/4" (4)	1/2" (1)	1/8" (1) 1/2" (2)	1/2" (2)	-	-	106E-7
286774RX	Remanufactured Bendix E-7 Dual Circuit Foot Control Valve - CoreFree	1/4" (4)	1/4" (4)	1/2" (1)	1/8" (1) 1/2" (2)	1/2" (2)	-	-	-
286774X	Remanufactured Bendix E-7 Dual Circuit Foot Control Valve	1/4" (4)	1/4" (4)	1/2" (1)	1/8" (1) 1/2" (2)	1/2" (2)	-	-	106E-7
286775RX	Remanufactured Bendix E-7 Dual Circuit Foot Control Valve - CoreFree	1/4" (4)	1/4" (4)	1/2" (1)	1/8" (1) 1/2" (2)	1/2" (2)	-	-	-
286775X	Remanufactured Bendix E-7 Dual Circuit Foot Control Valve	1/4" (4)	1/4" (4)	1/2" (1)	1/8" (1) 1/2" (2)	1/2" (2)	-	-	106E-7
287411RX	Remanufactured Bendix E-7 Dual Circuit Foot Control Valve - CoreFree	1/4" (2) 3/8" (2)	1/4" (2) 3/8" (2)	1/2" (1)	1/8" (1) 1/2" (2)	1/2" (2)	-	-	-
287411X	Remanufactured Bendix E-7 Dual Circuit Foot Control Valve	1/4" (2) 3/8" (2)	1/4" (2) 3/8" (2)	1/2" (1)	1/8" (1) 1/2" (2)	1/2" (2)	-	-	106E-7
287564RX	Remanufactured Bendix E-7 Dual Circuit Foot Control Valve - CoreFree	1/4" (4)	1/4" (2) 3/8" (2)	Diaphragm	1/8" (1) 1/2" (2)	1/2" (2)	-	-	-
287564X	Remanufactured Bendix E-7 Dual Circuit Foot Control Valve	1/4" (4)	1/4" (2) 3/8" (2)	Diaphragm	1/8" (1) 1/2" (2)	1/2" (2)	-	-	106E-7
288383RX	Remanufactured Bendix E-7 Dual Circuit Foot Control Valve - CoreFree	1/4" (4)	1/4" (4)	Diaphragm	1/8" (1) 1/2" (2)	1/2" (2)	-	-	-
288383X	Remanufactured Bendix E-7 Dual Circuit Foot Control Valve	1/4" (4)	1/4" (4)	Diaphragm	1/8" (1) 1/2" (2)	1/2" (2)	-	-	106E-7

Competitive (New and Remanufactured) Bendix® Dual Circuit E-10



Features:

- Floor mounted, treadle operated
- Two separate supply and delivery circuits for service and secondary braking
- Used in dual or split air brake systems

Specifications:

Approximate Weight: 4.8 lbs.

Notes:

- 1) Repair Kit not available.

Service Part No.	Product Description	Supply	Delivery	Notes	OEM Part Number	Core Group
101100RX	Remanufactured Bendix E-10 Dual Circuit Foot Control Valve - CoreFree	3/8" (4)	3/8" (4)	-	-	-
101100X	Remanufactured Bendix E-10 Dual Circuit Foot Control Valve	3/8" (4)	3/8" (4)	-	-	103E-6

Competitive (New and Remanufactured) Bendix® E-12



Features:

- Firewall mounted
- Mounted in cab of truck
- Dual circuit valve with two separate supply and delivery circuits

Specifications:

Approximate Weight: 2.8 lbs.

Notes:

- 1) Repair Kit not available.
- 2) Treadle and mounting plate not furnished.

Service Part No.	Product Description	Supply	Delivery	Auxiliary	Notes	OEM Part Number	Core Group
65313X	Remanufactured Bendix E-12 Foot Control Valve	3/8"-18	3/8"-18	1/4"-18	-	-	160E12

Competitive (New and Remanufactured) Bendix® E-14



Features:

- Firewall mounted
- Dual circuit valve with two separate supply and delivery circuits

Specifications:

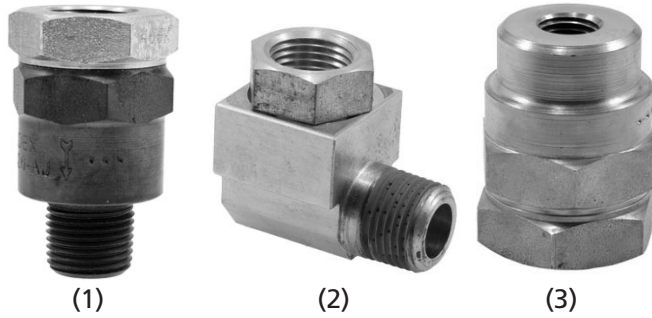
Approximate Weight: 8 lbs.

Notes:

- 1) Repair Kit not available.
- 2) Pedal and mounting plate not furnished.
- 3) Used with manifold.

Service Part No.	Product Description	Supply	Delivery	Notes	OEM Part Number	Core Group
65395X	Remanufactured Bendix E-14 Foot Control Valve	3/8"-18	3/8"-18	-	-	166E14

Haldex (New and Remanufactured) One-Way Check Valve



Features:

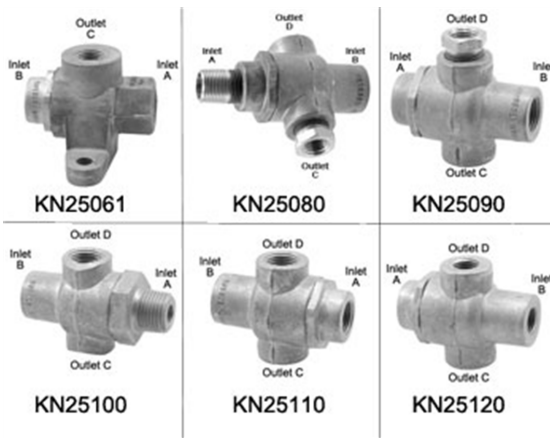
- Permits air flow in one direction only
- Used wherever pressures must be isolated and not allowed to flow back
- All models are male-female thread except KN23080

Notes:

- 1) Use heavy duty models on compressor discharge.
- 2) Repair Kit not available.

Service Part No.	Product Description	Inlet/Outlet	Length	Repair Kit	Notes	OEM Part Number	Core Group
KN23000	New One-Way Check Valve	1/2"	2.47"	RN10CH	STYLE 1 Heavy Duty	N13526AJ	-
KN23010	New One-Way Check Valve	3/8"	2.47"	RN10CH	STYLE 1 Heavy Duty	N13526AG	-
KN23040	New One-Way Check Valve	3/4"	2.31"	RN10Y	STYLE 1 Standard	N13526J	-
KN23060	New One-Way Check Valve	1/2"	1.85"	RN10HZ	STYLE 2 Brass - 90° Style	N13526BL	-
KN23080	New One-Way Check Valve	1/4"	1.85"	RN10Y	STYLE 3 Standard - Two Female	N13526D	-

Haldex (New and Remanufactured) Two-Way Check Valve - Shuttle Type



Features:

- Only mount horizontally as shown
- Interchangeable with most competitive models
- Use when two valves must independently control or supply one system

Specifications:

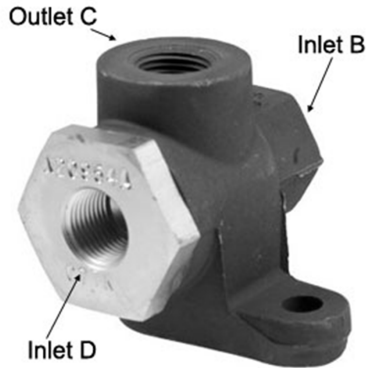
Approximate Weight: .67 lbs.

Notes:

- 1) Repair Kit use Part Number RN11W.

Service Part No.	Product Description	Inlet A	Inlet B	Outlet C	Outlet D	Notes	OEM Part Number	Core Group
KN25061	New Two-Way Check Valve - Shuttle Type	3/8" NPT Female	3/8" NPT Female	3/8" NPT Female	-	-	N20966BA	-
KN25080	New Two-Way Check Valve - Shuttle Type	3/8" NPT Male	3/8" NPT Female	3/8" NPT Female	1/4" NPT Female	-	N20966A	-
KN25090	New Two-Way Check Valve - Shuttle Type	3/8" NPT Female	3/8" NPT Female	3/8" NPT Female	1/4" NPT Female	-	N20966B	-
KN25100	New Two-Way Check Valve - Shuttle Type	1/2" NPT Male	3/8" NPT Female	3/8" NPT Female	3/8" NPT Female	-	N20966G	-
KN25110	New Two-Way Check Valve - Shuttle Type	3/8" NPT Female	3/8" NPT Female	3/8" NPT Female	3/8" NPT Female	-	N20966F	-
KN25120	New Two-Way Check Valve - Shuttle Type	1/4" NPT Female	1/4" NPT Female	1/4" NPT Female	1/4" NPT Female	-	N20966M	-

**Haldex (New and Remanufactured)
Two-Way Check Valve - Diaphragm Type**



Features:

- Not position sensitive
- Can be used in place of ball or shuttle types
- Use when two valves must independently control or supply one system

Approximate Weight: .3 lbs

Notes:

- 1) Repair Kit use Part Number RN11V.

Service Part No.	Product Description	Inlet B	Inlet D	Outlet C	Notes	OEM Part Number	Core Group
KN25060	New Two-Way Check Valve - Diaphragm Type	3/8" NPT Female	3/8" NPT Female	3/8" NPT Female	-	N20954A	-

**Competitive (New and Remanufactured)
Bendix® DS-1**



Features:

- Stoplight switch
- Functions as both a stoplight switch and a double check valve
- Used in Pre-FMVSS-121 single circuit systems

Specifications:

Approximate Weight: .9 lbs.
Terminal Thread: 8/32

Notes:

- 1) Repair Kit not available.

Service Part No.	Product Description	Male Port	Female Port	Notes	OEM Part Number	Core Group
228050RX	Remanufactured Bendix DS-1 Double Check Valve - CoreFree	1/2" (1)	1/4" (2)	-	-	-
228050X	Remanufactured Bendix DS-1 Double Check Valve	1/2" (1)	1/4" (2)	-	-	140DS1
228165RX	Remanufactured Bendix DS-1 Double Check Valve - CoreFree	3/8" (1)	1/4" (2)	-	-	-
228165X	Remanufactured Bendix DS-1 Double Check Valve	3/8" (1)	1/4" (2)	-	-	140DS1
228520RX	Remanufactured Bendix DS-1 Double Check Valve - CoreFree	1/2" (1)	1/4" (1) 3/8" (1)	-	-	-
228520X	Remanufactured Bendix DS-1 Double Check Valve	1/2" (1)	1/4" (1) 3/8" (1)	-	-	140DS1

Haldex (New and Remanufactured) Auxiliary - Adjustable



Features:

- For auxiliary systems only - not used in the brake system
- Used in air systems where reduced pressure levels are required
- Pressure settings are based on 100 PSI supply
- Designed for constant supply - not on/off applications

Approximate Weight: .31 lbs

Notes:

- 1) Repair Kit use Part Number RN17Y.

Service Part No.	Product Description	Inlet	Outlet	Factory Pressure Settings	Notes	OEM Part Number	Core Group
KN31040	New Air Regulating Valve for Auxiliary Systems - Adjustable	1/4" NPT	1/4" NPT	20 PSI	-	N15817A	-
KN31050	New Air Regulating Valve for Auxiliary Systems - Adjustable	1/4" NPT	1/4" NPT	45 PSI	-	N15817F	-
KN31060	New Air Regulating Valve for Auxiliary Systems - Adjustable	1/4" NPT	1/4" NPT	65 PSI	-	N15817K	-

Haldex (New and Remanufactured) Manual - Adjustable



Features:

- May be used to pre-set pressure levels on accessory systems
- A non-exhaust type regulator

Approximate Weight: 1 lbs

Notes:

- 1) Repair Kit not available.

Service Part No.	Product Description	Delivery	Supply	Pressure Settings	Notes	OEM Part Number	Core Group
KN31070	New Air Regulating Valve Manual - Adjustable	3/8" NPT	3/8" NPT	Adjusts from 10 - 125 PSI output	-	N10044K	-

VALVES

Pressure Protection Valves

Haldex (New and Remanufactured) Pressure Protection Valve



Features:

- Protects the air brake system in the event of a leak or failure within the air suspension system
- Premium Valve has a serviceable replacement filter that minimizes contaminants and other debris from entering other air system accessories

Notes:

- 1) Replacement Filter Kit for Premium Valve use Part Number 48100200.
- 2) Repair Kit not available.

Service Part No.	Product Description	All Ports	Closing Pressure	Opening Pressure	Notes	OEM Part Number	Core Group
90554107	New Pressure Protection Valve - Premium	1/4" NPT	70 PSIG	75 PSIG Minimum	-	-	-
90554151	New Pressure Protection Valve - Premium	M12 x 1.5	5.2 BAR Min.	6.1 BAR Minimum	-	-	-
90555396	New Pressure Protection Valve	1/4" NPT	65 PSI	70 PSI	-	-	-
90555397	New Pressure Protection Valve	1/4" NPT	80 PSI	85 PSI	-	-	-
90555398	New Pressure Protection Valve	1/4" NPT	90 PSI	95 PSI	-	-	-
90555409	New Pressure Protection Valve with One-Way Check	1/4" NPT	65 PSI	70 PSI	-	-	-
90555410	New Pressure Protection Valve with One-Way Check	1/4" NPT	80 PSI	85 PSI	-	-	-
90555411	New Pressure Protection Valve with One-Way Check	1/4" NPT	90 PSI	95 PSI	-	-	-

Competitive (New and Remanufactured) Bendix® PR-2



Features:

- Protects the brake system from accessory failure
- Pressure setting is adjustable

Approximate Weight: .7 lbs

Notes:

- 1) Repair Kit not available.

Service Part No.	Product Description	Delivery	Supply	Notes	OEM Part Number	Core Group
277147RX	Remanufactured Bendix PR-2 Pressure Protection Valve - CoreFree	1/4"	1/4"	Minimum Closing Pressure 65 PSI	-	-
277147X	Remanufactured Bendix PR-2 Pressure Protection Valve	1/4"	1/4"	Minimum Closing Pressure 65 PSI	-	152PR4
277148RX	Remanufactured Bendix PR-2 Pressure Protection Valve - CoreFree	1/4"	1/4"	Minimum Closing Pressure 85 PSI	-	-
277148X	Remanufactured Bendix PR-2 Pressure Protection Valve	1/4"	1/4"	Minimum Closing Pressure 85 PSI	-	152PR4

Competitive (New and Remanufactured) Bendix® PR-4



Features:

- Protects the brake system from accessory failure
- Pressure setting is not adjustable

Approximate Weight: .6 lbs

Notes:

- 1) Repair Kit not available.

Service Part No.	Product Description	Delivery	Supply	Notes	OEM Part Number	Core Group
286500RX	Remanufactured Bendix PR-4 Pressure Protection Valve - CoreFree	1/4"	1/4"	Minimum Closing Pressure 85 PSI	-	-
286500X	Remanufactured Bendix PR-4 Pressure Protection Valve	1/4"	1/4"	Minimum Closing Pressure 85 PSI	-	152PR4

Haldex (New and Remanufactured) Pressure Relief Valves



Features:

- Protects the system from damage due to excessive pressure
- Made of brass and stainless steel
- Will not rust or corrode

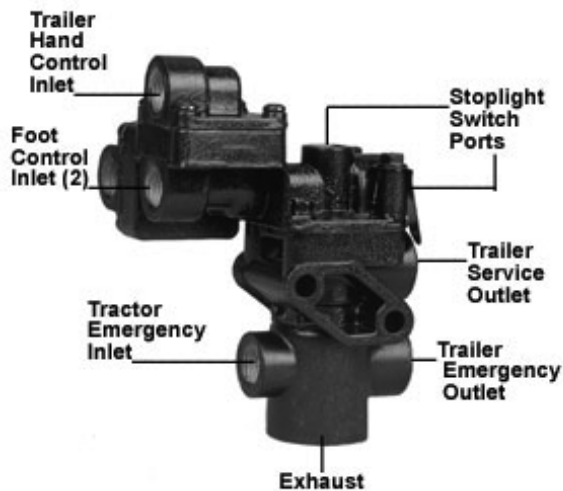
Approximate Weight: .3 lbs

Notes:

- 1) Repair Kit not available.

Service Part No.	Product Description	Body Style	Thread Size	PSI	Notes	OEM Part Number
KN31200	New Haldex Pressure Relief Valve	Short	1/4"	150	-	N1178AA
KN31250	New Haldex Pressure Relief Valve	Short	3/8"	150	Pure Air	N1178BB
KN31300	New Haldex Pressure Relief Valve	Short	1/2"	150	-	N1178AC
KN31400	New Haldex Pressure Relief Valve	Long	1/4"	150	-	N1178CA
KN31450	New Haldex Pressure Relief Valve	Long	3/8"	150	-	N1178CB
KN31526	New Haldex Pressure Relief Valve	Closed	1/4"	250	EL Compressor	N1178DB
KN31527	New Haldex Pressure Relief Valve	Closed	3/8"	175	Pure Air Plus, PURest, ModulAir	N1178EE
KN35128	New Haldex Pressure Relief Valve	Closed	1/4"	170	-	N1178EC
KN35129	New Haldex Pressure Relief Valve	Closed	3/8"	200	Pure Air Plus, PURest, ModulAir - fit and functionality same as KN31527 but has a higher pressure setting. Has felt sleeve (not shown) to protect vent holes from road debris.	N1178EH

Haldex (New and Remanufactured) Two-Line Manifold Style



Features:

- Can replace up to four valves on competitive systems

Approximate Weight: 1.5 lbs

Notes:

- 1) Repair Kit use Part Number RN31BC.
- 2) Includes tractor protection, two double-check valves, stoplight switch port and built-in quick release, all in one valve.

Service Part No.	Product Description	Tractor Emergency Inlet	Foot Control	Hand Control	Stop Light Switch	Trailer Service Outlet	Trailer Emergency Outlet	Exhaust Tube	Notes	OEM Part Number
KN34080X	Remanufactured Haldex Two-Line Manifold Style	3/8"	3/8" (2)	3/8"	1/4" (1) 3/8" plugged (1)	3/8"	3/8"	No	Core Group 225	-
KN34090X	Remanufactured Haldex Two-Line Manifold Style	3/8"	3/8" (2)	3/8"	1/4" (1) 3/8" plugged (1)	1/2"	1/2"	No	Core Group 225	-
KN34100X	Remanufactured Haldex Two-Line Manifold Style	3/8"	3/8" (2)	3/8"	1/4" (1)	3/8"	3/8"	No	Core Group 225	-
KN34101	New Haldex Two-Line Manifold Style	3/8" PTC	1/2" PTC (1) 3/8" PTC (1)	3/8" PTC	1/4" (1)	1/2"	1/2"	No	PTC Fittings	N30162RD
KN34110	New Haldex Two-Line Manifold Style	3/8"	3/8" (2)	3/8"	1/4" (1)	1/2"	1/2"	Yes	-	N30162MA
KN34110X	Remanufactured Haldex Two-Line Manifold Style	3/8"	3/8" (2)	3/8"	1/4" (1)	1/2"	1/2"	Yes	Core Group 225	N30162MA
KN34111	New Haldex Two-Line Manifold Style	3/8"	3/8" (2)	3/8"	1/4" (1)	1/2"	1/2"	No	-	N30162ME
KN34123	New Haldex Two-Line Manifold Style	3/8" PTC	1/2" PTC (1) 3/8" PTC (1)	3/8" PTC	1/4" 45° PTC (1)	1/2"	1/2"	No	PTC Fittings Volvo Application	N30162RJ
KN34130	New Haldex Two-Line Manifold Style	3/8"	3/8" (2)	3/8"	1/4" (1) 1/8" Plugged (1)	1/2"	1/2"	Yes	Body rotated 180° from picture	N30162PC
KN34131	New Haldex Two-Line Manifold Style	3/8"	3/8" (2)	-	1/4" (1)	1/2"	1/2"	No	-	N30162MG

VALVES

Tractor Protection Valves

Haldex (New and Remanufactured) Two-Line Non-Automatic



Features:

- Quick release feature eliminates the need for an extra valve
- Will not allow trailer brake compounding
- Directly replaces competitive valves
- Available with Push-To-Connect (PTC) fittings for easy installation

Approximate Weight: 1.3 lbs

Notes:

- 1) MUST BE USED WITH PRESSURE SENSING DASH CONTROL VALVE.
- 2) Repair Kit not available.

Service Part No.	Product Description	Tractor Service	Tractor Emergency	Trailer Service	Trailer Emergency	Notes	OEM Part Number	Core Group
KN34060	New Haldex Two-Line Non-Automatic	3/8"	1/4"	1/2"	1/2"	-	N20949CA	-
KN34060X	Remanufactured Haldex Two-Line Non-Automatic	3/8"	1/4"	1/2"	1/2"	-	N20949CA	225
KN34061	New Haldex Two-Line Non-Automatic	3/8"	1/4"	1/2"	1/2"	Exhaust Fitting	N20949CF	-

Competitive (New and Remanufactured) Bendix® TP-2



Features:

- Dual mounting
- 3-Line automatic style
- Used in pre-FMVSS-121 vehicles
- Used in conjunction with dash mounted control valves

Approximate Weight: .8 lbs

Notes:

- 1) Repair Kit use Part Number 229418K.

Service Part No.	Product Description	Tractor Control	Tractor Service	Tractor Emergency	Trailer Service	Trailer Emergency	Stoplight Switch	Core Group
227661X	Remanufactured Bendix TP-2 Tractor Protection Valve	1/4"	3/8"	3/8"	3/8"	3/8"	-	111TP3
227672X	Remanufactured Bendix TP-2 Tractor Protection Valve	1/4"	3/8"	3/8"	1/2"	1/2"	-	111TP3
283090RX	Remanufactured Bendix TP-2 Tractor Protection Valve - CoreFree	1/4"	3/8"	3/8"	1/2"	1/2"	1/8"	-
283090X	Remanufactured Bendix TP-2 Tractor Protection Valve	1/4"	3/8"	3/8"	1/2"	1/2"	1/8"	111TP3

Competitive (New and Remanufactured) Bendix® TP-3



Features:

- Generally mounted on the rear of the tractor cab
- 2-Line non-automatic style
- Meets FMVSS-121 requirements
- Used in conjunction with dash mounted control valves

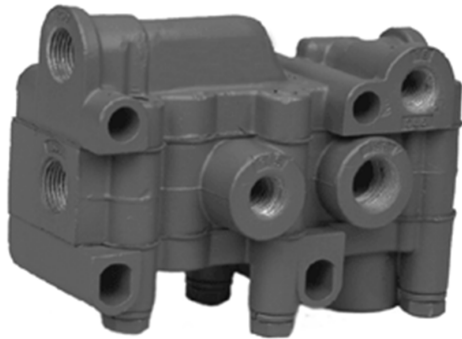
Approximate Weight: .8 lbs

Notes:

- 1) Repair Kit use Part Number 280858K.

Service Part No.	Product Description	Tractor Service	Tractor Emergency	Trailer Service	Trailer Emergency	Notes	OEM Part Number	Core Group
279000RX	Remanufactured Bendix TP-3 Tractor Protection Valve - CoreFree	3/8"	1/4"	1/2"	1/2"	Functions between 20-45 PSI	-	-
279000X	Remanufactured Bendix TP-3 Tractor Protection Valve	3/8"	1/4"	1/2"	1/2"	Functions between 20-45 PSI	-	111TP3
279692RX	Remanufactured Bendix TP-3 Tractor Protection Valve - CoreFree	3/8"	1/4"	3/8"	3/8"	Functions between 20-45 PSI	-	-
279692X	Remanufactured Bendix TP-3 Tractor Protection Valve	3/8"	1/4"	3/8"	3/8"	Functions between 20-45 PSI	-	111TP3

Competitive (New and Remanufactured) Bendix® TP-4



Features:

- Formerly VM-1 Control Valve Manifold
- Combination of a tractor protection valve and two double-check valves
- Used in conjunction with a PP-3 or PP-7 to perform normal functions of a tractor protection valve

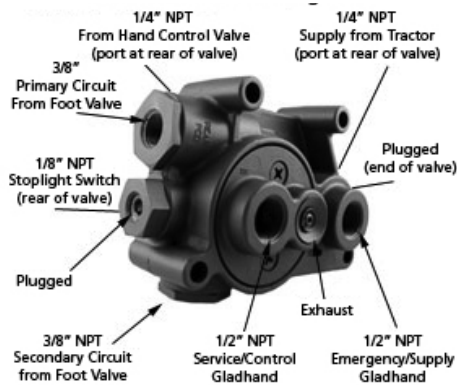
Approximate Weight: 2.2 lbs

Notes:

- 1) Ford "L" Model tractors only.
- 2) Repair Kit use Part Number 283863K.

Service Part No.	Product Description	Delivery	Trailer Service	Trailer Emergency	Stoplight Switch	Notes	OEM Part Number	Core Group
288301X	Remanufactured Bendix TP-4 Tractor Protection Valve	3/8" (2)	3/8"	1/4"	1/4"	-	-	113TP5

Competitive (New and Remanufactured) Bendix® TP-5



Features:

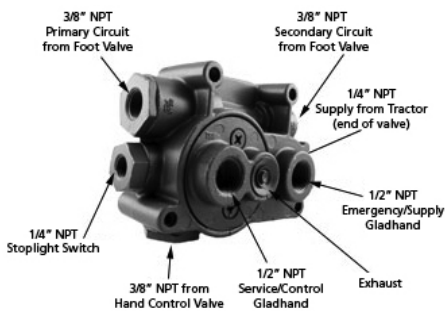
- Formerly VM-2 Control Valve Manifold
- Performs same functions as the TP-4
- Includes a quick release feature

Approximate Weight: 2.5 lbs

Notes:

- 1) Repair Kit use Part Number 289061K.

Service Part No.	Product Description	Notes	OEM Part Number	Core Group
106941X	Remanufactured Bendix TP-5 Tractor Protection Valve	Mounting Holes Not Threaded	-	113TP5



Features:

- Formerly VM-2 Control Valve Manifold
- Performs same functions as the TP-4
- Includes a quick release feature

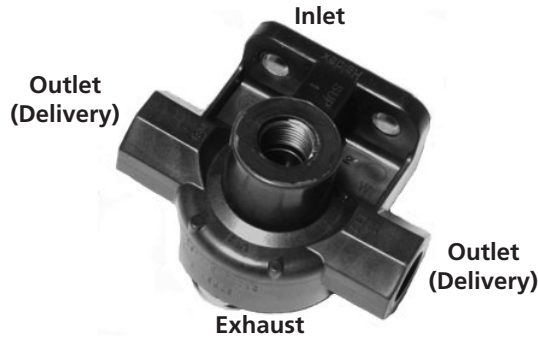
Approximate Weight: 2.5 lbs

Notes:

- 1) Repair Kit use Part Number 289061K.

Service Part No.	Product Description	Notes	OEM Part Number	Core Group
288605RX	Remanufactured Bendix TP-5 Tractor Protection Valve - CoreFree	Threaded Mounting Holes	-	113TP5
288605X	Remanufactured Bendix TP-5 Tractor Protection Valve	Threaded Mounting Holes	-	113TP5

Haldex (New and Remanufactured) Quick Release Valve



Open Bottom



Bottom Cover (KN32013)

Features:

- Used wherever a quick release function is required in the air brake system
- Made of durable Engineering Grade Composite (EGC)
- Corrosion and weather resistant
- Utilizes an oil resistant diaphragm for longer life
- Available with Push-To-Connect (PTC) fittings

Approximate Weight:

See Table Below

Notes:

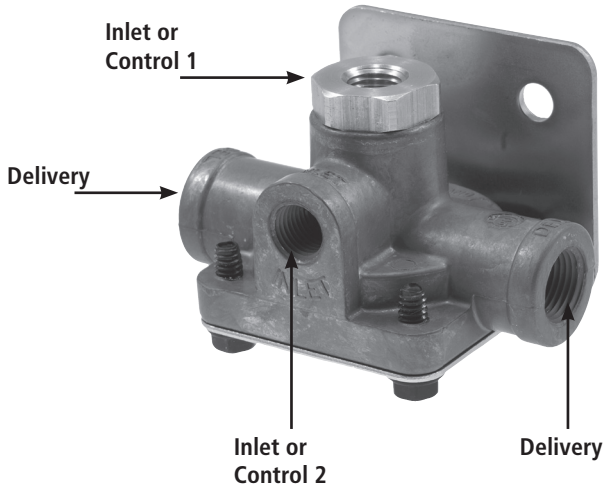
- 1) Repair Kit not available.

Service Part No.	Product Description	Inlet	Delivery	Crack Pressure	Notes/ Approximate Weight	OEM Part Number	Core Group
KN32003	New Haldex Quick Release Valve	1/2"	3/8"	3	Open Bottom, .35 lbs.	N20959HA	-
KN32005	New Haldex Quick Release Valve	3/8"	3/8"	0	Open Bottom, .30 lbs.	N20959MB	-
KN32006	New Haldex Quick Release Valve	3/8"	3/8"	3	Open Bottom, .35 lbs.	N20959NB	-
KN32011	New Haldex Quick Release Valve	1/2"	3/8"	0	Open Bottom, .30 lbs.	N20959MA	-
KN32013	New Haldex Quick Release Valve	1/2"	3/8"	0	With Bottom Cover, .30 lbs.	N20959KA	-
KN32014	New Haldex Quick Release Valve	1/2"	1/2" PTC	0	Open Bottom Push-To-Connect (PTC) Fittings, 1 lb.	N20959MF	-
KN32050	New Haldex Quick Release Valve	1/2"	3/8"	6	Open Bottom, .35 lbs.	N20959NC	-
KN32060	New Haldex Quick Release Valve	3/8"	3/8"	6	Open Bottom, .43 lbs.	N20959ND	-

VALVES

Quick Release Valves

Haldex (New and Remanufactured) Quick Release Valve with Two-Way Check



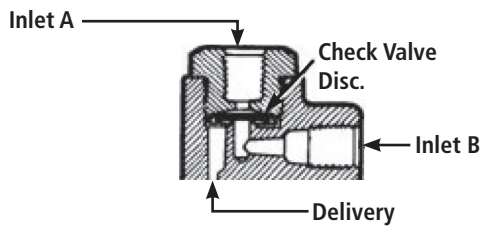
Features:

- Used in spring brake control circuits to prevent compounding on trucks and tractors
- Replaces two valves with one
- The diaphragm and disk are oil resistant for longer life
- Available with Push-To-Connect (PTC) fittings

Mounting Center: 1.50"
Approximate Weight: 1 lb.

Notes:

- 1) Repair Kit use Part Number RN19AF.



Service Part No.	Product Description	Control	Delivery	Notes	OEM Part Number	Core Group
KN32040	New Haldex Quick Release Valve with Two-Way Check	1/4" (2)	1/4" (2)	-	N20952AC	-
KN32041	New Haldex Quick Release Valve with Two-Way Check	1/4" (2)	3/8" (2)	-	N20952AD	-
KN32042	New Haldex Quick Release Valve with Two-Way Check	1/4" (2)	3/8" (2)	Reversed Bracket	N20952AE	-

Competitive (New and Remanufactured) Bendix® LQ-2 Quick Release Valve - Limited



Features:

- Mounted on front axle
- Limits front axle brake applicaiton by 50% on slippery roads, full application pressure on dry roads
- Serves as a Quick Release Valve for the front axle
- Used on pre-FMVSS121 vehicles

Approximate Weight: 1 lb.

Notes:

- 1) Repair Kit use Part Number 282098K.

Service Part No.	Product Description	Supply	Delivery	Cut-Out Port	Notes	OEM Part Number	Core Group
229505RX	Remanufactured Bendix LQ-2 Quick Release Valve Limited - CoreFree	3/8"	3/8" (2)	1/4"	-	-	-
229505X	Remanufactured Bendix LQ-2 Quick Release Valve Limited	3/8"	3/8" (2)	1/4"	-	-	145LQ5
229507RX	Remanufactured Bendix LQ-2 Quick Release Valve Limited - CoreFree	1/2"	1/4" (2)	1/4"	-	-	-
229507X	Remanufactured Bendix LQ-2 Quick Release Valve Limited	1/2"	1/4" (2)	1/4"	-	-	145LQ5
229509RX	Remanufactured Bendix LQ-2 Quick Release Valve Limited - CoreFree	3/8"	1/4" (2)	1/4"	-	-	-
229509X	Remanufactured Bendix LQ-2 Quick Release Valve Limited	3/8"	1/4" (2)	1/4"	-	-	145LQ5

**Competitive (New and Remanufactured)
Bendix® LQ-4 Ratio Valve**



Features:

- Automatically reduces application pressure to the front service brakes
- Preset "Hold-Off" pressure prevents the front brakes from operating until the "Hold-Off" pressure is reached
- Meets FMVSS-121 requirements

Approximate Weight: .9 lbs.

Notes:

- 1) Repair Kit use Part Number 289500K.

Service Part No.	Product Description	Supply	Delivery	Nominal Hold-Off Pressure	Nominal Equalizing Pressure	OEM Part Number	Core Group
101311RX	Remanufactured Bendix LQ-4 Ratio Valve - CoreFree	3/8"	3/8"	20 PSI	70 PSI	-	-
101311X	Remanufactured Bendix LQ-4 Ratio Valve	3/8"	3/8"	20 PSI	70 PSI	-	145LQ5
289144RX	Remanufactured Bendix LQ-4 Ratio Valve - CoreFree	3/8"	3/8"	4 PSI	60 PSI	-	-
289144X	Remanufactured Bendix LQ-4 Ratio Valve	3/8"	3/8"	4 PSI	60 PSI	-	145LQ5
289148RX	Remanufactured Bendix LQ-4 Ratio Valve - CoreFree	3/8"	3/8"	10 PSI	65 PSI	-	-
289148X	Remanufactured Bendix LQ-4 Ratio Valve	3/8"	3/8"	10 PSI	65 PSI	-	145LQ5

**Competitive (New and Remanufactured)
Bendix® LQ-5 Bobtail Ratio Valve**



Features:

- Used on the front (steering) axle of tractor air brake systems
- Reduces brake application pressure during normal tractor/trailer operation
- Delivers full brake pressure to the steering axle during bobtail mode

Approximate Weight: .9 lbs.

Notes:

- 1) Repair Kit not available.

Service Part No.	Product Description	Supply	Delivery	Control	Notes	OEM Part Number	Core Group
65154X	Remanufactured Bendix LQ-5 Bobtail Ratio Valve	3/8"	3/8"	1/8"	Tractor Systems Only	-	145LQ5

Competitive (New and Remanufactured) Bendix® QR-1



Features:

- Decreases the release time on a brake application
- Exhausts air through itself rather than through the controlling valve

Approximate Weight: .8 lbs.

Notes:

- 1) Repair Kit not available.

Service Part No.	Product Description	Supply	Delivery	Exhaust	Notes	OEM Part Number	Core Group
229813RX	Remanufactured Bendix QR-1 Quick Release Valve - CoreFree	3/8"	1/4"	-	Crack Pressure 1 PSI	-	-
229813X	Remanufactured Bendix QR-1 Quick Release Valve	3/8"	1/4"	-	Crack Pressure 1 PSI	-	118QR1
229844RX	Remanufactured Bendix QR-1 Quick Release Valve - CoreFree	1/2"	1/4"	-	Crack Pressure 1 PSI	-	-
229844X	Remanufactured Bendix QR-1 Quick Release Valve	1/2"	1/4"	-	Crack Pressure 1 PSI	-	118QR1
229859RX	Remanufactured Bendix QR-1 Quick Release Valve - CoreFree	3/8"	3/8"	-	Crack Pressure 1 PSI	-	-
229859X	Remanufactured Bendix QR-1 Quick Release Valve	3/8"	3/8"	-	Crack Pressure 1 PSI	-	118QR1
229860RX	Remanufactured Bendix QR-1 Quick Release Valve - CoreFree	1/2"	3/8"	-	Crack Pressure 1 PSI	-	-
229860X	Remanufactured Bendix QR-1 Quick Release Valve	1/2"	3/8"	-	Crack Pressure 1 PSI	-	118QR1
281024RX	Remanufactured Bendix QR-1 Quick Release Valve - CoreFree	1/4"	1/4"	-	Crack Pressure 1 PSI	-	-
281024X	Remanufactured Bendix QR-1 Quick Release Valve	1/4"	1/4"	-	Crack Pressure 1 PSI	-	118QR1
288251RX	Remanufactured Bendix QR-1 Quick Release Valve - CoreFree	3/8"	3/8"	3/8"	Crack Pressure 1 PSI	-	-
288251X	Remanufactured Bendix QR-1 Quick Release Valve	3/8"	3/8"	3/8"	Crack Pressure 1 PSI	-	118QR1

Competitive (New and Remanufactured) Bendix® QR-1C Quick Release and Double Check Valve



Features:

- Functions as a quick release valve for the emergency side of the spring brakes
- Double check valve prevents simultaneous application of the emergency side of the spring brakes (anti-compounding)
- Supply and delivery differential is 1 PSI maximum

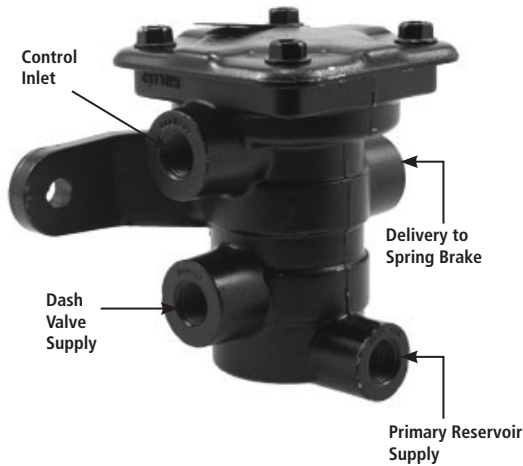
Approximate Weight: 1.2 lbs.

Notes:

- 1) Repair Kit not available.

Service Part No.	Product Description	Supply	Delivery	Notes	OEM Part Number	Core Group
289182RX	Remanufactured Bendix QR-1C Quick Release and Double Check Valve - CoreFree	1/4"	1/4"	Crack Pressure 1 PSI	-	-
289182X	Remanufactured Bendix QR-1C Quick Release and Double Check Valve	1/4"	1/4"	Crack Pressure 1 PSI	-	118QR1
289714RX	Remanufactured Bendix QR-1C Quick Release and Double Check Valve - CoreFree	1/4"	3/8"	Crack Pressure 1 PSI	-	-
289714X	Remanufactured Bendix QR-1C Quick Release and Double Check Valve	1/4"	3/8"	Crack Pressure 1 PSI	-	118QR1

Haldex (New and Remanufactured) Inversion Valve - Pre-March 1998



Features:

- Complies with pre-March 1998 FMVSS-121 regulations
- Detects primary reservoir air system failure, allowing modulated control of spring brakes
- Interchangeable with competitive models (with hose line relocation)
- Available with Push-To-Connect (PTC) fittings

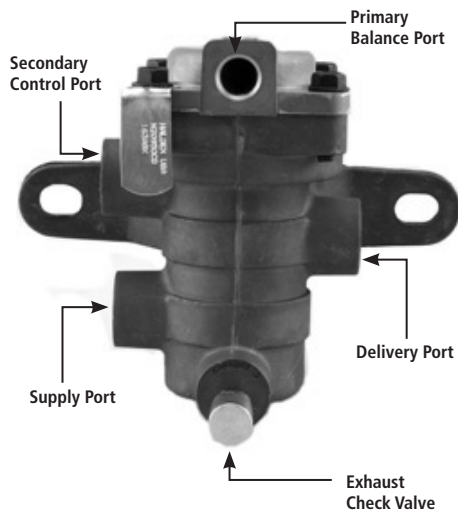
Approximate Weight: 1.6 lbs.

Notes:

- 1) Repair Kit use Part Number RN10EV.

Service Part No.	Product Description	Primary Reservoir	Supply	Control	Delivery	Notes	OEM Part Number	Core Group
KN28030	New Haldex Inversion Valve	3/8"	3/8"	20 PSI	70 PSI	Mounting Centers 4.65"	N20950AA	-
KN28030X	Remanufactured Haldex Inversion Valve	3/8"	3/8"	20 PSI	70 PSI	Mounting Centers 4.65"	N20950AA	225
KN28034	New Haldex Inversion Valve	3/8" PTC	3/8" PTC	3/8" PTC	3/8" PTC	Mounting Centers 4.65"	N20950AB	-

Haldex (New and Remanufactured) Inversion Valve - March 1998



Features:

- Used with spring brake equipped truck or tractors
- Complies with FMVSS-121 regulations effective March 1998
- Detects primary control line failure, allowing modulated control of spring brakes
- Interchangeable with competitive models without anti-compounding features

Approximate Weight: 1.7 lbs.

Notes:

- 1) Repair Kit use Part Number RN10JT.

Service Part No.	Product Description	Primary Balance	Supply	Control	Delivery	Notes	OEM Part Number	Core Group
KN28032	New Haldex Inversion Valve	1/4"	1/4"	1/4"	1/4"	Mounting Centers 4.65"-5.00"	N20950CA	-

VALVES

Inversion Valves

Competitive (New and Remanufactured) Bendix® SR-1



Features:

- Used on trucks and tractors with dual air brake systems
- Spring brake release pressure is limited to 90-95 PSI through the SR-1
- Normal parking functions are controlled through the SR-1

Approximate Weight: 2.1 lbs.

Notes:

- 1) Repair Kit use Part Number 287072K.

Service Part No.	Product Description	Supply	Delivery	Reservoir	Control	Notes	OEM Part Number	Core Group
286364RX	Remanufactured Bendix SR-1 Spring Brake Valve - CoreFree	1/4"	1/4"	1/4"	1/4"	Reservoir Trip Pressure 55 PSI	-	-
286364X	Remanufactured Bendix SR-1 Spring Brake Valve	1/4"	1/4"	1/4"	1/4"	Reservoir Trip Pressure 55 PSI	-	117SR4

VALVES

Drain Valves

Haldex (New and Remanufactured) Drain Valve - Automatic



Features:

- Available heated (12V, 5A) and non-heated
- Mounts to side or bottom of wet tank
- Functions when pressure varies in air tank
- Only one moving part
- Cable looped on both ends

Approximate Weight: 1.7 lbs.

Notes:

- 1) Exhaust port must be facing down.
- 2) Direct replacement for Bendix® DV2.
- 3) Repair Kit use Part Number RN10HH.
- 4) Replacement Parts:
5' Cable Kit - Part Number 10027
Filter Assembly - Part Number KN24100

Service Part No.	Product Description	Manual Drain Valve	Cable Length	Notes	OEM Part Number	Core Group
KN24000	New Haldex Automatic Drain Valve	Yes	60"	Non-Heated; all ports 1/4"-18 threaded	N20878A	-
KN24000X	Remanufactured Haldex Automatic Drain Valve	Yes	60"	Non-Heated; all ports 1/4"-18 threaded	N20878A	200
KN24001	New Haldex Automatic Drain Valve	Yes	60"	Heated; all ports 1/4"-18 threaded	N20879A	-
KN24003	New Haldex Automatic Drain Valve	Yes	64"	Heated; includes Packard Connector; all ports 1/4"-18 threaded	N20879BA	-

Haldex (New and Remanufactured) Drain Valve - Manual



High Profile



Low Profile

Features:

- Manual wet or dry tank drain valve
- Allows complete draining of reservoirs
- Available with many cable options
- Available in low or high profile design

Approximate Weight: .3 lbs.

Notes:

- 1) Replacement Parts: 5' Cable Kit - Part Number 10027.

Service Part No.	Product Description	Manual Drain Valve	Cable Length	Notes	OEM Part Number	Core Group
12100	New Haldex Manual Drain Valve	High	Less Cable	1/4" NPT (male) with sealant	N15841	-
12102	New Haldex Manual Drain Valve	High	24" Cable Closed Loop	1/4" NPT (male) with sealant	N3613H	-
12103	New Haldex Manual Drain Valve	High	36" Cable Closed Loop	1/4" NPT (male) with sealant	N3613S	-
12104	New Haldex Manual Drain Valve	High	48" Cable Closed Loop	1/4" NPT (male) with sealant	N3613Z	-
12105	New Haldex Manual Drain Valve	High	60" Cable Closed Loop	1/4" NPT (male) with sealant	N3613AD	-
KN21004	New Haldex Manual Drain Valve	High	48" unclaspd supplied with ferrule	1/4" NPT (male) with sealant	N3613AV	-
KN21008	New Haldex Manual Drain Valve	High	96" unclaspd supplied with ferrule	1/4" NPT (male) with sealant	N3613BB	-
KN21100	New Haldex Manual Drain Valve	Low	Less Cable	1/4" NPT (male) with sealant	-	-
KN21102	New Haldex Manual Drain Valve	Low	24" Cable Closed Loop	1/4" NPT (male) with sealant	-	-
KN21103	New Haldex Manual Drain Valve	Low	36" Cable Closed Loop	1/4" NPT (male) with sealant	-	-
KN21104	New Haldex Manual Drain Valve	Low	48" Cable Closed Loop	1/4" NPT (male) with sealant	-	-
KN21105	New Haldex Manual Drain Valve	Low	60" Cable Closed Loop	1/4" NPT (male) with sealant	-	-
KN21300	New Haldex Manual Drain Valve - Metric	Metric	Less Cable	M12 x 1.5 per ISO 4039-2	N15841F	-
KN21301	New Haldex Manual Drain Valve - Metric	Metric	42" Cable Closed Loop	M12 x 1.5 per ISO 4039-2	N3614AA	-
KN21302	New Haldex Manual Drain Valve - Metric	Metric	36" Cable Closed Loop	M12 x 1.5 per ISO 4039-2	N3614AC	-

VALVES

Drain Valves

Competitive (New and Remanufactured) Bendix® DV-2 Drain Valve - Automatic



Features:

- Mounts into bottom drain port of the reservoir
- Only one moving part
- KN24000 and KN24001 can also be used for this application.

Approximate Weight: See Chart

Notes:

- 1) Repair Kit use Part Number 282134K.

Service Part No.	Product Description	Approximate Weight	Notes	OEM Part Number	Core Group
281923RX	Remanufactured Bendix DV-2 Automatic Drain Valve - CoreFree	1.2 lbs.	Non-Heated	-	-
281923X	Remanufactured Bendix DV-2 Automatic Drain Valve	1.2 lbs.	Non-Heated	-	146DV2
284795RX	Remanufactured Bendix DV-2 Automatic Drain Valve - CoreFree	1.4 lbs.	Heated	-	-
284795X	Remanufactured Bendix DV-2 Automatic Drain Valve	1.4 lbs.	Heated	-	146DV2

VALVES

Solenoid Valves

Haldex (New and Remanufactured) Solenoid Valves



This unit must be mounted in an upright position as shown.

Features:

- For intermittent use only
- Operated electrically by a simple "on-off" switch
- Operates to deliver air through one port in the "on" position
- Grounds through bracket
- Normally "closed"

Approximate Weight: 1.3 lbs.

Notes:

- 1) Repair Kit not available.

Service Part No.	Product Description	Voltage	Ports	Max. Operating Pressure	Standard Operating Pressure	Notes	OEM Part Number	Core Group
KN68230	New Haldex Solenoid Air Valve	12	1/4" NPTF (2)	130 PSI	125 PSI	-	-	-
KN68237	New Haldex Solenoid Air Valve	24	1/4" NPTF (2)	130 PSI	125 PSI	-	-	-

Competitive (New and Remanufactured) Meritor WABCO Style Rear Axle Valve Packs



Features:

- Combines two ABS modulator valves and one service brake relay valve
- Usually attached to a frame cross-member
- Compatible with C, D and E versions of Meritor WABCO Style ECUs
- For a tandem drive axle, both wheels on the same side are typically controlled by the same valve



Bayonet Connector



Screw In Connector

Approximate Weight: 6 lbs.

Notes:

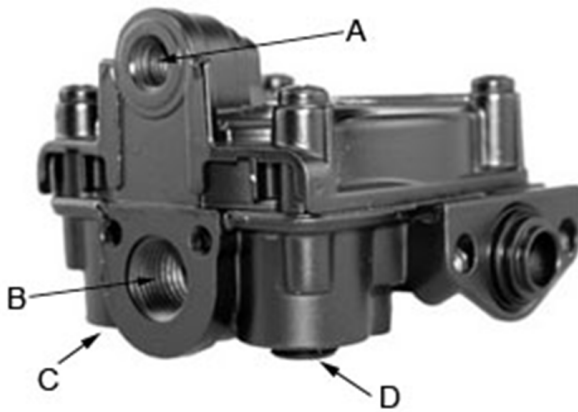
- 1) Use the following converter cables to switch connector styles:
Screw to Bayonet - Part #8946011322K
Bayonet to Screw - Part #8946011332K
- 2) Repair Kit not available.

Service Part No.	Product Description	Crack Pressure	System Config.	Connector Type	Notes	OEM Part Number	Core Group
4725001000X	Remanufactured Rear Axle Valve Pack 4721950800X (1) Modulator Valve Left 4721950810X (1) Modulator Valve Right 9730110210X (1) Relay Valve 4 PSI	4 PSI	4S/4M	Screw-In	12V 1/2"-14 NPT Modulator Valve Ports	-	ABS5
4725001010X	Remanufactured Rear Axle Valve Pack 4721950800X (1) Modulator Valve Left 4721950810X (1) Modulator Valve Right 9730110220X (1) Relay Valve 5.5 PSI	5.5 PSI	4S/4M	Screw-In	12V 1/2"-14 NPT Modulator Valve Ports	-	ABS5
4725001020X	Remanufactured Rear Axle Valve Pack 4721950820X (1) Modulator Valve Left 4721950830X (1) Modulator Valve Right 9730110210X (1) Relay Valve 4 PSI	4 PSI	4S/4M 6S/4M	Screw-In	12V 1/2"-14 NPT Modulator Valve Ports	-	ABS5
4725001030X	Remanufactured Rear Axle Valve Pack 4721950820X (1) Modulator Valve Left 4721950830X (1) Modulator Valve Right 9730110220X (1) Relay Valve 5.5 PSI	5.5 PSI	4S/4M 6S/4M	Screw-In	12V 1/2"-14 NPT Modulator Valve Ports	-	ABS5
4725001200X	Remanufactured Rear Axle Valve Pack 4721950760X (1) Modulator Valve Left 4721950770X (1) Modulator Valve Right 9730110210X (1) Relay Valve 4 PSI	4 PSI	4S/4M	Bayonet	12V 1/2"-14 NPT Modulator Valve Ports	-	ABS5
4725001210X	Remanufactured Rear Axle Valve Pack 4721950760X (1) Modulator Valve Left 4721950770X (1) Modulator Valve Right 9730110220X (1) Relay Valve 5.5 PSI	5.5 PSI	4S/4M	Bayonet	12V 1/2"-14 NPT Modulator Valve Ports	-	ABS5

**Competitive (New and Remanufactured)
Meritor WABCO Style Rear Axle Valve Packs**

Service Part No.	Product Description	Crack Pressure	System Config.	Connector Type	Notes	OEM Part Number	Core Group
4725001220X	Remanufactured Rear Axle Valve Pack 4721950780X (1) Modulator Valve Left 4721950790X (1) Modulator Valve Right 9730110210X (1) Relay Valve 4 PSI	4 PSI	4S/4M 6S/4M	Bayonet	12V 1/2"-14 NPT Modulator Valve Ports	-	ABS5
4725001230X	Remanufactured Rear Axle Valve Pack 4721950780X (1) Modulator Valve Left 4721950790X (1) Modulator Valve Right 9730110220X (1) Relay Valve 5.5 PSI	5.5 PSI	4S/4M 6S/4M	Bayonet	12V 1/2"-14 NPT Modulator Valve Ports	-	ABS5
4725001240X	Remanufactured Rear Axle Valve Pack 4721950780X (1) Modulator Valve Left 4721950790X (1) Modulator Valve Right 9730110230X (1) Relay Valve 4 PSI	4 PSI	6S/6M	Bayonet	12V 1/2"-14 NPT Modulator Valve Ports	-	ABS5
4725001250X	Remanufactured Rear Axle Valve Pack 4721950780X (1) Modulator Valve Left 4721950790X (1) Modulator Valve Right 9730110240X (1) Relay Valve 5.5 PSI	5.5 PSI	6S/6M	Bayonet	12V 1/2"-14 NPT Modulator Valve Ports	-	ABS5
4725002030X	Remanufactured Rear Axle Valve Pack with ATC Valve 4721950820X (1) Modulator Valve Left 4721950830X (1) Modulator Valve Right 9730110260X (1) Relay Valve 5.5 PSI 4721707910X (1) ATC Valve	5.5 PSI	4S/4M 6S/4M	Screw-in	12V 1/2"-14 NPT Modulator Valve Ports	-	ABS5
4725002220X	Remanufactured Rear Axle Valve Pack with ATC Valve 4721950780X (1) Modulator Valve Left 4721950790X (1) Modulator Valve Right 9730110250X (1) Relay Valve 4 PSI 4721707970X (1) ATC Valve	4 PSI	4S/4M 6S/4M	Bayonet	12V 1/2"-14 NPT Modulator Valve Ports	-	ABS5
4725002230X	Remanufactured Rear Axle Valve Pack with ATC Valve 4721950780X (1) Modulator Valve Left 4721950790X (1) Modulator Valve Right 9730110260X (1) Relay Valve 5.5 PSI 4721707970X (1) ATC Valve	5.5 PSI	4S/4M 6S/4M	Bayonet	12V 1/2"-14 NPT Modulator Valve Ports	-	ABS5
4725002240X	Remanufactured Rear Axle Valve Pack with ATC Valve 4721950780X (1) Modulator Valve Left 4721950790X (1) Modulator Valve Right 9730110270X (1) Relay Valve 4 PSI 4721707970X (1) ATC Valve	4 PSI	6S/6M	Bayonet	12V 1/2"-14 NPT Modulator Valve Ports	-	ABS5
4725002250X	Remanufactured Rear Axle Valve Packw/ ATC Valve 4721950780X (1) Modulator Valve Left 4721950790X (1) Modulator Valve Right 9730110280X (1) Relay Valve 5.5 PSI 4721707970X (1) ATC Valve	5.5 PSI	6S/6M	Bayonet	12V 1/2"-14 NPT Modulator Valve Ports	-	ABS5

Competitive (New and Remanufactured) Meritor WABCO Style Relay Valve For Valve Packs



Application:

- Rear Axle ABS Valve

Approximate Weight: 1.8 lbs.

Notes:

- 1) Each individual valve includes:
 - (2) O-Rings
 - (4) Mounting Bolts
 - (1) Grease Pack
- 2) Repair Kit not available.

Service Part No.	Product Description	Crack Pressure	System Config.	Control (A)	Supply (B)	Delivery (C)	Delivery (D)	OEM Part Number	Core Group
9730110210X	Remanufactured Service Brake Relay Valve for Valve Pack	4 PSI	4S/4M or 6S/4M	1/4" - 18 NPTF	1/2" - 14 NPTF	3/8" - 18 NPTF	NA	-	ABS11
9730110220X	Remanufactured Service Brake Relay Valve for Valve Pack	5.5 PSI	4S/4M or 6S/4M	1/4" - 18 NPTF	1/2" - 14 NPTF	3/8" - 18 NPTF	NA	-	ABS11
9730110230X	Remanufactured Service Brake Relay Valve for Valve Pack	4 PSI	6S/6M	1/4" - 18 NPTF	1/2" - 14 NPTF	3/8" - 18 NPTF	3/8" - 18 NPTF	-	ABS11
9730110240X	Remanufactured Service Brake Relay Valve for Valve Pack	5.5 PSI	6S/6M	1/4" - 18 NPTF	1/2" - 14 NPTF	3/8" - 18 NPTF	3/8" - 18 NPTF	-	ABS11
9730110250X	Remanufactured Service Brake Relay Valve for Valve Pack	4 PSI	4S/4M or 6S/4M	non-threaded	non-threaded	3/8" - 18 NPTF	NA	-	ABS11
9730110260X	Remanufactured Service Brake Relay Valve for Valve Pack	5.5 PSI	4S/4M or 6S/4M	non-threaded	non-threaded	3/8" - 18 NPTF	NA	-	ABS11
9730110270X	Remanufactured Service Brake Relay Valve for Valve Pack	4 PSI	6S/6M	non-threaded	non-threaded	3/8" - 18 NPTF	3/8" - 18 NPTF	-	ABS11
9730110280X	Remanufactured Service Brake Relay Valve for Valve Pack	5.5 PSI	6S/6M	non-threaded	non-threaded	3/8" - 18 NPTF	3/8" - 18 NPTF	-	ABS11

Competitive (New and Remanufactured) Meritor WABCO Style Front Axle Valve Packs



Features:

- Combines two ABS modulator valves and one quick release valve
- Usually attached to a frame cross-member
- Compatible with C, D and E versions of Meritor WABCO Style ECUs

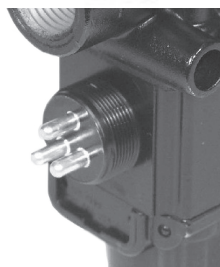
Approximate Weight: 5 lbs.

Notes:

- 1) Use the following converter cables to switch connector styles:
Screw to Bayonet - Part #8946011322K
Bayonet to Screw - Part #8946011332K
- 2) Repair Kit not available.



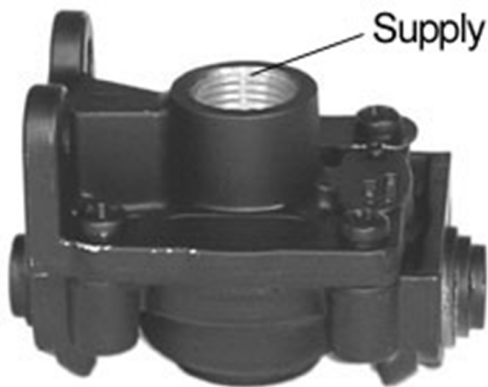
Bayonet Connector



Screw-In Connector

Service Part No.	Product Description	Crack Pressure	System Config.	Connector Type	Notes	OEM Part Number	Core Group
4725003000X	Remanufactured Front Axle Valve Pack 4721950800X (1) Modulator Valve Left 4721950810X (1) Modulator Valve Right 9735001040X (1) Quick Release Valve 1 PSI	1 PSI	Various	Screw-In	12V 1/2"-14 NPT Modulator Valve Ports	-	ABS13
4725003010X	Remanufactured Front Axle Valve Pack 4721950800X (1) Modulator Valve Left 4721950810X (1) Modulator Valve Right 9735001050X (1) Quick Release Valve 3-4 PSI	3-4 PSI	Various	Screw-In	12V 1/2"-14 NPT Modulator Valve Ports	-	ABS13
4725003020X	Remanufactured Front Axle Valve Pack 47219508020X (1) Modulator Valve Left 4721950810X (1) Modulator Valve Right 9735001060X (1) Quick Release Valve 6-8 PSI	6-8 PSI	Various	Screw-In	12V 1/2"-14 NPT Modulator Valve Ports	-	ABS13
4725003200X	Remanufactured Front Axle Valve Pack 4721950760X (1) Modulator Valve Left 4721950770X (1) Modulator Valve Right 9735001040X (1) Quick Release Valve 1 PSI	1 PSI	Various	Bayonet	12V 1/2"-14 NPT Modulator Valve Ports	-	ABS13
4725003210X	Remanufactured Front Axle Valve Pack 4721950760X (1) Modulator Valve Left 4721950770X (1) Modulator Valve Right 9735001050X (1) Quick Release Valve 3-4 PSI	3-4 PSI	Various	Bayonet	12V 1/2"-14 NPT Modulator Valve Ports	-	ABS13
4725003220X	Remanufactured Front Axle Valve Pack 4721950760X (1) Modulator Valve Left 4721950770X (1) Modulator Valve Right 9735001060X (1) Quick Release Valve 6-8 PSI	6-8 PSI	Various	Bayonet	12V 1/2"-14 NPT Modulator Valve Ports	-	ABS13

Competitive (New and Remanufactured) Meritor WABCO Style Quick Release Valve For Valve Pack



Application:
· Front Axle ABS Valve

Approximate Weight: 1 lb.

- Notes:**
- 1) Each individual valve includes:
 - (2) O-Rings
 - (4) Mounting Bolts
 - (1) Grease Pack
 - 2) Repair Kit not available.

Service Part No.	Product Description	Crack Pressure	System Config.	Supply	Notes	OEM Part Number	Core Group
9735001040X	Remanufactured Quick Release Valve for Valve Pack	1 PSI	All Steer Axle	1/2" - 14 NPTF	-	-	ABS12
9735001050X	Remanufactured Quick Release Valve for Valve Pack	3-4 PSI	All Steer Axle	1/2" - 14 NPTF	-	-	ABS12
9735001060X	Remanufactured Quick Release Valve for Valve Pack	6-8 PSI	All Steer Axle	1/2" - 14 NPTF	-	-	ABS12

Competitive (New and Remanufactured) Meritor WABCO Style ATC Valve



Features:
· Compatible with D & E versions of Meritor WABCO Style ECUs

Approximate Weight: 1.3 lbs.

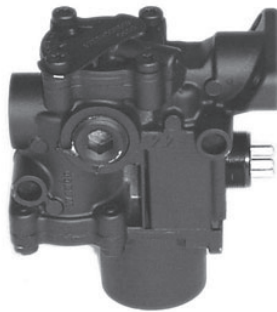
- Notes:**
- 1) Repair Kit not available.

Service Part No.	Product Description	System Config.	Connector Type	Voltage	Notes	OEM Part Number	Core Group
4721707970X	Remanufactured Automatic Traction Control Valve	-	Bayonet	12V	-	-	ABS15

Competitive (New and Remanufactured) Meritor WABCO Style Modulator Valves



In-Line Style



Left

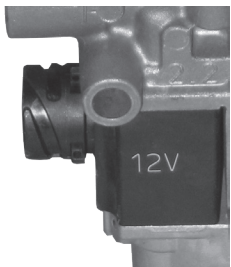
Features:

- Truck/Tractor Application
- Regulates air pressure to each ABS controlled brake
- Compatible with all versions of Meritor WABCO Style ECUs

Approximate Weight: 1.6 lbs.

Notes:

- 1) Each individual valve includes:
 - (1) O-Ring
 - (2) Mounting Bolts
 - (1) Grease Pack
- 2) Repair Kit not available.



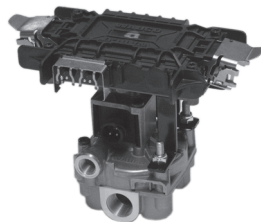
Bayonet Connector



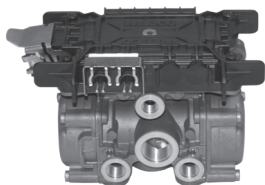
Screw-In Connector

Service Part No.	Product Description	System Config.	Connector Type	Voltage	Ports	Notes	OEM Part Number	Core Group
4721950050X	Remanufactured In-Line Style Modulator Valve	One Delivery 180° From Supply	Screw-In	12V	1/2" - 14 NPT	-	-	ABS1
4721950520X	Remanufactured In-Line Style Modulator Valve	One Delivery 180° From Supply	Bayonet	12V	1/2" - 14 NPT	-	-	ABS1
4721950760X	Remanufactured Modulator Valve - Left	4S/4M	Bayonet	12V	1/2" - 14 NPT	-	-	ABS7
4721950770X	Remanufactured Modulator Valve - Right	4S/4M	Bayonet	12V	1/2" - 14 NPT	-	-	ABS7
4721950780X	Remanufactured Modulator Valve - Left	4S/4M, 6S/4M or 6S/6M	Bayonet	12	1/2" - 14 NPT	-	-	ABS7
4721950790X	Remanufactured Modulator Valve - Right	4S/4M, 6S/4M or 6S/6M	Bayonet	12V	1/2" - 14 NPT	-	-	ABS7
4721950800X	Remanufactured Modulator Valve - Left	4S/4M	Screw-In	12V	1/2" - 14 NPT	-	-	ABS7
4721950810X	Remanufactured Modulator Valve - Right	4S/4M	Screw-In	12V	1/2" - 14 NPT	-	-	ABS7
4721950820X	Remanufactured Modulator Valve - Left	4S/4M, 6S/4M or 6S/6M	Screw-In	12V	1/2" - 14 NPT	-	-	ABS7
4721950830X	Remanufactured Modulator Valve - Right	4S/4M, 6S/4M or 6S/6M	Screw-In	12	1/2" - 14 NPT	-	-	ABS7

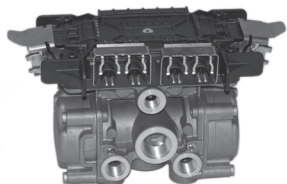
Competitive (New and Remanufactured) Meritor WABCO Style Trailer ABS Valve



4005001010X



4005001020X



4005001030X

Features:

- ABS Valve and ECU included
- For all trailers manufactured after March 2001
- ABS Valve and ECU included

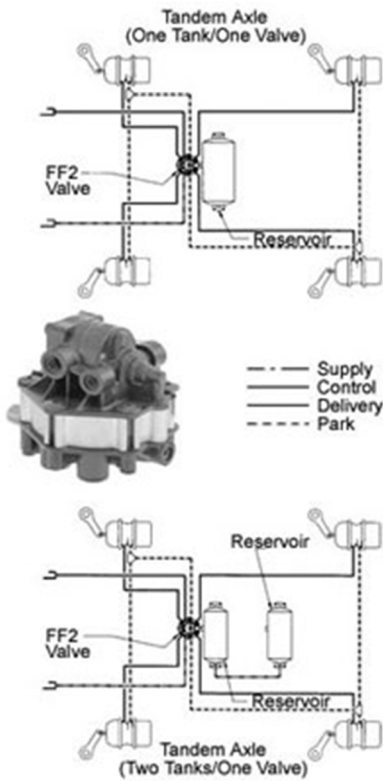
Approximate Weight: See Chart
Voltage: 12V

Notes:

- 1) Repair Kit not available.

Service Part No.	Product Description	Control Port	Delivery Port	Supply Port	Exhaust Port	Approximate Weight	Core Group
4005001010KX	Remanufactured WABCO 2S/1M Trailer ABS Assembly; Includes 89646062752K Cable	3/8" - 18	3/8" - 18	3/4" - 14	Not Threaded	5.4 lbs.	ABS20
4005001010X	Remanufactured WABCO 2S/1M Trailer ABS Assembly	3/8" - 18	3/8" - 18	3/4" - 14	Not Threaded	5.4 lbs.	ABS20
4005001020X	Remanufactured WABCO 2S/2M Trailer ABS Assembly; Dual Modulator Valve	1/4" - 18	3/8" - 18	3/4" - 14	Not Threaded	5.5 lbs.	ABS21
4005001030X	Remanufactured WABCO 2S/2M-4S/2M-4S/3M Trailer ABS Assembly; Dual Modulator Valve; Multi-Configuration	1/4" - 18	3/8" - 18	3/4" - 14	Not Threaded	5.0 lbs.	ABS21
4005001040X	Remanufactured WABCO 2S/1M Trailer ABS Assembly	3/8" - 18	3/8" - 18	3/4" - 14	Not Threaded	5.5 lbs.	ABS20
4008506020X	Remanufactured WABCO 2M Trailer ABS Valve Only	1/4" - 18	3/8" - 18	3/4" - 14	Not Threaded	5.2 lbs.	ABS23
4721950330X	Remanufactured WABCO 1M Trailer ABS Valve Only	1/4" - 18	3/8" - 18	3/4" - 14	Not Threaded	5.2 lbs.	ABS22
8946062752K	WABCO Trailer ABS Modulator Valve Cable; Connects 1M ECU to Relay Valve; .5 Meter Length; Right Angle Valve Connector 1.65"	-	-	-	-	1.6 lbs.	-

Haldex (New and Remanufactured) FF2 - Full Function Valve



Features:

- Single valve system - easy to install, maintain and troubleshoot
- Can be used with single or twin air tanks
- Valve combines a pressure protection valve, two one-way check valves, spring brake valve with quick release and a 4-port relay valve

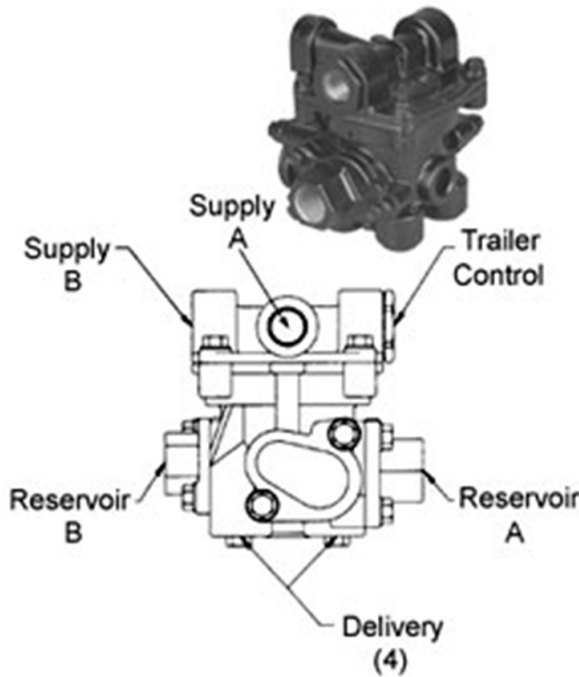
Approximate Weight: 3 lbs.

Notes:

- 1) Repair Kit not available.

Service Part No.	Product Description	Crack Pressure	Reservoir	Control	Supply	Spring Brake	Delivery	OEM Part Number	Core Group
KN28600	New Haldex FF2 - Full Function Trailer Valve	3 PSI	3/4"	1/4"	3/8"	3/8" (2)	3/8" (4)	N4304AC	-
KN28600RX	Remanufactured Haldex FF2 - Full Function Trailer Valve - CoreFree	3 PSI	3/4"	1/4"	3/8"	3/8" (2)	3/8" (4)	N4304AC	-
KN28600X	Remanufactured Haldex FF2 - Full Function Trailer Valve	3 PSI	3/4"	1/4"	3/8"	3/8" (2)	3/8" (4)	N4304AC	228
KN28601	New Haldex FF2 - Full Function Trailer Valve	3 PSI	1/2"	1/4"	3/8"	3/8" (2)	3/8" (4)	N4304AB	-
KN28601RX	Remanufactured Haldex FF2 - Full Function Trailer Valve - CoreFree	3 PSI	1/2"	1/4"	3/8"	3/8" (2)	3/8" (4)	N4304AB	-
KN28601X	Remanufactured Haldex FF2 - Full Function Trailer Valve	3 PSI	1/2"	1/4"	3/8"	3/8" (2)	3/8" (4)	N4304AB	228
KN28602	New Haldex FF2 - Full Function Trailer Valve	5 PSI	3/4"	1/4"	3/8"	3/8" (2)	3/8" (4)	N4304AE	-
KN28603	New Haldex FF2 - Full Function Trailer Valve	5 PSI	1/2"	1/4"	3/8"	3/8" (2)	3/8" (4)	N4304AD	-

Haldex (New and Remanufactured) RT4 Multi-Function Trailer Valve



Features:

- Meets all FMVSS-121 trailer requirements for spring brake control and other regulations prior to Oct. 8, 1992
- Used on trailers to control both parking and emergency brake functions
- Applies emergency (parking) brakes upon loss of trailer supply (emergency) line pressure
- Controls reservoir charging
- Interchangeable with competitive units

Approximate Weight: 4.5 lbs.

Notes:

- 1) On KN26000X/RX, KN26020 and KN26020X the trailer control port is over Reservoir Port A.
- 2) On KN26010 and KN26010X the trailer control port is over Reservoir Port B.
- 3) Repair Kit use Part Number RN10JM.

Service Part No.	Product Description	Trailer Supply (A)	Trailer Supply (B)	Trailer Control	Reservoir (A)	Reservoir (B)	Delivery	PPV Closing Pressure	OEM Part Number	Core Group
KN26000RX	Remanufactured Haldex RT4 Multi-Function Valve - Core Free	3/8"	3/8"	3/8"	1/2"	3/8"	3/8" (4)	55 PSI	-	-
KN26000X	Remanufactured Haldex RT4 Multi-Function Valve	3/8"	3/8"	3/8"	1/2"	3/8"	3/8" (4)	55 PSI	-	225
KN26010	New Haldex RT4 Multi-Function Valve	3/8"	Plugged	3/8"	1/2"	3/8"	3/8" (4)	70 PSI	N4305AA	-
KN26010X	Remanufactured Haldex RT4 Multi-Function Valve	3/8"	Plugged	3/8"	1/2"	3/8"	3/8" (4)	70 PSI	N4305AA	225
KN26020	New Haldex RT4 Multi-Function Valve	Plugged	3/8"	3/8"	1/2"	3/8"	3/8" (4)	70 PSI	N4305A	-
KN26020X	Remanufactured Haldex RT4 Multi-Function Valve	Plugged"	3/8"	3/8"	1/2"	3/8"	3/8" (4)	70 PSI	N4305A	225

Haldex (New and Remanufactured) TBC - Trailer Brake Control Valves



Features:

- Made of Engineering Grade Composite (EGC)
- Light weight and capable of withstanding high impact
- Resistant to corrosion and chemicals
- Integral anti-compounding
- Exhaust cover keeps road dirt and grime out
- Inlet filters to eliminate system contamination and promote long service life

Approximate Weight: .8 lbs.

Notes:

- 1) Internal pressure protection and check functions isolate reservoir failures to prevent automatic application of the trailer spring brakes.
- 2) Service Brake Priority applications require the tank to be filled prior to the spring brakes being released.
- 3) Repair Kit not available.

Service Part No.	Product Description	Supply Port	Control Port	Reservoir Port	Delivery Ports	Notes	OEM Part Number	Core Group
KN26110	New Haldex Trailer Brake Control (TBC) Valve	3/8"	3/8"	1/2"	3/8" (4)	Service Brake Priority Black Cover	N34031	-
KN26120	New Haldex Trailer Brake Control (TBC) Valve	3/8"	3/8"	1/2"	3/8" (4)	Spring Brake Priority White Cover	N34031A	-
KN26121	New Haldex Trailer Brake Control (TBC) Valve	3/8"	3/8"	1/2"	3/8" (4)	Service Brake Priority Black Cover; PTC Fittings	N34031AA	-

Competitive (New and Remanufactured) Bendix® SR-2 Trailer Spring Brake Valve



Features:

- Meets all FMVSS-1 requirements
- Used on trailers with dual air brake systems
- Ability to release the spring brakes at least once prior to their application

Approximate Weight: See chart

Notes:

- 1) 287376X/RX do not have a trailer service port for anti-compounding.
- 2) Repair Kit use Part Number 287691K.

Service Part No.	Product Description	Supply	Delivery	Reservoir	Service	Exhaust	Approximate Weight	OEM Part Number	Core Group
102761RX	Remanufactured Bendix SR-2 Trailer Spring Brake Valve - Core Free	1/4"	3/8" (4)	3/4"	1/4" (2)	3/8"	3.0 lbs.	-	-
102761X	Remanufactured Bendix SR-2 Trailer Spring Brake Valve	1/4"	3/8" (4)	3/4"	1/4" (2)	3/8"	3.0 lbs.	-	117SR4
103061RX	Remanufactured Bendix SR-2 Trailer Spring Brake Valve - Core Free	1/4"	3/8" (4)	1/2"	1/4" (2)	3/8"	2.8 lbs.	-	-
103061X	Remanufactured Bendix SR-2 Trailer Spring Brake Valve	1/4"	3/8" (4)	1/2"	1/4" (2)	3/8"	2.8 lbs.	-	117SR4
287376RX	Remanufactured Bendix SR-2 Trailer Spring Brake Valve - Core Free	1/4"	3/8" (4)	3/4"	1/4"	3/8"	1.7 lbs.	-	-
287376X	Remanufactured Bendix SR-2 Trailer Spring Brake Valve	1/4"	3/8" (4)	3/4"	1/4"	3/8"	1.7 lbs.	-	117SR4

**Competitive (New and Remanufactured)
Bendix® SR-4 Trailer Spring Brake Valve**



Features:

- Meets all FMVSS-1 requirements
- Used on trailers with to control both parking and emergency brake functions
- KN26000X Haldex RT4 Valve may also be used for this application.

Approximate Weight: 101112X/RX 2.9 lbs.
101622X/RX 3.4 lbs.

Notes:

- 1) Repair Kit use Part Number 102048K.

Service Part No.	Product Description	Supply Port	Delivery Port	Reservoir Port	Service Ports	Notes	OEM Part Number	Core Group
101112RX	Remanufactured Bendix SR-4 Trailer Spring Brake Valve - CoreFree	1/4"	3/8" (4) 1/4" (1)	3/4"	1/4"	Reservoir Male Connector Port - 3/4"	-	-
101112X	Remanufactured Bendix SR-4 Trailer Spring Brake Valve	1/4"	3/8" (4) 1/4" (1)	3/4"	1/4"	Reservoir Male Connector Port - 3/4"	-	117SR4
101622RX	Remanufactured Bendix SR-4 Trailer Spring Brake Valve - CoreFree	1/4"	3/8" (4) 1/4" (1)	3/4"	1/4"	Reservoir Male Connector Port - 1/2"	-	-
101622X	Remanufactured Bendix SR-4 Trailer Spring Brake Valve	1/4"	3/8" (4) 1/4" (1)	3/4"	1/4"	Reservoir Male Connector Port - 1/2"	-	117SR4

**Competitive (New and Remanufactured)
Bendix® SR-5 Trailer Spring Brake Valve with Anti-Compounding**



Features:

- Meets all FMVSS-1 requirements
- Used on trailers with dual air brake systems
- Permits the use of a single reservoir on the trailer

Approximate Weight: 3 lbs.

Notes:

- 1) Repair Kit not available.

Service Part No.	Product Description	Supply Port	Delivery Ports	Reservoir Ports	Service Ports	Notes	OEM Part Number	Core Group
65437RX	Remanufactured Bendix SR-5 Trailer Spring Brake Valve w/ Anti-Compounding - CoreFree	1/4"	3/8" (4)	3/4"	1/4" (2)	-	-	-
65437X	Remanufactured Bendix SR-5 Trailer Spring Brake Valve w/Anti-Compounding	1/4"	3/8" (4)	3/4"	1/4" (2)	-	-	117SR4
65439RX	Remanufactured Bendix SR-5 Trailer Spring Brake Valve w/ Anti-Compounding - CoreFree	1/4"	3/8" (4)	1/2"	1/4" (2)	-	-	-
65439X	Remanufactured Bendix SR-5 Trailer Spring Brake Valve w/Anti-Compounding	1/4"	3/8" (4)	1/2"	1/4" (2)	-	-	117SR4

Competitive (New and Remanufactured) Sealco Spring Brake Control Valve



110500X

110700X

Features:

- Designed for use with a single reservoir on a typical single or tandem axle trailer

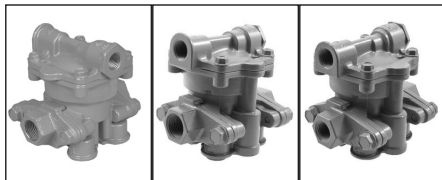
Approximate Weight: 110500RX/X 4 lbs.
110700RX/X 2 lbs.

Notes:

- 1) Repair Kit Not Available.

Service Part No.	Product Description	Valve Priority	Supply Port	Control Port	Reservoir Port	Delivery Ports	OEM Part Number	Core Group
110500RX	Remanufactured Sealco Spring Brake Control Valve - CoreFree	Spring Brake	3/8"	3/8"	1/2"	3/8" (4)	-	-
110500X	Remanufactured Sealco Spring Brake Control Valve	Spring Brake	3/8"	3/8"	1/2"	3/8" (4)	-	210
110700RX	Remanufactured Sealco Spring Brake Control Valve - CoreFree	Service Brake	3/8"	3/8"	1/2"	3/8" (4)	-	-
110700X	Remanufactured Sealco Spring Brake Control Valve	Service Brake	3/8"	3/8"	1/2"	3/8" (4)	-	210

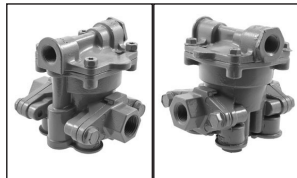
Competitive (New and Remanufactured) Sealco Ratio Relay



110170X

110171X

110191X



110310X

110315X

Features:

- Meets FMVSS-121 requirements
- Used on trailers to control both parking and emergency brake functions

Approximate Weight: See Chart

Notes:

- 1) 11017X - protected reservoir 90° cover plate orientation.
- 2) Repair Kit not available.

Service Part No.	Product Description	Supply	Delivery	Reservoir A	Reservoir B	Control	Approximate Weight	OEM Part Number	Core Group
110170RX	Remanufactured Sealco Ratio Relay Valve - Core Free	3/8"	3/8" (4)	1/2"	1/2"	3/8"	3.1 lbs.	-	-
110170X	Remanufactured Sealco Ratio Relay Valve	3/8"	3/8" (4)	1/2"	1/2"	3/8"	3.1 lbs.	-	210
110171X	Remanufactured Sealco Ratio Relay Valve	3/8"	3/8" (4)	1/2"	3/8"	3/8"	3.9 lbs.	-	210
110191X	Remanufactured Sealco Ratio Relay Valve	3/8"	3/8" (4)	3/8"	1/2"	3/8"	3.6 lbs.	-	210
110310X	Remanufactured Sealco Ratio Relay Valve	3/8"	3/8" (4)	3/8"	1/2"	3/8"	3.7 lbs.	-	210
110315X	Remanufactured Sealco Ratio Relay Valve	3/8"	3/8" (4)	1/2"	3/8"	3/8"	4.0 lbs.	-	210

**Competitive (New and Remanufactured)
Sealco Ratio Relay with Anti-Compounding Valve**



Features:

- Meets FMVSS-121 requirements
- Used on trailers to control both parking and emergency brake functions

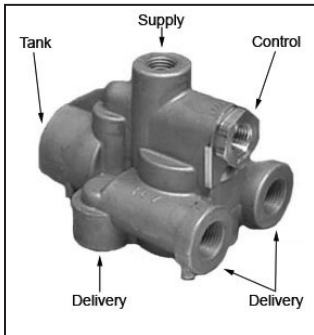
Approximate Weight: 110147X 4.9 lbs.
110148X 5.0 lbs.

Notes:

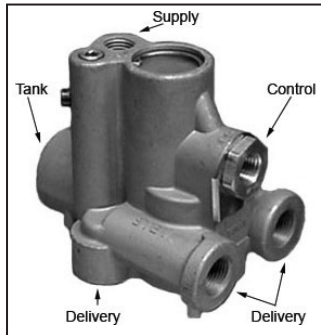
- 1) Repair Kit Not Available.

Service Part No.	Product Description	Supply Port	Delivery Port	Reservoir Port	Service Reservoir	Notes	OEM Part Number	Core Group
110147X	Remanufactured Sealco Ratio Relay with Anti-Compounding Valve	3/8" (2)	3/8" (4)	3/4"	3/8" (2)	With Nipple	-	210
110148X	Remanufactured Sealco Ratio Relay with Anti-Compounding Valve	3/8" (2)	3/8" (4)	3/4"	3/8" (2)	-	-	210

**Competitive (New and Remanufactured)
TRAMEC Trailer Emergency Valve**



51301RX



51321RX

Features:

- Prevent spring brake drag
- Use a single air tank allowing for elimination of the protected reservoir
- Small size is gentle on tanks
- Easy installation and conversion from old systems
- Fully compatible with Anti-lock Braking Systems (ABS) systems

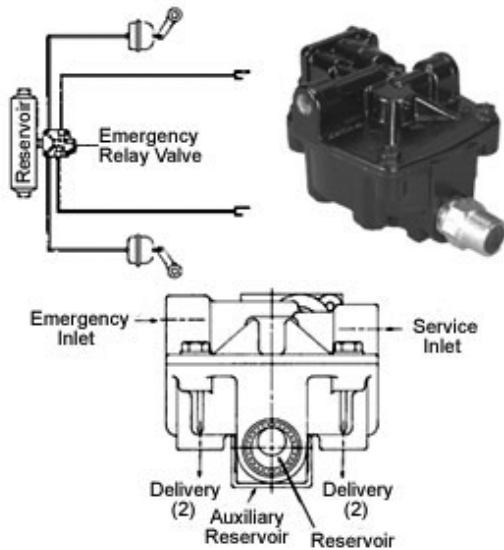
Approximate Weight: 1.5 lbs.

Notes:

- 1) 51301RX and 51321RX provide trailer spring brake control and gladhand pressure protection as required by DOT 121.
- 2) Repair Kit not available.

Service Part No.	Product Description	Reservoir	Delivery	Control	Supply	Notes	OEM Part Number	Core Group
51301RX	Remanufactured TRAMEC Trailer Emergency Valve (TEV) - CoreFree	3/4 NPT	3/8 NPT	1/4 NPT	1/4 NPT	Spring Brake Priority	-	-
51321RX	Remanufactured TRAMEC Sensing Trailer Emergency Valve (STEV) - CoreFree	3/4 NPT	3/8 NPT	1/4 NPT	1/4 NPT	Service Brake Priority	-	-

Haldex (New and Remanufactured) Emergency Relay Valve (4-Port)



Features:

- Suitable for Pre-FMVSS-121 trailers, converter dollies or exempt trailers
- KN30100 has automatic bleed down feature

Approximate Weight: 3 lbs.

Notes:

- 1) KN30100 and KN30100X have 3/8"-18 auxiliary reservoir port on bottom of valve drilled and tapped for use in air hydraulic systems. **Do not use them to control spring brakes.**
- 2) Repair Kit use Part Number RN10HL.

Service Part No.	Product Description	Service Inlet	Emergency Inlet	Delivery	Auxiliary Reservoir	Reservoir	Crack Pressure	Notes	OEM Part Number	Core Group
KN30100	New Haldex Emergency Relay Valve	1/4"	1/4"	1/4" (4)	Plugged	3/4"	3.0 PSI	Automatic bleed down feature; Do not use to control spring brakes	N4301A	-
KN30100X	Remanufactured Haldex Emergency Relay Valve	1/4"	1/4"	1/4" (4)	Plugged	3/4"	4.5 ± 1 PSI	Do not use to control spring brakes	N4301A	225
KN30200	New Haldex Emergency Relay Valve	3/8"	3/8"	3/8" (4)	1/2"	Plugged	3.0 PSI	Non-charging	N4301BA	-
KN30200X	Remanufactured Haldex Emergency Relay Valve	3/8"	3/8"	3/8" (4)	1/2"	Plugged	4.5 ± 1 PSI	Non-charging	N4301BA	225
KN30300	New Haldex Emergency Relay Valve	1/4"	1/4"	1/4" (4)	Plugged	3/4" W/Nipple	3.0 PSI	Charging	N4301AA	-
KN30300RX	Remanufactured Haldex Emergency Relay Valve - CoreFree	1/4"	1/4"	1/4" (4)	Plugged	3/4" W/Nipple	4.5 ± 1 PSI	Charging	N4301AA	-
KN30300X	Remanufactured Haldex Emergency Relay Valve	1/4"	1/4"	1/4" (4)	Plugged	3/4" W/Nipple	4.5 ± 1 PSI	Charging	N4301AA	225
KN30400	New Haldex Emergency Relay Valve	1/4"	1/4"	3/8" (4)	Plugged	3/4" W/Nipple Female	3.0 PSI	Charging	N4301CB	-
KN30400RX	Remanufactured Haldex Emergency Relay Valve - CoreFree	1/4"	1/4"	3/8" (4)	Plugged	3/4" W/Nipple Female	4.5 ± 1 PSI	Charging	N4301CB	-
KN30400X	Remanufactured Haldex Emergency Relay Valve	1/4"	1/4"	3/8" (4)	Plugged	3/4" W/Nipple Female	4.5 ± 1 PSI	Charging	N4301CB	225

Competitive (New and Remanufactured) Bendix® R-7 Modulating



Features:

- Will modulate the spring brakes through application of the foot valve if rear axle service brake pressure is lost
- 2-Port delivery

Approximate Weight: 2.8 lbs.

Notes:

- 1) Repair Kit use Part Number 283861K.

Service Part No.	Product Description	Supply	Delivery	Control	Balance	Release Pressure	Notes	OEM Part Number	Core Group
103081RX	Remanufactured Bendix R-7 Modulating Relay Valve - CoreFree	3/8"	3/8" (2)	1/4"	1/4"	95 PSI	-	-	-
103081X	Remanufactured Bendix R-7 Modulating Relay Valve	3/8"	3/8" (2)	1/4"	1/4"	95 PSI	-	-	117SR4
283932RX	Remanufactured Bendix R-7 Modulating Relay Valve - CoreFree	3/8"	3/8" (2)	1/4"	1/4"	85 PSI	-	-	-
283932X	Remanufactured Bendix R-7 Modulating Relay Valve	3/8"	3/8" (2)	1/4"	1/4"	85 PSI	-	-	117SR4

Competitive (New and Remanufactured) Bendix® RE-6



Features:

- Dual function valve used on trailers
- Used on pre-FMVSS-121 vehicles and off-road applications
- 4-Port delivery
- 284280X Initial emergency high pressure application

Approximate Weight: See Chart

Notes:

- 1) Repair Kit use Part Number 282812K.

Service Part No.	Product Description	Supply	Delivery	Service	Emergency	Initial Emerg. App. Pressure	Maximum Emerg. App. Pressure	Approximate Weight	OEM Part Number	Core Group
101197RX	Remanufactured Bendix RE-6 Emergency Relay Valve - CoreFree	3/8" (1) 3/4" (1)	3/8" (4)	1/4"	1/4"	65 ± 5 PSI	110 PSI	2.7 lbs.	-	-
101197X	Remanufactured Bendix RE-6 Emergency Relay Valve	3/8" (1) 3/4" (1)	3/8" (4)	1/4"	1/4"	65 ± 5 PSI	110 PSI	2.7 lbs.	-	129RE6
281865RX	Remanufactured Bendix RE-6 Emergency Relay Valve - CoreFree	3/8" (1) 3/4" (1)	1/4" (2) 3/8" (2)	1/4"	1/4"	50 ± 5 PSI	95 PSI	3.3 lbs.	-	-
281865X	Remanufactured Bendix RE-6 Emergency Relay Valve	3/8" (1) 3/4" (1)	1/4" (2) 3/8" (2)	1/4"	1/4"	50 ± 5 PSI	95 PSI	3.3 lbs.	-	129RE6
284280X	Remanufactured Bendix RE-6 Emergency Relay Valve	3/8" (1) 3/4" (1)	1/4" (2) 3/8" (2)	1/4"	1/4"	65 ± 5 PSI	110 PSI	3.5 lbs.	-	129RE6

Competitive (New and Remanufactured) Sealco Emergency Relay Valve



Features:

- Used on converter dollies and pre-1975 trailers
- 4-Port delivery

Approximate Weight: 6 lbs.

Notes:

- 1) Repair Kit not available.

Service Part No.	Product Description	Supply	Reservoir	Delivery	Control	Notes	OEM Part Number	Core Group
A1000SX	Remanufactured Sealco Emergency Relay Valve	1/4"	1/2"	1/4"	1/4"	Crack Pressure 1.5 PSI	-	210

Competitive (New and Remanufactured) Sealco Emergency Relay Valve Cartridge



Features:

- Used on converter dollies and pre-1975 trailers
- 4-Port delivery

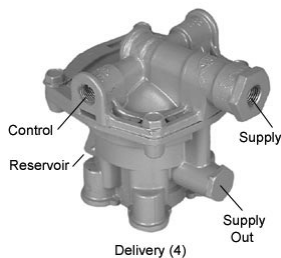
Approximate Weight: .8 lbs.

Notes:

- 1) Repair Kit not available.

Service Part No.	Product Description	Supply	Reservoir	Delivery	Control	Notes	OEM Part Number	Core Group
10005ARX	Remanufactured Sealco Cartridge for A1000SX - CoreFree	-	-	-	-	Crack Pressure 1.5 PSI	-	-
10005AX	Remanufactured Sealco Cartridge for A1000SX	-	-	-	-	Crack Pressure 1.5 PSI	-	209

Competitive (New and Remanufactured) Sealco Ratio Valve



Features:

- 4-Port delivery

Approximate Weight: 5.5 lbs.

Crack Pressure: 4.5 PSI

Notes:

- 1) 110200X/110205X/110205RX - Can also use KN30400 or KN30400X for this application.
- 2) 110338X - Can also use KN30200 or KN30200X for this application.
- 3) Repair Kit not available.

Service Part No.	Product Description	Supply	Reservoir	Delivery	Control	Supply Out	Application	Notes	OEM Part No	Core Group
110200X	Remanufactured Sealco Ratio Emergency Relay Valve	1/4"	3/4"	3/8"	1/4"	-	Multi-Axle Trailers	Charging/Ratio	-	210
110205X	Remanufactured Sealco Ratio Emergency Relay Valve	3/8"	3/4"	3/8"	3/8"	-	Multi-Axle Trailers	Charging/Ratio	-	210
110205RX	Remanufactured Sealco Ratio Emergency Relay Valve - CoreFree	3/8"	3/4"	3/8"	3/8"	-	Multi-Axle Trailers	Charging/Ratio	-	-
110338X	Remanufactured Sealco Ratio Emergency Relay Valve	3/8"	3/4"	3/8"	3/8"	3/8"	Converter Dollies and Multi-Axle Trailers	Replaces 110267X Non-Charging/Non-Ratio	-	210
110470X	Remanufactured Sealco Ratio Emergency Relay Valve	3/8"	3/4"	3/8"	3/8"	-	Single and Multi-Axle Trailers	Charging/Non-Ratio	-	210

VALVES

Miscellaneous Valves

Competitive (New and Remanufactured) Fuller Style Air Valves



Service Number	Product Description	All Ports	MFG. No.	Notes	Approx. Weight	Pic. No.	Core Group
A3546X	Remanufactured Fuller Style Transmission Shift Valve	1/8" NPT	A3546	Includes Knob	.5 lbs.	2	331
A4688X	Remanufactured Fuller Style Range Selector Valve	1/8" NPT	A4688	-	3.2 lbs.	9	227
KN16743	New Fuller Style Transmission Air Regulator	1/8" NPT	16743	Non-Adjustable Preset at 57-65 PSI	.1 lbs.	1	-
KN3546	New Fuller Style Transmission Range Valve	1/8" NPT	A3546	Push-Pull Type; Includes Knob	.4 lbs.	2	-
KN4487	New Fuller Style Transmission Selector Valve	1/16" NPT	A4487	Chrome Plated Cover; 3-Position Selector; 9 Speed Transmission	.5 lbs.	6	-
KN4490	New Fuller Style Transmission Selector Valve	1/16" NPT	A4490	Chrome Plated Cover; 3-Position Selector; 13 Speed Transmission	.6 lbs.	7	-
KN4491	New Fuller Style Transmission Selector Valve	1/16" NPT	A4491	Chrome Plated Cover; 2-Position Selector; 9 Speed Transmission	.6 lbs.	8	-
KN4688	New Fuller Style Transmission Slave Valve	1/8" NPT	A4688	Includes Mounting Gasket	3.2 lbs.	9	-
KN4900	New Fuller Style Transmission Range Valve	1/16" NPT	A4900	Rubberized Shift Knob Cover (Includes Upper and Lower); 13 Speed Transmission	.7 lbs.	3	-
KN5010	New Fuller Style Transmission Range Valve	1/16" NPT	A5010	Rubberized Shift Knob Cover (Includes Upper and Lower); 7-8-9 Speed Transmission	.8 lbs.	4	-
KN5015	New Fuller Style Transmission Range Valve	1/16" NPT	A5015	Rubberized Shift Knob Cover (Includes Upper and Lower); 15 Speed Transmission	.8 lbs.	5	-

Competitive (New and Remanufactured) Cummins Fuel Solenoid Valves



Approximate Weight: 1 lb.

Notes:

- 1) Repair Kit Not Available.

Service Part No.	Product Description	Inlet	Outlet	Voltage	Notes	OEM Part Number	Core Group
6997312RX	Remanufactured Cummins Fuel Solenoid Valve - CoreFree	1/8"	1/8"	12 V	Outlet not threaded	-	-
6997312X	Remanufactured Cummins Fuel Solenoid Valve	1/8"	1/8"	12 V	Outlet not threaded	-	333
6997324X	Remanufactured Cummins Fuel Solenoid Valve	1/8"	1/8"	24 V	Outlet not threaded	-	333

Competitive (New and Remanufactured) Williams® 3-Way Regulating Valve



Features:

- Used as general purpose pushrod actuated regulator
- RM9001X not recommended for on-highway applic.

Approximate Weight: 2 lbs.

Notes:

- 1) Repair Kit not available.

Service Part No.	Product Description	Supply	Delivery	Exhaust	Notes	OEM Part Number	Core Group
RM9001X	Remanufactured Williams 3-Way Regulating Valve	1/4"-18 NPTF	1/4"-18 NPTF	1/4"-18 NPTF	Without Boot/Nut, Maximum Supply Pressure 200 PSI	-	WM406
RM90DX	Remanufactured Williams WM90 Series 3-Way Regulating Valve	1/4"-18 NPTF	1/4"-18 NPTF	1/4"-18 NPTF	Maximum Supply Pressure 60 PSI	-	WM406

Williams® Air Throttle Cylinder



Features:

- General purpose throttle cylinder
- Has levers with multiple holes for easy connection to a variety of throttle linkages

Approximate Weight: 1.65 lbs.

Notes:

- 1) Repair Kit not available.

Service Part No.	Product Description	Control	Lever Holes	Mounting Holes	Notes	OEM Part Number	Core Group
RM388X	Remanufactured Williams WM-388 Series Air Throttle Cylinder Valve	1/4"-18 NPTF	.25 Diameter (6)	.27 Diameter (2)	Pressure Range 0-30/35 PSI	-	WM415

In-Line Filters



Service Part No.	Product Description	Ports	Application	Notes	OEM Part Number	Core Group
KN31025	In-Line Filter for Pressure Protection Valve	1/4" Female 1/4" Male	90555396 90555397 90555398	-	N10083K	-

Drain Cocks



12110



12112



12116

Service Part No.	Product Description	Notes	OEM Part Number	Core Group
12110	Petcock Drain	1/4" NPT	10719	-
12112	Drain Cock - Screw Type	1/4" NPT	N-15841-C	-
12116	Drain Cock - Shutoff	1/2"-14 NPT, Working Pressure 150 PSI	N13553E	-

**Knobs for Push-Pull Valves
Pin Type**



12500



KN20900



KN20901



KN20902



KN20903

Features:

- Engineering Grade Composite (EGC)
- Pin included

Service Part No.	Product Description	Mounting Shaft	Notes	OEM Part Number	Core Group
12500	Knob for Pin Type Push-Pull Valve Trailer Air Supply	5/16"	Red	1180350	-
KN20900	Knob for Pin Type Push-Pull Valve Trailer Air Supply	3/8"	RCCC Red	N14514AA	-
KN20901	Knob for Pin Type Push-Pull Valve Parking Brake	3/8"	RCCC Yellow	N14514AB	-
KN20902	Knob for Pin Type Push-Pull Valve Tractor Parking	3/8"	RCCC Blue	N14514AC	-
KN20903	Knob for Pin Type Push-Pull Valve System Park	3/8"	RCCC Yellow	N14514AD	-

**Knobs for Push-Pull Valves
Bendix® Threaded Type**



298817



298818

Service Part No.	Product Description	Thread	Notes	OEM Part Number	Core Group
298817	Bendix Knob for Threaded Type Push-Pull Valves - Trailer Air Supply	5/8"	Dash Brake Valve, Red	-	-
298818	Bendix Knob for Threaded type Push-Pull Valves - Parking Brake	5/8"	Dash Brake Valve, Yellow	-	-

Knobs for Push-Pull Valves Threaded Type



12501



12509



12510



A25079



KN20904



KN20951



N14514

Service Part No.	Product Description	Thread	Notes	OEM Part Number	Core Group
12501	Knob for Threaded Type Push-Pull Valve - Trailer Emergency	1/4"-20	RCCC Red; Engineering Grade Composite (EGC)	1155715	-
12509	Knob for Threaded Type Push-Pull Valve - Parking Brake	1/4"-28	RCCC Yellow	1175013	-
12510	Knob for Threaded Type Push-Pull Valve - Trailer Emergency	1/4"-28	RCCC Red; Engineering Grade Composite (EGC)	1155726	-
A25079	Knob for Threaded Type Push-Pull Valve	1/4"-28	Plain Metal; Replaces Part Number KN20961	AD25079	-
KN20904	Knob for Threaded Type Push-Pull Valve - Parking Brake	1/4"-20	RCCC Yellow	N14514AT	-
KN20951	Knob for Threaded Type Push-Pull Valve - Engage Diff-Lock	1/4"-28	RCCC Black	102684A	-
N14514	Knob for Threaded Type Push-Pull Valve	1/4"-28	Plain Black Plastic	N14514	-

Faceplates for Valves



K145151



K1451510



K1451511



K1451517



K145157



K145158



N14515AB

Service Part No.	Product Description	Notes	OEM Part Number	Core Group
K145151	Faceplate for Flipper Valve - Interaxle Differential	-	N14515A	-
K1451510	Faceplate for Push-Pull Valve - Emergency and Parking Brake	-	N14515AG	-
K1451511	Faceplate for Flipper Valve - Cab Controlled Fifth Wheel	-	N14515L	-
K1451517	Faceplate for Push-Pull Valve - Push to Release/Pull to Set Brakes	-	N14515T	-
K145157	Faceplate for Flipper Valve - On/Off Plate	-	N14515G	-
K145158	Faceplate for Flipper Valve - Dry Road/Slippery Road	-	N14515H	-
N14515AB	Faceplate for Push-Pull Valve - Emergency Release of Spring Brakes	-	N14515AB	-

Repair Kits

Relay/Emergency Relay Valve

Service Part No.	Product Description	Application
102802K	Repair Kit - Bendix® R-12, R-12H, R-14, R-14H Relay Valve	R-12: 102165X, 102626X, 103912X, 65303X R-12H: 103009X, 65125X R-14: 103028X, 103833X, 65430X R-14H: 103010X, 103294X
103799K	Repair Kit - Bendix® R-8P Relay Valve	87114X
109265K	Repair Kit - Bendix® R-12P Pilot Relay Valve	109264X
229585K	Repair Kit - Bendix® RE-4 Emergency Relay Valve	229434X
280856K	Repair Kit - Bendix® R-6 Relay Valve	279180X, 279952X, 280375X, 280651X, 283940X
282812K	Repair Kit - Bendix® RE-6 Emergency Relay Valve	101197X, 281865X, 284280X
283861K	Repair Kit - Bendix® R-7 Modulating Emergency Relay Valve	103081X, 283932X
287370K	Repair Kit - Bendix® R-8 Relay Valve	286370X, 286371X, 287224X, 287260X
A75530	Plastic Cover for Four Port Emergency Relay Valve	KN30100, KN30100X, KN30200, KN30200X, KN30300, KN30300X, KN30400, KN30400X
RN10HB	Repair Kit - Relay Valve Four Port With Integral Bracket	KN28080, KN28080X, KN28132, KN28132X
RN10HK	Repair Kit - Relay Valve Four Port With Anti-Compounding	KN28041, KN28042, KN28043, KN28060, KN28060X, KN28061, KN28061X, KN28064, KN28065, KN28065X, KN28071, KN28071X, KN28077, KN28085, KN28085X, KN28086, KN28087, KN28088, KN28089, KN28131, KN28131X, KN28140, KN28140X, KN32080
RN10HL	Repair Kit - Four Port Emergency Relay Valve	KN30100, KN30100X, KN30300, KN30300X, KN30400, KN30400X, KN30200, KN30200X
RN10HM	Repair Kit - RG2 Two Port Trailer Relay Valve	KN28500, KN28500X, KN28510, KN28510X, KN28514, KN28514X, KN28520, KN28520X, KN28531, KN28531X
RN10HP	Repair Kit - Four Port Vertical Ports Relay Valve	A103600, A103600X, A86472, A86473, A86473X, A86477, A86477X
RN10HT	Repair Kit - Relay Valve Two Port Fast Air and Balancing	KN28300, KN28300X
RN10JZ	Repair Kit - Two Port with Anti-Compounding Dual Crack Pressure Valve	KN28054, KN28055

Repair Kits Hand Control Valve

Service Part No.	Product Description	Application
101805K	Repair Kit - Bendix® TW-1	229635X
102008GM	Retro-Fit Bracket Hand Control Trailer Brake In-Column Mount	KN20541, KN20542, KN20547
102462D	Replacement Lever - Panel Mount Valve	KN20581
107216K	Maintenance Kit - Bendix® MV-3 Valve (Manifold)	65157X, 65159X, 65187X, 65192X
107217K	Shuttle Kit - Bendix® MV-3 Valve (Manifold)	65157X, 65159X, 65187X, 65192X
280857K	Repair Kit - Bendix® PP-3	279787X, 288746X, 289477X, 289512X
281126K	Repair Kit - Bendix® PP-1	104240X, 276566X, 276567X, 276569X, 281587X, 282499X, 287417X, 287600X, 287637X
281127K	Repair Kit - Bendix® PP-2	276462X, 280454X
287367K	Repair Kit - Bendix® PP-7 Trailer Supply	288239X, 288240X, 288241X, 288242X, 288721X
K200800	Handle Only - Double Flipper Style	KN20080
K200900	Handle Only - Double Flipper Style	KN20090, N15791H, N15791V
K201100	Handle Only - Double Flipper Style	KN20110, N15791T
KN20543	Handle - Hand Control Trailer Brake In-Column Mount	KN20541, KN20542
KQ205450	Handle - Hand Control Trailer Brake In-Column Mount	KN20545, KN20547
N15285M	Knob - Panel Mount Trailer Brake 3/8"-24 Thread Knob	KN20580, KN20590
RN10GJ	Repair Kit - Trailer Control Valve	KN20561, KN20561X, KN20562, KN20562X
RN31A	Repair Kit - Hostler Push-Pull Style	KN20010, KN20011, KN20015, KN20020
RN31BF	Repair Kit - Manifold Dash Valve	KN20601, KN20602, KN20603, KN20605, KN20606, KN20607, KN20608, KN20611, KN20612, KN20615, KN20616, KN20619, KN20620, KN20621, KN20622, KN20623, KN20624, KN20625, KN20626, KN20627, KN20628, KN20629, KN20632, KN20636
RN31BM	Trailer Spool Kit with Knob - Manifold Dash Valve	KN20601, KN20602, KN20603, KN20605, KN20606, KN20607, KN20608, KN20611, KN20612, KN20615, KN20616, KN20619, KN20620, KN20621, KN20622, KN20623, KN20624, KN20625, KN20626, KN20627, KN20628, KN20629, KN20632, KN20636
RN31BP	Tractor Spool Kit with Knob - Manifold Dash Valve	KN20601, KN20602, KN20603, KN20605, KN20606, KN20607, KN20608, KN20611, KN20612, KN20615, KN20616, KN20619, KN20620, KN20621, KN20622, KN20623, KN20624, KN20625, KN20626, KN20627, KN20628, KN20629, KN20632, KN20636
RN34F	Repair Kit - Double Flipper Style	KN20110
RN34H	Repair Kit - Double Flipper Style	KN20080, KN20090, N15791H, N15791T, N15791V

Repair Kits Tractor Protection Valves

Service Part No.	Product Description	Application
229418K	Repair Kit - Bendix® TP-2 Tractor Protection Valve	TP-2: 227661X, 227672X, 283090X
280858K	Repair Kit - Bendix® TP-3 Tractor Protection Valve	TP-3: 279000X, 279692X
283863K	Repair Kit - Bendix® TP-4 Tractor Protection Valve	TP-4: 288301X
289061K	Repair Kit - Bendix® TP-5 Tractor Protection Valve	TP-5: 288605X, 106941X
RN31BC	Repair Kit - Two-Line Manifold Style Tractor Protection Valve	KN34080X, KN34090X, KN34100X, KN34101, KN34102, KN34103, KN34104, KN34110, KN34110X, KN34111, KN34121, KN34122, KN34130

Repair Kits Automatic Drain Valves

Service Part No.	Product Description	Application	OEM Part No.
10027	5' Cable Kit - Manual and Automatic Drain Valve	KN21004, KN21008, KN24000, KN24000X, KN24001, KN24001X, KN24002, KN24003, KN24005	SN153
282134K	Repair Kit - Bendix® DV-2 Automatic Drain Valve	281932X, 284795X	-
KN24100	Filter Assembly - Automatic Drain Valve	KN24000, KN24000X, KN24001, KN24001X, KN24004, KN24003, KN24005	1118260
RN10HH	Repair Kit - Automatic Drain Valve	KN24000, KN24000X, KN24001, KN24001X, KN24004, KN24003, KN24005	-

Repair Kits Miscellaneous Valves

Service Part No.	Product Description	Application
102048K	Repair Kit - Bendix® SR-4 Trailer Spring Brake Valve	01112X, 101622X, 107539X
20837K	Repair Kit - Foot Valve	N20837
276119K	Minor Kit - Bendix® E-2/E-3 Foot Valve	229501X, 277863X, 278998X
282098K	Repair Kit - Bendix® LQ-2 Limiting Quick Release Valve	229505X, 229507X, 229509X
287072K	Repair Kit - Bendix® SR-1 Tractor Spring Brake Valve	286364X
287368K	Repair Kit - Bendix® E-6 Dual Circuit Foot Valve	286171X
287691K	Repair Kit - Bendix® SR-2 Trailer Spring Brake Valve	102761X, 103061X, 287376X
289352K	Repair Kit - Bendix® E-7 Dual Circuit Foot Valve	101818X, 284760X, 286773X, 286774X, 286775X, 287411X, 287564X, 288383X
289500K	Repair Kit - Bendix® LQ-4 Ratio Valve	101311X, 289144X, 289148X
42100200	Filter Kit Premium PPV	90554107, 90554151
8946011322K	Converter Cable WABCO ABS Valves Screw-In to Bayonet	4725001000X, 4725001010X, 4725001020X, 4725001030X, 4725111200X, 4725001210X, 4725001220X, 4725001230X, 4725001240X, 4725001250X, 4725002030X, 4725002220X, 4725002230X, 4725002240X, 4725002250X, 4725003000X, 4725003010X, 4725003020X, 4725003200X, 4725003210, 4725003220X
8946011332K	Converter Cable WABCO ABS Valves Bayonet to Screw-In	4725001000X, 4725001010X, 4725001020X, 4725001030X, 4725111200X, 4725001210X, 4725001220X, 4725001230X, 4725001240X, 4725001250X, 4725002030X, 4725002220X, 4725002230X, 4725002240X, 4725002250X, 4725003000X, 4725003010X, 4725003020X, 4725003200X, 4725003210, 4725003220X
RN10BX	Repair Kit - Single Circuit Foot Valve	KN22100, KN22100X
RN10CH	Repair Kit - One-Way Check Valve	KN23000, KN23010
RN10EV	Repair Kit - Inversion Valve	KN28030, KN28030X, KN28034
RN10HT	Repair Kit - Fast Air Balance Valve	KN28300
RN10HW	Repair Kit - Pressure Protection Valve with One-Way Check	KN31171
RN10HY	Repair Kit - Pressure Protection Valve with One-Way Check	KN31170
RN10HZ	Repair Kit - One-Way Check Valve	KN23060
RN10JM	Repair Kit - RT4 Multifunction Trailer Valve	KN26000X, KN26010X, KN26020X
RN10JP	Repair Kit - Dual Circuit Foot Control Valve	KN22150, KN22150X, KN22154
RN10JT	Repair Kit - Inversion Valve	KN28032, KN28033
RN10Y	Repair Kit - One-Way Check Valve	KN23040, KN23080
RN11V	Repair Kit - Diaphragm Type Two-Way Check Valve	KN25060
RN11W	Repair Kit - Shuttle Type Two-Way Check Valve	KN25061, KN25080, KN25090, KN25100, KN25110, KN25120
RN17Y	Repair Kit - Adjustable Air Regulating Valve (Auxiliary Systems)	KN31040, KN31050, KN31060
RN19AF	Repair Kit - Quick Release with Two-Way Check Valve	KN32040, KN32041, KN32042, KN32043

VALVES

Mounting Configurations

Manifold Dash Valves

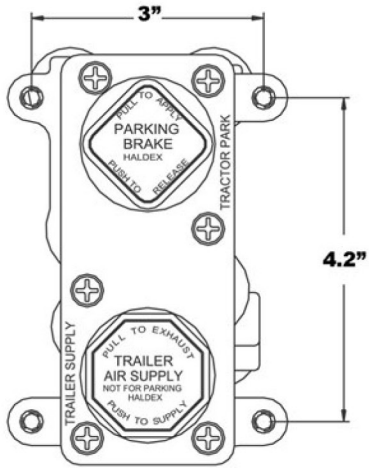


Figure 1: KN20616

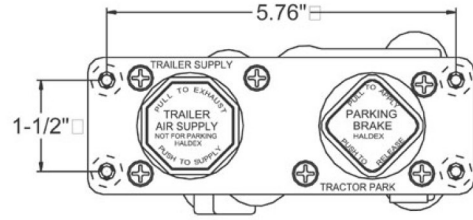


Figure 2: KN20601, KN20602, KN20621

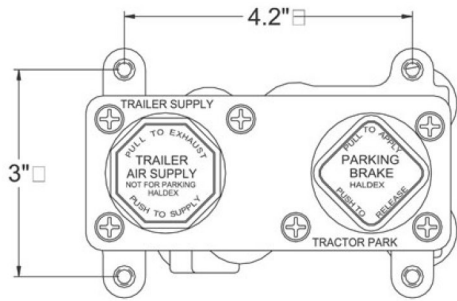


Figure 3: KN20603, KN20606, KN20611, KN20611, KN20612, KN20615

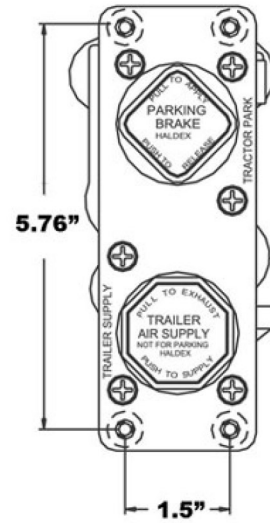
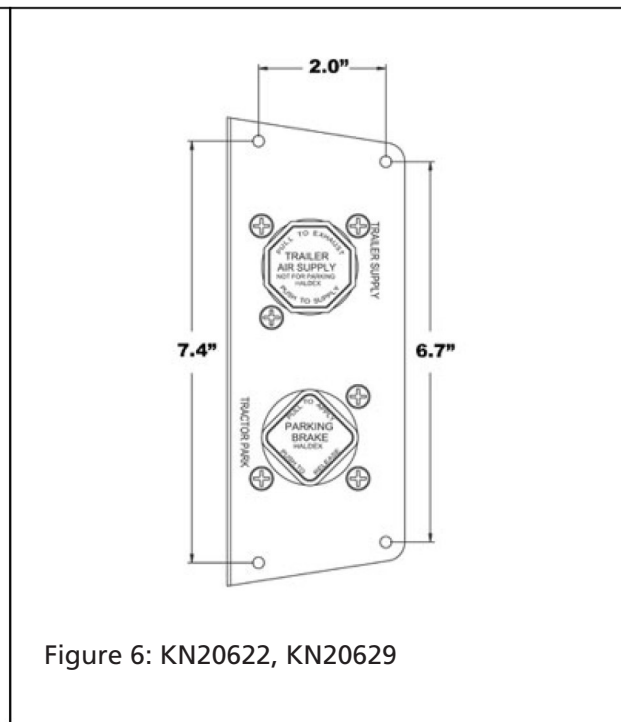
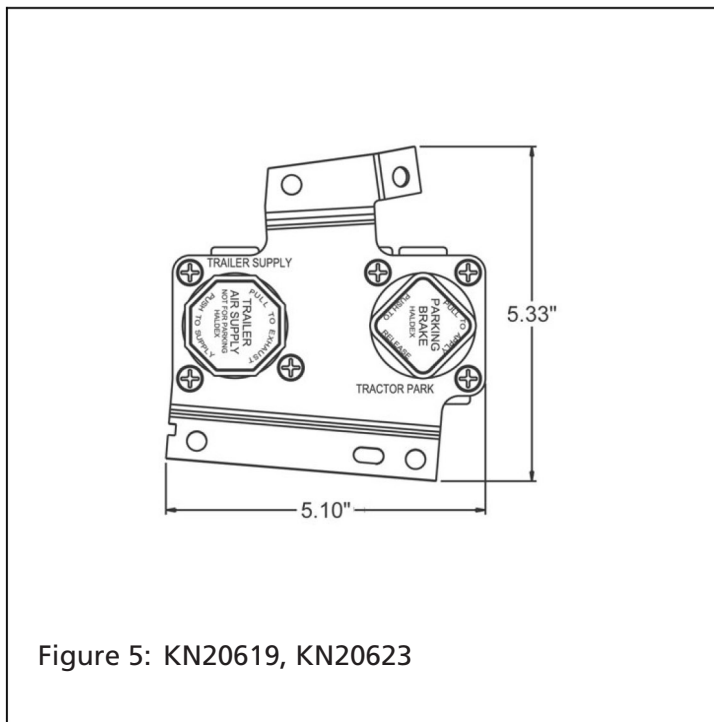
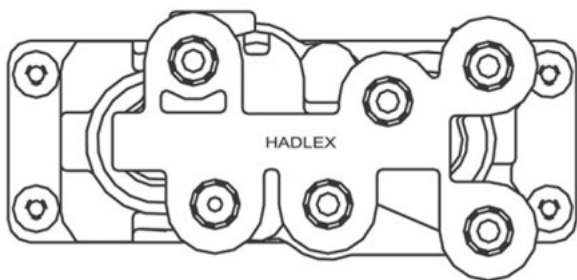


Figure 4: KN20605, KN20607

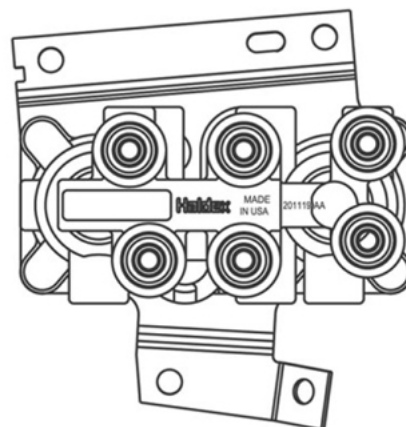
Manifold Dash Valves



Body Styles



Style A (Typical)



Style B (Typical)

inside back cover



Haldex develops and provides reliable and innovative solutions with focus on brake and air suspension products to the global commercial vehicle industry.

Listed on the Stockholm Stock Exchange, Haldex has annual sales of approximately 3.9 billion SEK and employs about 2,200 people.

To learn more, contact your Haldex sales professional.

United States 816-891-2470
Canada 519-621-6722
Mexico 52-81-81569500

For additional contact information
or to learn more about Haldex,
please visit Haldex.com

L00134
US Rev. 3/20 WEB ONLY