

# 2010 Catalog

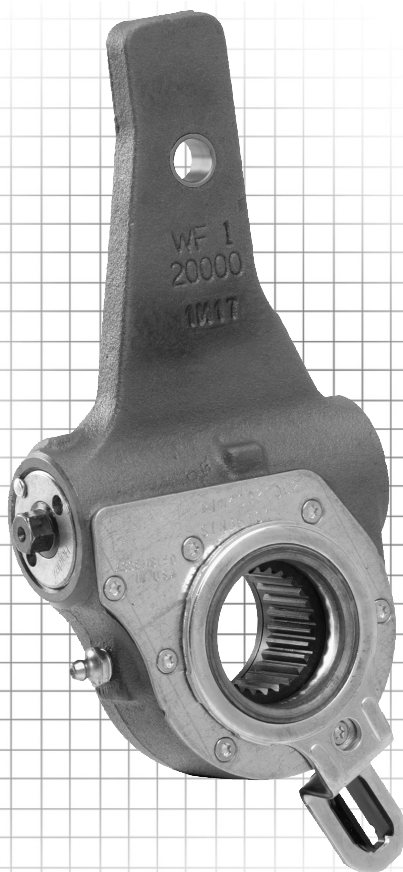
L00143

4/10

**Haldex**



## Automatic Brake Adjusters



[www.haldex.com](http://www.haldex.com)

This page left blank intentionally.

---

**01 – ABA**

<b>Table of Contents</b>	01-1
<b>Part Number Index</b>	01-3
<b>General Information</b>	
Foreword	01-6
Haldex ABA & S-ABA Features	01-7
Haldex ABA Identification	01-8
400 Series Reference Chart	01-9
Bracket Kits Reference Chart	01-10
<b>Haldex Automatic Brake Adjusters</b>	
Steer Axle Applications	
Standard Applications	01-11
Mack 16,000 lb. and Greater Applications	01-12
Non-Standard Steer Axle Applications	01-13
Drive Axle Applications	
Standard Applications	01-14
Meritor Air Disc Brake Applications	01-15
Mack Truck Applications	01-16
Kenworth with 8 Bag Air Ride	01-17
Trailer Axle Applications	
12-1/4" Brake Assemblies	01-18
16-1/2" Brake Assemblies	01-19
Service Parts	01-20
Bracket Kits	01-21
<b>Haldex Self-Setting Automatic Brake Adjuster</b>	
S-ABA Brake Adjusters	01-23
<b>Manual Brake Adjusters</b>	
Straight Arm – Manual Brake Adjusters	01-24
Offset Arm – Manual Brake Adjusters	01-25
Heavy Duty Straight Arm – Manual Brake Adjusters	01-26
<b>CSI and CSII Automatic Brake Adjusters</b>	
CSI Automatic Brake Adjusters	
CSI – Trailer Application	01-27
CSI Truck/Tractor Applications	01-28
Clevis Kits – Threaded	01-29
Clevis Kits – Collar Lock	01-30
Service Components for CSI	01-31
CSII Automatic Brake Adjusters	
CSII Standard Applications	01-32

CSII Auto-Check™ Standard Applications	01-33
CSII – 12-1/4" Brake – Low Boy Application	01-34
CSII Auto-Check™ Long Stroke Trailer Applications	01-35
CSII – 30,000 lb. Severe Service Applications	01-36
CSII Clevis Kits	01-37

# Part Number Index

01-ABA

Part Number	Type	Page #	Part Number	Type	Page #	Part Number	Type	Page #	Part Number	Type	Page #
40010001	S	01-11	40020232	S	01-23	409-10265	O	01-13	409-10601	O	01-13
40010002	S	01-11	40020233	S	01-14	409-10266	O	01-13	409-10601	O	01-13
40010003	S	01-11	40020234	S	01-14	409-10269	O	01-13	409-10602	O	01-13
40010004	S	01-11	40020235	S	01-11	409-10285	O	01-13	409-10602	O	01-13
40010005	S	01-11	40020236	S	01-11	409-10294	O	01-17	409-10613	O	01-13
40010006	S	01-13	40020238	S	01-17	409-10297	O	01-18	409-10615	O	01-14
40010007	S	01-13	40020241	S	01-11	409-10298	O	01-13	409-10626	O	01-14
40010008	S	01-11	40020243	S	01-16	409-10299	O	01-13	409-10627	O	01-14
40010009	S	01-12	40020244	S	01-16	409-10304	O	01-12	409-10628	O	01-14
40010010	S	01-12	40020304	S	01-23	409-10305	O	01-12	409-10635	O	01-17
40010013	S	01-13	40020305	S	01-23	409-10309	O	01-15	409-10637	O	01-11
40010040	S	01-11	40020306	S	01-23	409-10310	O	01-13	409-10648	O	01-17
40010041	S	01-11	406-10258	O	01-11	409-10311	O	01-13	409-10649	O	01-14
40010048	S	01-13	409-10011	O	01-16	409-10314	O	01-14	409-10649	O	01-14
40010049	S	01-13	409-10051	O	01-16	409-10316	O	01-14	409-10650	O	01-14
40010054	S	01-13	409-10070	O	01-16	409-10318	O	01-18	409-10653	O	01-14
40010055	S	01-13	409-10075	O	01-19	409-10319	O	01-11	409-10654	O	01-18
40010056	S	01-13	409-10085	O	01-17	409-10325	O	01-11	409-10655	O	01-18
40010057	S	01-13	409-10086	O	01-19	409-10326	O	01-11	409-10655	O	01-18
40010067	S	01-16	409-10091	O	01-16	409-10334	O	01-11	409-10655	O	01-19
40010070	S	01-11	409-10093	O	01-14	409-10335	O	01-11	409-10656	O	01-18
40010071	S	01-11	409-10094	O	01-12	409-10343	O	01-14	409-10657	O	01-18
40010072	S	01-11	409-10094	O	01-17	409-10351	O	01-19	409-10658	O	01-11
40010073	S	01-11	409-10101	O	01-17	409-10352	O	01-19	409-10659	O	01-11
40010081	S	01-13	409-10102	O	01-14	409-10364	O	01-11	409-10659	O	01-11
40010140	S	01-14	409-10106	O	01-11	409-10370	O	01-17	409-10660	O	01-11
40010141	S	01-14	409-10108	O	01-11	409-10375	O	01-19	409-10661	O	01-11
40010142	S	01-14	409-10110	O	01-18	409-10375	O	01-19	409-10661	O	01-11
40010143	S	01-14	409-10111	O	01-18	409-10376	O	01-19	409-10662	O	01-11
40010144	S	01-16	409-10111	O	01-18	409-10376	O	01-19	409-10662	O	01-11
40010145	S	01-16	409-10112	O	01-13	409-10383	O	01-18	409-10662	O	01-17
40010146	S	01-16	409-10113	O	01-13	409-10387	O	01-14	409-10663	O	01-17
40010155	S	01-17	409-10114	O	01-11	409-10390	O	01-14	409-10663	O	01-11
40010156	S	01-17	409-10115	O	01-11	409-10391	O	01-11	409-10663	O	01-11
40010180	S	01-14	409-10124	O	01-16	409-10392	O	01-19	409-10664	O	01-11
40010183	S	01-14	409-10125	O	01-14	409-10405	O	01-14	409-10665	O	01-11
40010206	S	01-19	409-10126	O	01-14	409-10408	O	01-14	409-10665	O	01-11
40010207	S	01-19	409-10128	O	01-11	409-10409	O	01-19	409-10665	O	01-14
40010208	S	01-19	409-10130	O	01-14	409-10416	O	01-17	409-10665	O	01-19
40010211	S	01-19	409-10134	O	01-14	409-10417	O	01-17	409-10673	O	01-19
40010212	S	01-19	409-10135	O	01-14	409-10428	O	01-14	409-10674	O	01-19
40010213	S	01-19	409-10146	O	01-16	409-10429	O	01-14	409-10674	O	01-19
40010214	S	01-19	409-10147	O	01-13	409-10444	O	01-16	409-10675	O	01-19
40010215	S	01-19	409-10148	O	01-13	409-10471	O	01-19	409-10678	O	01-16
40010216	S	01-19	409-10149	O	01-14	409-10472	O	01-19	409-10679	O	01-16
40010222	S	01-19	409-10150	O	01-14	409-10473	O	01-19	409-10680	O	01-16
40010223	S	01-19	409-10151	O	01-18	409-10474	O	01-19	409-10680	O	01-14
40010224	S	01-19	409-10163	O	01-13	409-10475	O	01-19	409-10682	O	01-16
40010225	S	01-19	409-10165	O	01-12	409-10476	O	01-19	409-10683	O	01-19
40010227	S	01-19	409-10166	O	01-11	409-10491	O	01-18	409-10684	O	01-19
40010302	S	01-18	409-10168	O	01-11	409-10492	O	01-18	409-10685	O	01-19
40010304	S	01-18	409-10172	O	01-13	409-10495	O	01-11	409-10687	O	01-19
40010305	S	01-18	409-10173	O	01-13	409-10496	O	01-11	409-10690	O	01-16
40010306	S	01-18	409-10175	O	01-13	409-10497	O	01-11	409-10731	O	01-14
40010307	S	01-18	409-10184	O	01-12	409-10498	O	01-11	409-10732	O	01-14
40010402	S	01-15	409-10215	O	01-17	409-10499	O	01-11	409-10733	O	01-14
40010403	S	01-13	409-10218	O	01-19	409-10512	O	01-14	409-10741	O	01-14
40010404	S	01-13	409-10222	O	01-14	409-10521	O	01-13	409-10741	O	01-14
40010501	S	01-13	409-10223	O	01-14	409-10522	O	01-13	409-10742	O	01-14
40010502	S	01-13	409-10224	O	01-11	409-10528	O	01-19	409-10759	O	01-11
40020211	S	01-19	409-10225	O	01-14	409-10530	O	01-14	409-10760	O	01-11
40020212	S	01-19	409-10226	O	01-14	409-10532	O	01-14	409-10761	O	01-11
40020213	S	01-19	409-10228	O	01-13	409-10532	O	01-17	409-10762	O	01-11
40020214	S	01-19	409-10228	O	01-11	409-10533	O	01-14	409-10787	O	01-17
40020215	S	01-19	409-10229	O	01-14	409-10535	O	01-11	409-10788	O	01-13
40020216	S	01-19	409-10230	O	01-19	409-10536	O	01-11	409-10797	O	01-14
40020217	S	01-23	409-10231	O	01-19	409-10548	O	01-14	409-10813	O	01-14
40020218	S	01-23	409-10232	O	01-19	409-10551	O	01-14	409-10814	O	01-14
40020219	S	01-23	409-10234	O	01-19	409-10553	O	01-14	409-10817	O	01-11
40020220	S	01-23	409-10236	O	01-19	409-10561	O	01-14	409-10858	O	01-14
40020221	S	01-23	409-10237	O	01-19	409-10564	O	01-14	409-10860	O	01-14
40020222	S	01-23	409-10238	O	01-14	409-10565	O	01-14	409-10861	O	01-14
40020223	S	01-23	409-10239	O	01-14	409-10565	O	01-17	409-10861	O	01-14
40020224	S	01-23	409-10240	O	01-14	409-10566	O	01-14	409-10862	O	01-14
40020225	S	01-23	409-10241	O	01-14	409-10579	O	01-16	409-10867	O	01-19
40020226	S	01-23	409-10247	O	01-19	409-10580	O	01-16	409-10896	O	01-14
40020227	S	01-23	409-10255	O	01-13	409-10581	O	01-16	409-10979	O	01-19
40020228	S	01-14	409-10257	O	01-11	409-10584	O	01-15	409-20000	O	01-19
40020229	S	01-11	409-10258	O	01-11	409-10590	O	01-16	409-20001	O	01-23
40020230	S	01-23	409-10263	O	01-13	409-10599	O	01-12	409-20002	O	01-19
40020231	S	01-14	409-10264	O	01-13	409-10600	O	01-12	409-20002	O	01-19

Type "O" = OEM P/N, Type "S" = Service P/N

If OEM part # is not found on page listed, refer to the MCR for applicable cross reference.

Part Number	Type	Page #	Part Number	Type	Page #	Part Number	Type	Page #	Part Number	Type	Page #
409-20003	O	01-23	42710558	S	01-20	CS52331	S	01-32	KN53040	S	01-25
409-20004	O	01-19	42710562	S	01-21	CS52332	S	01-32	KN53050	S	01-25
409-20004	O	01-16	42710563	S	01-21	CS52335	S	01-32	KN54000	S	01-25
409-20005	O	01-23	42710565	S	01-21	CS52336	S	01-32	KN54010	S	01-25
409-20005	O	01-23	42710566	S	01-21	CS52337	S	01-32	KN55001	S	01-24
409-20006	O	01-19	42710567	S	01-21	CS52342	S	01-34	N21133A	O	01-25
409-20006	O	01-16	42710576	S	01-21	CS52343	S	01-34	N21133B	O	01-25
409-20007	O	01-23	42710579	S	01-21	CS52344	S	01-36	N21133BA	O	01-25
409-20009	O	01-11	42710585	S	01-21	CS52345	S	01-36	N21133C	O	01-25
409-20010	O	01-23	429-10627	O	01-14	CS52346	S	01-33	N21133D	O	01-25
409-20011	O	01-11	429-10655	O	01-19	CS52347	S	01-33	N21133DA	O	01-25
409-20012	O	01-23	429-10673	O	01-19	CS52348	S	01-33	N21133DB	O	01-25
409-20013	O	01-23	429-10683	O	01-19	CS52349	S	01-33	N21133DC	O	01-25
409-20014	O	01-23	443-10096	O	01-20	CS52350	S	01-33	N21133DD	O	01-25
409-20015	O	01-23	443-10101	O	01-20	CS52351	S	01-34	N21133E	O	01-25
409-20017	O	01-14	443-10187	O	01-20	CS52352	S	01-34	N21133F	O	01-25
409-20018	O	01-11	443-10188	O	01-20	CS52353	S	01-36	N21133G	O	01-25
409-20018	O	01-23	443-10204	O	01-20	CS52354	S	01-36	N21133H	O	01-25
409-20019	O	01-14	443-10318	O	01-20	CS52355	S	01-36	N21133IA	O	01-25
409-20020	O	01-23	44310096	S	01-20	CS52356	S	01-36	N21133IB	O	01-25
409-20020	O	01-23	44310101	S	01-20	CS52357	S	01-33	N21133IC	O	01-25
409-20021	O	01-14	44310187	S	01-20	CS52358	S	01-33	N21133ID	O	01-25
409-20023	O	01-14	44310188	S	01-20	CS52359	S	01-33	N21133IE	O	01-25
409-20024	O	01-19	44310204	S	01-20	CS52360	S	01-33	N21133IF	O	01-25
409-20024	O	01-19	44310318	S	01-20	CS52361	S	01-33	N21133IG	O	01-25
409-20025	O	01-19	445-10473	O	01-20	CS52362	S	01-35	N21133IH	O	01-25
409-20026	O	01-19	445-10510	O	01-20	CS52363	S	01-35	N21133II	O	01-25
409-20036	O	01-23	44510473	S	01-20	CS52364	S	01-35	N21133IJ	O	01-25
409-20037	O	01-23	44510510	S	01-20	CS52365	S	01-35	N21133IK	O	01-25
409-20038	O	01-23	452-10058	O	01-20	CS52366	S	01-35	N21133IL	O	01-25
409-20040	O	01-11	452-10094	O	01-20	CS56031	S	01-28	N21133IM	O	01-25
409-20044	O	01-17	452-10125	O	01-20	CS56032	S	01-28	N21133IN	O	01-25
40910102	O	01-14	452-10126	O	01-20	CS56033	S	01-28	N21133IO	O	01-25
40910648	O	01-17	452-10128	O	01-20	CS56034	S	01-28	N21133IP	O	01-25
40910650	O	01-14	452-10129	O	01-20	CS56035	S	01-28	N21133IQ	O	01-25
40910655	O	01-18	452-76878	O	01-20	CS56036	S	01-28	N21133IR	O	01-25
40910675	O	01-19	45210058	S	01-20	CS56037	S	01-28	N21133IS	O	01-25
40910742	O	01-14	45210094	S	01-20	CS56038	S	01-28	N21133IT	O	01-25
40920020	O	01-23	45210125	S	01-20	CS56039	S	01-28	N21133IU	O	01-25
427-10217	O	01-21	45210126	S	01-20	CS56040	S	01-28	N21133IV	O	01-25
427-10305	O	01-21	45210128	S	01-20	CS56041	S	01-28	N21133IW	O	01-25
427-10322	O	01-21	45210129	S	01-20	CS56042	S	01-28	N21133IX	O	01-24
427-10401	O	01-21	48811424	O	01-20	CS56043	S	01-27	N21145G	O	01-24
427-10420	O	01-21	609-10674	O	01-19	CS56044	S	01-27	N21149A	O	01-24
427-10421	O	01-21	81374	S	01-20	CS56045	S	01-27	N21149AB	O	01-24
427-10422	O	01-21	C365930	S	01-31	CS56046	S	01-27	N21149AE	O	01-24
427-10423	O	01-21	CQ19112	S	01-31	CS56047	S	01-27	N21149AF	O	01-24
427-10430	O	01-21	CQ19113	S	01-31	CS56048	S	01-27	N21149AG	O	01-24
427-10431	O	01-21	CQ36541	S	01-29	CS56049	S	01-27	N21149B	O	01-24
427-10457	O	01-21	CQ36543	S	01-37	CS56050	S	01-27	N21149C	O	01-24
427-10472	O	01-21	CQ36544	S	01-30	CS56051	S	01-27	N21149D	O	01-24
427-10497	O	01-21	CQ36545	S	01-30	CS56052	S	01-28	N21149E	O	01-24
427-10543	O	01-21	CQ36546	S	01-37	CS56053	S	01-28	N21149F	O	01-24
427-10548	O	01-21	CQ36551	S	01-29	CS56054	S	01-28	N21149G	O	01-24
427-10553	O	01-21	CQ36552	S	01-37	CS56055	S	01-28	N21149H	O	01-24
427-10554	O	01-21	CQ36555	S	01-30	CS56056	S	01-28	N21152B	O	01-24
427-10558	O	01-20	CQ36561	S	01-29	CS56057	S	01-28	N21153A	O	01-24
427-10562	O	01-21	CQ36562	S	01-37	KN44041	S	01-24	N21153A	O	01-26
427-10563	O	01-21	CQ36563	S	01-29	KN44051	S	01-24	N21153AB	O	01-24
427-10565	O	01-21	CQ36564	S	01-29	KN44061	S	01-24	N21153AC	O	01-24
427-10566	O	01-21	CQ36571	S	01-29	KN47001	S	01-24	N21153AD	O	01-24
427-10567	O	01-21	CQ36572	S	01-37	KN47002	S	01-24	N21153AF	O	01-24
427-10576	O	01-21	CQ36591	S	01-29	KN47011	S	01-24	N21153AG	O	01-24
427-10579	O	01-21	CQ36592	S	01-31	KN47081	S	01-24	N21153AH	O	01-24
427-10585	O	01-21	CQ36593	S	01-30	KN48001	S	01-24	N21153AK	O	01-24
42710217	S	01-21	CS44044	S	01-24	KN48031	S	01-24	N21153AP	O	01-24
42710305	S	01-21	CS44064	S	01-26	KN49000	S	01-25	N21153AS	O	01-24
42710322	S	01-21	CS44071	S	01-26	KN49010	S	01-25	N21153AT	O	01-24
42710401	S	01-21	CS47008	S	01-26	KN49020	S	01-25	N21153AV	O	01-24
42710420	S	01-21	CS52070	S	01-26	KN49030	S	01-25	N21153AW	O	01-24
42710421	S	01-21	CS52080	S	01-26	KN50000	S	01-25	N21153AZ	O	01-24
42710423	S	01-21	CS52100	S	01-26	KN50010	S	01-25	N21153B	O	01-24
42710430	S	01-21	CS52315	S	01-32	KN50060	S	01-25	N21153C	O	01-24
42710431	S	01-21	CS52316	S	01-32	KN50070	S	01-25	N21153CB	O	01-24
42710457	S	01-21	CS52317	S	01-32	KN52040	S	01-24	N21153D	O	01-24
42710472	S	01-21	CS52320	S	01-32	KN52050	S	01-24	N21153E	O	01-24
42710497	S	01-21	CS52321	S	01-32	KN52060	S	01-24	N21153EA	O	01-24
42710543	S	01-21	CS52322	S	01-32	KN53000	S	01-25	N21153EB	O	01-24
42710548	S	01-21	CS52325	S	01-32	KN53010	S	01-25	N21153EC	O	01-24
42710553	S	01-21	CS52326	S	01-32	KN53020	S	01-25	N21153F	O	01-24
42710554	S	01-21	CS52330	S	01-32	KN53030	S	01-25	N21153F	O	01-24

Type "O" = OEM P/N, Type "S" = Service P/N

If OEM part # is not found on page listed, refer to the MCR for applicable cross reference.

# Part Number Index

01-ABA

Part Number	Type	Page #	Part Number	Type	Page #	Part Number	Type	Page #	Part Number	Type	Page #
N21153G	O	01-24									
N21153H	O	01-24									
N21153J	O	01-24									
N21153J	O	01-24									
N21153J	O	01-24									
N21153K	O	01-24									
N21153L	O	01-24									
N21153M	O	01-24									
N21153N	O	01-24									
N21153P	O	01-24									
N21153PB	O	01-24									
N21153PC	O	01-24									
N21153PD	O	01-24									
N21153R	O	01-24									
N21153S	O	01-24									
N21153S	O	01-24									
N21153T	O	01-24									
N21153T	O	01-24									
N21153V	O	01-24									
N21153VA	O	01-24									
N21153VA	O	01-24									
N21153VB	O	01-24									
N21153VC	O	01-24									
N21153VD	O	01-24									
N21153VE	O	01-24									
N21153VF	O	01-24									
N21153W	O	01-24									
N21153Y	O	01-24									
N21154A	O	01-26									
N21154AB	O	01-26									
N21154AB	O	01-24									
N21154AE	O	01-24									
N21154AF	O	01-24									
N21154AG	O	01-24									
N21154AM	O	01-24									
N21154AN	O	01-24									
N21154AR	O	01-24									
N21154AR	O	01-26									
N21154AT	O	01-24									
N21154C	O	01-24									
N21154CA	O	01-24									
N21154F	O	01-24									
N21154G	O	01-24									
N21154H	O	01-24									
N21154J	O	01-24									
N21154M	O	01-24									
N21154N	O	01-24									
N21154PB	O	01-24									
N21154PD	O	01-24									
N21154R	O	01-24									
N21154R	O	01-26									
N21154V	O	01-24									
N21155A	O	01-24									
N21155PB	O	01-24									
N21156A	O	01-24									
N21156B	O	01-24									
N21156C	O	01-24									
N21156D	O	01-24									
N21156E	O	01-24									
N21165A	O	01-24									
N21166AB	O	01-24									
N21166AD	O	01-24									
N21166B	O	01-24									
N21166C	O	01-24									
N21166D	O	01-24									
N21166E	O	01-24									
N21167A	O	01-24									
N21168A	O	01-24									
N21168B	O	01-24									
N21168B	O	01-24									
N21169N	O	01-24									
N21169P	O	01-24									

Type "O" = OEM P/N, Type "S" = Service P/N

If OEM part # is not found on page listed, refer to the MCR for applicable cross reference.

## PURPOSE OF THIS SECTION

This section is designed as a reference for Haldex Commercial Vehicle Systems new and remanufactured air brake system components and accessories, sold under the Haldex and Midland product names. Products described include all pertinent information needed to replace an OEM installed component or to help design an original installation. If there is a service number for a given part, it is noted in the product number table.

## DESIGN FLEXIBILITY

The products presented in this section are described by function and usage. Technical data and mounting configurations are also provided. Throughout this section, reference is made to numerous specific OEM applications. This section is not, however, intended to be a mutually exclusive listing of all part numbers and designs available. Should the need for a design not presented occur, contact your Haldex Commercial Vehicle Systems sales representative for additional information.

## WARRANTY INFORMATION

Proper service and repair are important to the safe, reliable operation of any motor vehicle. To prevent personal injury and/or vehicle damage, careful and cautious service procedures recommended by the vehicle manufacturer should be followed by anyone servicing a motor vehicle. For details on warranty of Haldex Commercial Vehicle air brake system components and accessories, refer to L20221 Aftermarket Warranty Policy. For warranty returns, use L90005 Warranty Adjustment Form. To obtain further information, visit the [www.haldex.com](http://www.haldex.com) website, select **North America/English** in drop down box then search for **Warranty**.

## ORDERING PROCEDURE

Most customers can place electronic orders on the [www.haldex.com](http://www.haldex.com) website by obtaining a username and password or by using EDI. For additional information about electronic orders or to place an order by phone or fax, contact Customer Service in U.S. or Canada at numbers listed below:

### U.S. Customer Service:

Phone: 800-643-2374  
 Fax: 800-533-1941  
 Mail: Commercial Vehicle Systems  
 Haldex Brake Products Corporation  
 Attn: Customer Service Department  
 10930 N. Pomona Ave.  
 Kansas City, MO 64153

### Canada Customer Service:

Phone: 800-267-9247  
 Fax: 519-621-3924  
 Mail: Commercial Vehicle Systems  
 Haldex Limited  
 Canadian Distribution Centre  
 Attn: Customer Service Department  
 500 Pinebush Road, Unit 1  
 Cambridge, Ontario N1T 0A5

## IMPORTANT NOTICE

The data listed herein is correct to the best of Commercial Vehicle Systems knowledge and belief, having been compiled from reliable and official sources of information. However, COMMERCIAL VEHICLE SYSTEMS CANNOT ASSUME ANY RESPONSIBILITY for possible error or misapplication of the product. Final determination of the suitability of the products for the use contemplated by the Buyer is the sole responsibility of the Buyer. Commercial Vehicle Systems shall have no responsibility in connection with this suitability. It is not our intention to imply that any of the components in this catalog in connection with an engine make or model are made by any engine manufacturer.

Copyright 2010  
 Commercial Vehicle Systems  
 Haldex Brake Products Corporation  
 10930 N. Pomona Ave.  
 Kansas City, MO 64153

All rights reserved.

Materials may only be reproduced with written permission of Commercial Vehicle Systems.



# Haldex ABA Features

Haldex automatic brake adjusters cover more applications than any other brand.

Backed by the industry's longest warranty.

Compatible with all major brand clevises.

Reliable "O" rings and gaskets seal out moisture and contaminants.

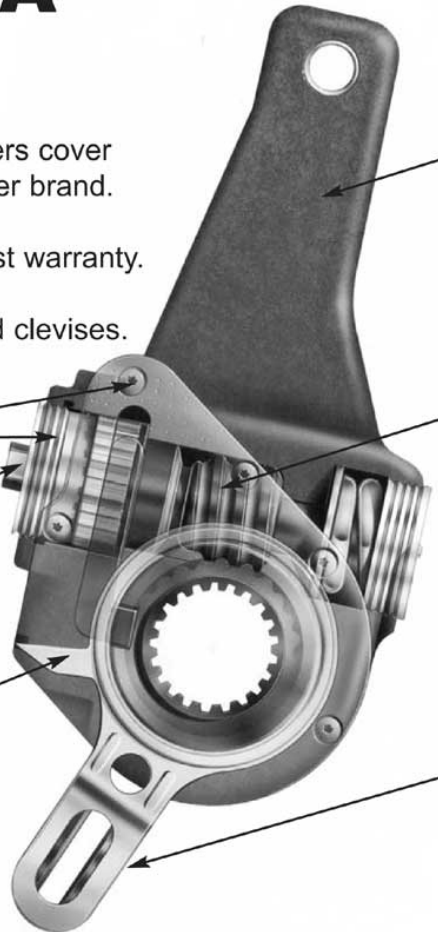
Easily accessible hex nut simplifies adjustment.

Built-in installation indicator eliminates templates, assures proper installation.

Housing is heat treated for wear and corrosion resistance.

Exclusive after-rolling process for the wormshaft increases fatigue strength.

Control arm eliminates linkage concerns and provides greater application flexibility.



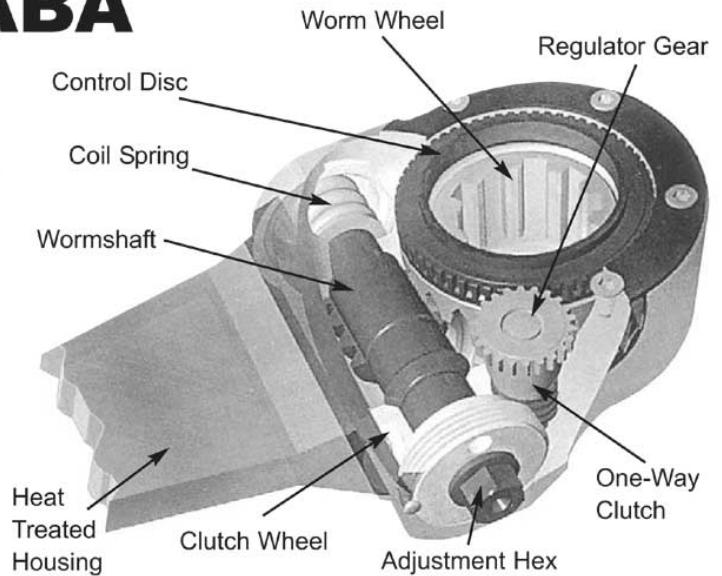
# Haldex S-ABA Features

Self-Setting control arm can be positioned from  $-16^{\circ}$  to  $+130^{\circ}$ .

Reduces the potential for installation errors.

Saves time.

Sensitive adjustment rate provides optimal lining to drum clearance.



## Selecting Your Haldex Automatic Brake Adjuster

**Step 1**

Determine what axle the adjuster will be used on; see typical applications on the following pages.

**Step 2**

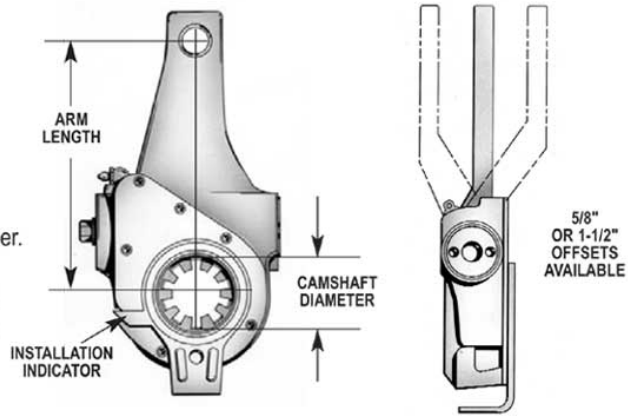
Determine the camshaft diameter and number of splines.

**Step 3**

Determine the adjuster arm length.

**Step 4**

Select the proper kit number. The kit includes: Haldex Automatic Brake Adjuster, anchor bracket, anti-seize lubricant and installation instructions.



## Haldex ABA (AA1) Identification

Part Number:

409-10\_\_\_ = Reduced maintenance adjuster  
 429-10\_\_\_ = No-Lube adjuster

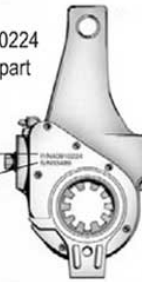
Serial Number:

First 3 digits = Day of year built  
 Last 2 digits = Year of build

**After Sept. 1989**

The Part No. P/N40910224 would be our adjuster part number 409-10224.

Part Number  
**P/N40910224**  
 Serial Number  
**S/N33489**



**Prior to Sept. 1989**

The first three numbers stamped on the cover plate is the brake adjuster part number. For example: 224 would be our adjuster part number 409-10224.



## Haldex S-ABA Identification

Part Number:

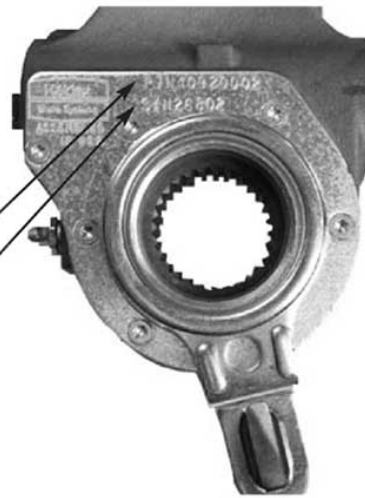
409-20\_\_\_ = S-ABA Brake Adjuster

Serial Number:

First 3 digits = Day of year built  
 Last 2 digits = Year of build

The Part No. P/N40920002 would be our adjuster part number 409-20002.

Part Number  
**P/N40920002**  
 Serial Number  
**S/N26802**



Reference The O.E. Part Number That Is Stamped Into The ABA Side Cover To The 400 Series Replacement Service Number Below.

Use the 400 Service Replacement ABA Kits for all aftermarket requirements. 400 series kits include new hardware and may update the ABA design.

Multiple O.E. Listings indicate variations by bracket kit. See Bracket Kit Section to assure service replacement kit number.

**Note:** 300 & 419 series ABA's are Transit/Coach applications and are not included in this catalog. Contact Haldex Commercial Vehicle Systems for numbers not listed.

O.E. PART NO.	SERVICE PART NO.	O.E. PART NO.	SERVICE PART NO.	O.E. PART NO.	SERVICE PART NO.	O.E. PART NO.	SERVICE PART NO.
409-10011	40010145	409-10249	40010003	409-10466	40010156	409-10664	40010041
409-10051	40010145	409-10250	40010002	409-10471	40010211	409-10665	40010040
409-10070	40010144	409-10255	40010013	409-10472	40010212	409-10673	40010212
409-10075	40010208	409-10257	40010005	409-10473	40010213	409-10674	40010214
409-10085	40010155	409-10258	40010008	409-10474	40010214	409-10675	40010216
409-10086	40010207	409-10263	40010006	409-10475	40010215	409-10678	40010144
409-10091	40010146	409-10264	40010007	409-10476	40010216	409-10679	40010146
409-10093	40010140	409-10265	40010048	409-10490	40010304	409-10680	40010145
409-10094	40010156	409-10266	40010049	409-10491	40010305	409-10682	40010146
409-10099	40010208	409-10279	40010306	409-10492	40010306	409-10683	40010211
409-10101	40010155	409-10282	40010304	409-10493	40010307	409-10684	40010213
409-10102	40010142	409-10287	40010145	409-10495	40010001	409-10685	40010215
409-10108	40010005	409-10288	40010144	409-10496	40010004	409-10687	40010227
409-10110	40010303	409-10294	40010155	409-10497	40010003	409-10731	40010142
409-10111	40010302	409-10298	40010054	409-10498	40010002	409-10732	40010140
409-10111	40010306	409-10298	40010055	409-10499	40010005	409-10733	40010143
409-10112	40010007	409-10299	40010056	409-10502	40010008	409-10741	40010142
409-10113	40010006	409-10299	40010057	409-10526	40010227	409-10742	40010140
409-10114	40010003	409-10304	40010009	409-10530	40010141	409-10747	40010157
409-10115	40010002	409-10305	40010010	409-10531	40010140	409-10748	40010158
409-10124	40010145	409-10310	40010403	409-10532	40010141	409-10759	40010070
409-10125	40010140	409-10311	40010404	409-10533	40010142	409-10760	40010071
409-10126	40010156	409-10312	40010156	409-10535	40010041	409-10761	40010072
409-10128	40010001	409-10314	40010140	409-10536	40010040	409-10762	40010073
409-10130	40010142	409-10315	40010142	409-10548	40010143	409-10767	40010300
409-10134	40010143	409-10318	40010306	409-10551	40010141	409-10774	40010006
409-10135	40010143	409-10319	40010004	409-10552	40010140	409-10775	40010007
409-10146	40010067	409-10325	40010003	409-10553	40010141	409-10808	40010078
409-10146	40010144	409-10326	40010002	409-10561	40010140	409-10821	40010168
409-10147	40010057	409-10334	40010041	409-10564	40010142	409-20000	40020215
409-10148	40010055	409-10335	40010040	409-10565	40010143	409-20002	40020211
409-10149	40010040	409-10351	40010205	409-10566	40010140	409-20004	40020216
409-10150	40010041	409-10352	40010212	409-10579	40010144	409-20006	40020212
409-10151	40010305	409-10360	40010140	409-10580	40010146	409-20024	40020213
409-10163	40010013	409-10361	40010073	409-10581	40010145	409-20025	40020214
409-10164	40010010	409-10362	40010156	409-10584	40010402	429-10649	40010157
409-10165	40010009	409-10363	40010304	409-10587	40010161	429-10650	40010158
409-10168	40010008	409-10364	40010004	409-10588	40010162	429-10655	40010305
409-10172	40010013	409-10365	40010206	409-10599	40010009	429-10656	40010306
409-10174	40010156	409-10365	40010216	409-10600	40010010	429-10673	40010212
409-10176	40010010	409-10370	40010155	409-10601	40010054	429-10674	40010214
409-10177	40010009	409-10384	40010008	409-10601	40010055	429-10675	40010216
409-10178	40010140	409-10385	40010053	409-10602	40010056	429-10683	40010211
409-10211	40010306	409-10386	40010211	409-10602	40010057	429-10684	40010213
409-10215	40010141	409-10387	40010121	409-10605	40010071	429-10685	40010215
409-10218	40010214	409-10390	40010141	409-10606	40010065	429-10759	40010070
409-10222	40010156	409-10391	40010001	409-10612	40010048	429-10760	40010071
409-10223	40010155	409-10392	40010206	409-10613	40010049	429-10761	40010072
409-10224	40010001	409-10392	40010216	409-10615	40010140	429-10762	40010073
409-10225	40010140	409-10394	40010215	409-10626	40010142		
409-10226	40010142	409-10396	40010200	409-10627	40010143		
409-10227	40010137	409-10398	40010211	409-10628	40010141		
409-10228	40010008	409-10404	40010140	409-10635	40010155		
409-10229	40010141	409-10405	40010140	409-10637	40010008		
409-10230	40010206	409-10406	40010141	409-10638	40010068		
409-10230	40010216	409-10408	40010141	409-10639	40010069		
409-10231	40010206	409-10410	40010142	409-10648	40010156		
409-10231	40010216	409-10416	40010156	409-10649	40010143		
409-10232	40010215	409-10417	40010155	409-10650	40010141		
409-10233	40010215	409-10418	40010306	409-10654	40010304		
409-10234	40010212	409-10426	40010140	409-10655	40010305		
409-10235	40010212	409-10429	40010141	409-10656	40010306		
409-10236	40010211	409-10430	40010211	409-10657	40010307		
409-10237	40010211	409-10442	40010145	409-10658	40010001		
409-10238	40010143	409-10443	40010144	409-10659	40010004		
409-10239	40010142	409-10444	40010146	409-10660	40010003		
409-10240	40010141	409-10457	40010140	409-10661	40010002		
409-10241	40010140	409-10458	40010142	409-10662	40010005		
409-10247	40010216	409-10465	40010053	409-10663	40010008		

Use the chart to identify the Bracket Kit Part Number from the 400 series ABA Kit Part Number.

**(Note: Service replacement 400 series kits may contain a revised ABA body design and bracket. If the current design bracket kit does not directly replace the existing bracket, it is recommended to replace the ABA assembly with the appropriate current design 400 series kit.)**

Contact Haldex Commercial Vehicle Systems for part numbers not listed.

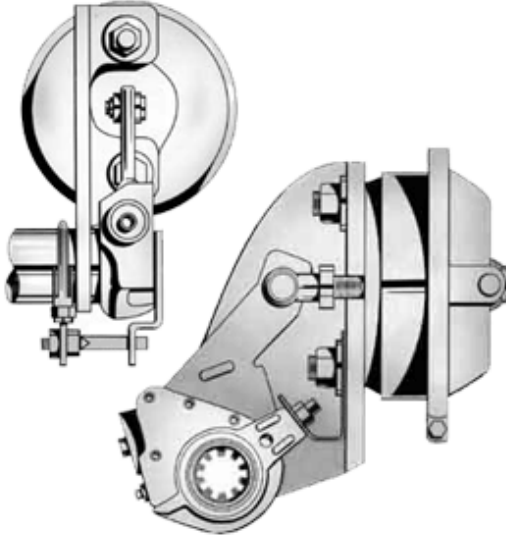
ABA Kit Part No.	Bracket Kit Part Number
40010001	42710566
40010002	42710566
40010003	42710566
40010004	42710567
40010005	42710566
40010006	42710497
40010007	42710497
40010008	42710566
40010009	42710548
40010010	42710548
40010011	42710401
40010012	42710401
40010013	42710401
40010016	42710497
40010030	42710548
40010031	42710548
40010040	42710567
40010041	42710567
40010048	42710497
40010049	42710497
40010050	42710497
40010051	42710497
40010052	42710305
40010053	42710543
40010054	42710548
40010055	42710497
40010056	42710548
40010057	42710497
40010063	42710497
40010065	42710497
40010067	42710457
40010068	42710421
40010069	42710420
40010070	42710576
40010071	42710576
40010072	42710576

ABA Kit Part No.	Bracket Kit Part Number
40010073	42710576
40010074	42710217
40010077	42710497
40010078	42710497
40010079	42710543
40010100	42710553
40010102	42710430
40010104	42710497
40010105	42710497
40010106	42710497
40010107	42710510
40010121	42710553
40010136	42710430
40010137	42710472
40010138	42710430
40010139	42710472
40010140	42710553
40010141	42710553
40010142	42710553
40010143	42710553
40010144	42710566
40010145	42710566
40010146	42710566
40010154	42710553
40010155	42710554
40010156	42710554
40010157	42710430
40010158	42710430
40010161	42710430
40010162	42710430
40010163	42710430
40010164	42710430
40010168	42710497
40010200	42710423
40010201	42710423
40010202	42710423

ABA Kit Part No.	Bracket Kit Part Number
40010203	42710423
40010204	42710423
40010205	42710423
40010206	42710431
40010207	42710322
40010208	42710322
40010209	42710423
40010211	42710563
40010212	42710563
40010213	42710563
40010214	42710563
40010215	42710563
40010216	42710563
40010227	42710563
40010229	42710563
40010230	42710563
40010300	42710423
40010301	42710423
40010302	42710431
40010303	42710423
40010304	42710563
40010305	42710563
40010306	42710563
40010307	42710563
40010402	42710543
40010403	42710401
40010404	42710401
40010405	42710305
40020211	42710563
40020212	42710563
40020213	42710563
40020214	42710563
40020215	42710563
40020216	42710563

## Steer Axle Applications

### Standard Applications



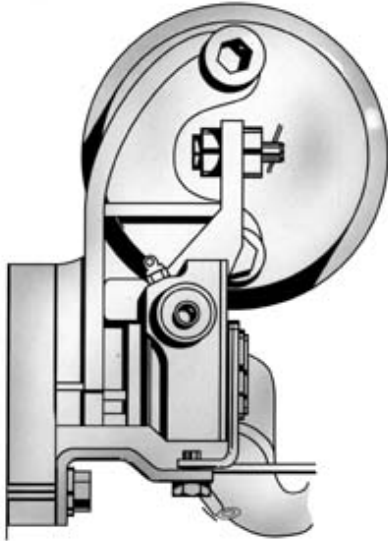
#### Features:

- Haldex Automatic Brake Adjusters cover more applications than any other brand.
- Backed by the industry's longest warranty.
- Compatible with all major brand clevises.

SKU#	Product Description	S-ABA Version Available	Spline	Offset	Arm Length	Arm Hole Diameter	Anchor Bracket Style	Bracket Number
40010001	ABA Service Kit	-	1-1/4" 10	None	5-1/2"	0.63	Clamp	42710566
40010002	ABA Service Kit	-	1-1/4" 10	5/8" RH	5-1/2"	0.63	Clamp	42710566
40010003	ABA Service Kit	-	1-1/4" 10	5/8" LH	5-1/2"	0.63	Clamp	42710566
40010004	ABA Service Kit	-	1-1/4" 24	None	5-1/2"	0.63	Clamp	42710567
40010005	ABA Service Kit	40020226	1-1/2" 10	None	5-1/2"	0.63	Clamp	42710566
40010008	ABA Service Kit	40020229	1-1/2" 28	None	5-1/2"	0.63	Clamp	42710566
40010040	ABA Service Kit	-	1-1/4" 24	5/8" RH	5-1/2"	0.63	Clamp	42710567
40010041	ABA Service Kit	-	1-1/4" 24	5/8" LH	5-1/2"	0.63	Clamp	42710567
40010070	ABA Service Kit	40020241	1-1/2" 28	None	5-1/2"	0.50	Strap	42710576
40010071	ABA Service Kit	40020236	1-1/2" 10	None	5-1/2"	0.50	Strap	42710576
40010072	ABA Service Kit	40020235	1-1/4" 10	None	5-1/2"	0.50	Strap	42710576
40010073	ABA Service Kit	-	1-1/4" 24	None	5-1/2"	0.50	Strap	42710576
40020229	S-ABA Brake Adjuster	-	1-1/2" - 28	None	5-1/2"	0.63	Clamp	42710566
40020235	S-ABA Brake Adjuster	-	1-1/4" 10	None	5-1/2"	0.50	Strap	42710576
40020236	S-ABA Brake Adjuster	-	1-1/2" 10	None	5-1/2"	0.50	Strap	42710576
40020241	S-ABA Brake Adjuster	-	1-1/2" 28	None	5-1/2"	0.50	Strap	42710580

## Steer Axle Applications

### Mack 16,000 lb. and Greater Applications



#### Features:

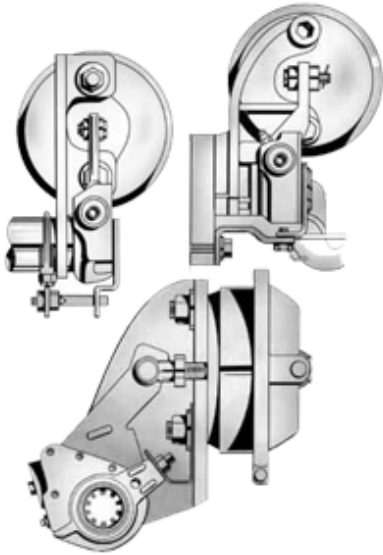
- Haldex Automatic Brake Adjusters cover more applications than any other brand.
- Backed by the industry's longest warranty.
- Compatible with all major brand clevises.

**Mack 16,000 lb. or Higher  
Rater Steer Axle with Spider  
Mounted Bracket (typical)**

SKU#	Product Description	Spline	Offset	Arm Length	Anchor Bracket Style	Bracket Number
40010009	ABA Service Kit for Mack 16,000 lb. and Greater Application	1-1/2" 28	1 1/2" RH	5-1/2"	Spider	42710548
40010010	ABA Service Kit for Mack 16,000 lb. and Greater Application	1-1/2" 28	1 1/2" LH	5-1/2"	Spider	42710548

## Steer Axle Applications

### Non-Standard Steer Axle Applications



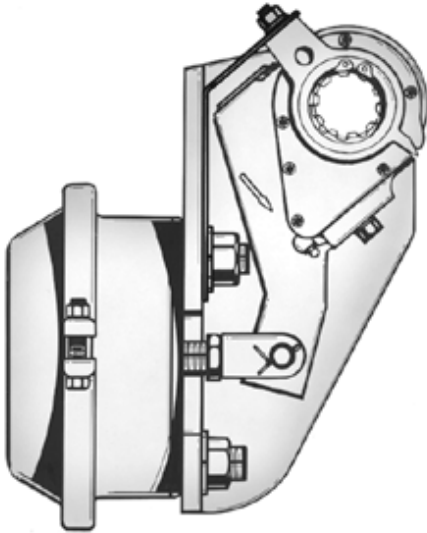
#### Features:

- Haldex Automatic Brake Adjusters cover more applications than any other brand.
- Backed by the industry's longest warranty.
- Compatible with all major brand clevises.

SKU#	Product Description	Spline	Offset	Arm Length	Anchor Bracket Style	Bracket Number
40010006	ABA Service Kit for Non-Standard Steer Axle Application	1-1/2" 10	5/8" RH	5-1/2"	Clamp	42710497
40010007	ABA Service Kit for Non-Standard Steer Axle Application	1-1/2" 10	5/8" LH	5-1/2"	Clamp	42710497
40010013	ABA Service Kit for Non-Standard Steer Axle Application	1-1/4" 10	None	5-1/2"	Strap	42710401
40010048	ABA Service Kit for Non-Standard Steer Axle Application	1-1/2" 28	5/8" RH	5-1/2"	Clamp	42710497
40010049	ABA Service Kit for Non-Standard Steer Axle Application	1-1/2" 28	5/8" LH	5-1/2"	Clamp	42710497
40010054	ABA Service Kit for Non-Standard Steer Axle Application	1-1/2" 10	1 1/2" RH	5-1/2"	Spider	42710548
40010055	ABA Service Kit for Non-Standard Steer Axle Application	1-1/2" 10	1 1/2"RH	5-1/2"	Clamp	42710497
40010056	ABA Service Kit for Non-Standard Steer Axle Application	1-1/2" 10	1 1/2"LH	5-1/2"	Spider	42710548
40010057	ABA Service Kit for Non-Standard Steer Axle Applications	1-1/2" 10	1 1/2"LH	5-1/2"	Clamp	42710497
40010081	ABA Service Kit for Non-Standard Steer Axle Application	1-1/2" 28	None	5-1/2"	Clamp	42710497
40010403	ABA Service Kit for Non-Standard Steer Axle Applications	1-1/2" 28	5/8" RH	5-1/2"	Strap	42710401
40010404	ABA Service Kit for Non-Standard Steer Axle Applications	1-1/12" 28	5/8" LH	5-1/2"	Strap	42710401
40010501	ABA Service Kit for Non-Standard Steer Axle Application	1-1/2" 28	3/8"	6"	Clamp	42710497
40010502	ABA Service Kit for Non-Standard Steer Axle Application	1-1/2" 28	3/8"	6"	Clamp	42710497

## Drive Axle Applications

### Standard Applications



**Drive Axle with Strap Bracket  
(typical)**

#### Features:

- Haldex Automatic Brake Adjusters cover more applications than any other brand.
- Backed by the industry's longest warranty.
- Compatible with all major brand clevises.

SKU#	Product Description	S-ABA Version Available	Spline	Arm Length	Anchor Bracket Style	Bracket Number
40010140	ABA Service Kit	40020234	1-1/2" 28	5", 6"	Strap	42710553
40010141	ABA Service Kit	40020231	1-1/2" 28	5-1/2", 6-1/2"	Strap	42710553
40010142	ABA Service Kit	40020233	1-1/2" 10	5", 6"	Strap	42710553
40010143	ABA Service Kit	40020228	1-1/2" 10	5-1/2", 6-1/2"	Strap	42710553
40010180	ABA Service Kit	-	1-1/2" 28	5-1/2"	Strap	42710553
40010183	ABA Service Kit	-	1-1/2" 28	6"	Strap	42710553
40020228	S-ABA Brake Adjuster	-	1-1/2" - 10	5-1/2", 6-1/2"	Strap	42710543
40020231	S-ABA Brake Adjuster	-	1-1/2" - 28	5-1/2"	Strap	42710553
40020233	S-ABA Brake Adjuster	-	1-1/2" - 10	5", 6"	Strap	42710553
40020234	S-ABA Brake Adjuster	-	1-1/2" - 28	5", 6"	Strap	42710553



## Drive Axle Applications

### Meritor Air Disc Brake Applications



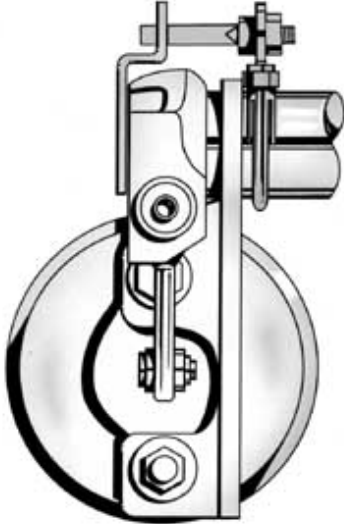
#### Features:

- Haldex Automatic Brake Adjusters cover more applications than any other brand.
- Backed by the industry's longest warranty.
- Compatible with all major brand clevises.

SKU#	Product Description	Spline	Arm Length	Anchor Bracket Style	Bracket Number
40010402	ABA Service Kit for Meritor Air Disc Brake Application	1-1/2" 28	5-1/2"	Strap	42710543

## Drive Axle Applications

### Mack Truck Applications



#### Features:

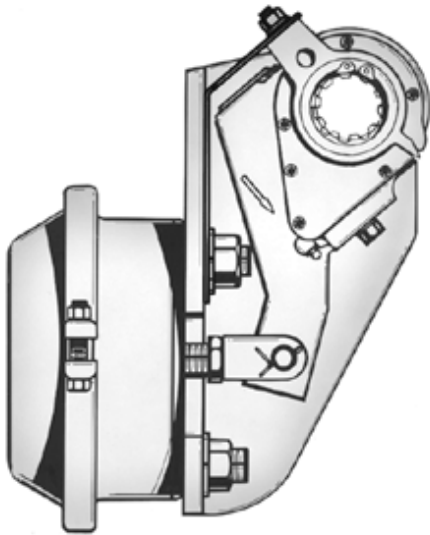
- Haldex Automatic Brake Adjusters cover more applications than any other brand.
- Backed by the industry's longest warranty.
- Compatible with all major brand clevises.

#### Mack Drive Axle with Clamp Bracket and Flat Stud (typical)

SKU#	Product Description	S-ABA Version Available	Spline	Arm Length	Anchor Bracket Style	Bracket Number	Notes
40010067	ABA Service Kit	-	1-1/2" 28	5", 6"	Spider	42710457	For short camshaft tube Mack, 2" or less.
40010144	ABA Service Kit	40020243	1-1/2" 28	6"	Clamp	42710566	For Mack Truck with 3" and longer camshaft tubes.
40010145	ABA Service Kit	40020244	1-1/2" 10	6"	Clamp	42710566	-
40010146	ABA Service Kit	-	1-1/2" 28	5 1/2", 6 1/2"	Clamp	42710566	-
40020243	S-ABA Brake Adjuster	-	1-1/2" 28	6"	Clamp	42710566	For Mack Truck with 3" and longer camshaft tubes.
40020244	S-ABA Brake Adjuster	-	1-1/2" 10	6"	Clamp	42710566	-

## Drive Axle Applications

### Kenworth with 8 Bag Air Ride



#### Features:

- Haldex Automatic Brake Adjusters cover more applications than any other brand.
- Backed by the industry's longest warranty.
- Compatible with all major brand clevises.

#### Notes:

- 1) Use this kit to avoid interference with air bag supports.

SKU#	Product Description	S-ABA Version Available	Spline	Arm Length	Anchor Bracket Style	Bracket Number
40010155	ABA Service Kit	40020238	1-1/2" 10	5-1/2"	Strap	42710554
40010156	ABA Service Kit	-	1-1/2" 28	5-1/2"	Strap	42710554
40020238	S-ABA Brake Adjuster	-	1-1/2" 10	5-1/2"	Strap	42710554

## Trailer Axle Applications

### 12-1/4" Brake Assemblies



#### Features:

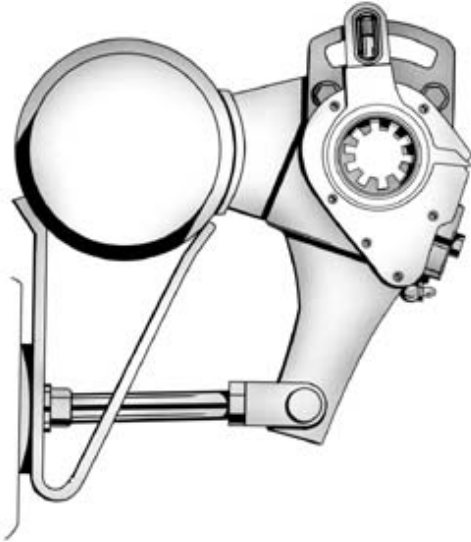
- Haldex Automatic Brake Adjusters cover more applications than any other brand.
- Backed by the industry's longest warranty.
- Compatible with all major brand clevises.

#### For 12-1/4" Brake Assemblies (typical)

SKU#	Product Description	Spline	Arm Length	Anchor Bracket Style	Bracket Number
40010302	ABA Service Kit for 12-1/4" Brake Assembly Application	1-1/2" 10	5", 6"	Plate	42710431
40010304	ABA Service Kit for 12-1/4" Brake Assembly Application	1-1/2" 28	5 1/2"	Plate & Flat Stud	42710563
40010305	ABA Service Kit for 12-1/4" Brake Assembly Applications	1-1/2" 28	6"	Plate & Flat Stud	42710563
40010306	ABA Service Kit for 12-1/4" Brake Assembly Application	1-1/2" 10	6"	Plate & Flat Stud	42710563
40010307	ABA Service Kit for 12-1/4" Brake Assembly Applications	1-5/8" 37	6"	Plate & Flat Stud	42710563

## Trailer Axle Applications

### 16-1/2" Brake Assemblies



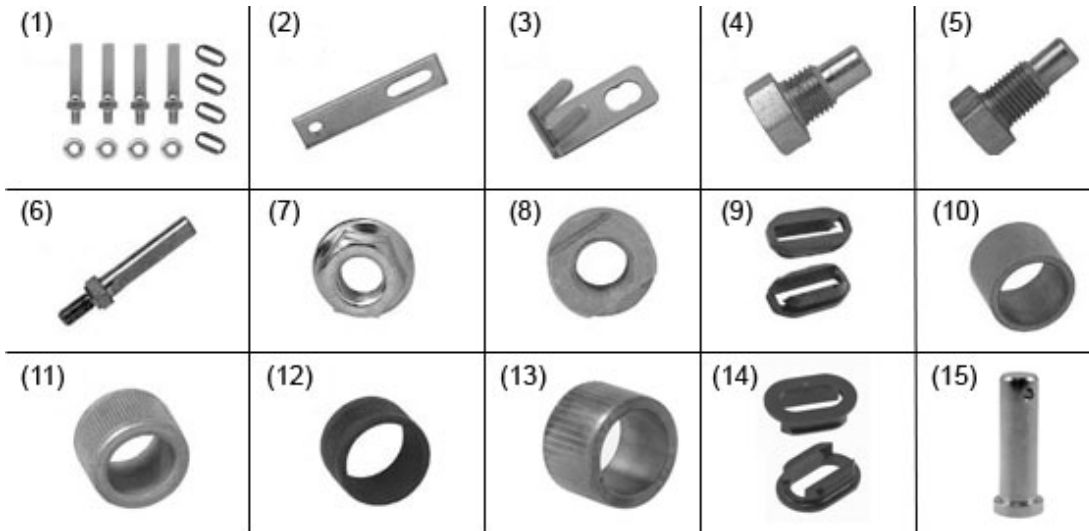
For 16-1/2" Brake Assemblies  
(typical)

#### Features:

- Haldex Automatic Brake Adjusters cover more applications than any other brand.
- Backed by the industry's longest warranty.
- Compatible with all major brand clevises.

SKU#	Product Description	S-ABA Version Available	Spline	Arm Length	Anchor Bracket Style	Bracket Number
40010206	ABA Service Kit	-	1-1/2" 10	6"	Plate	42710431
40010207	ABA Service Kit	-	1-1/2" 10	5", 6"	Strap	42710322
40010208	ABA Service Kit	-	1-5/8" 37	6"	Strap	42710322
40010211	ABA Service Kit	40020211	1-1/2" 28	5 1/2"	Plate & Flat Stud	42710563
40010212	ABA Service Kit	40020212	1-1/2" 28	6"	Plate & Flat Stud	42710563
40010213	ABA Service Kit	40020213	1-5/8" 37	5 1/2"	Plate & Flat Stud	42710563
40010214	ABA Service Kit	40020214	1-5/8" 37	6"	Plate & Flat Stud	42710563
40010215	ABA Service Kit	40020215	1-1/2" 10	5 1/2"	Plate & Flat Stud	42710563
40010216	ABA Service Kit	40020216	1-1/2" 10	6"	Plate & Flat Stud	42710563
40010222	ABA Service Kit	-	1-1/2" 10	6"	Plate	42710431
40010223	ABA Service Kit	-	1-1/2" 10	6"	Plate	42710431
40010224	ABA Service Kit	-	1-1/2" 10	6"	Plate	42710423
40010225	ABA Service Kit	-	1-1/2" 10	6"	Plate	42710423
40010227	ABA Service Kit	-	1-1/2" 28	5"	Plate & Flat Stud	42710563
40020211	S-ABA Brake Adjuster	-	1-1/2" - 28	5-1/2"	Plate & Flat Stud	42710563
40020212	S-ABA Brake Adjuster	-	1-1/2" - 28	6"	Plate & Flat Stud	42710563
40020213	S-ABA Brake Adjuster	-	1-5/8" - 37	5-1/2"	Plate & Flat Stud	42710563
40020214	S-ABA Brake Adjuster	-	1-5/8" - 37	6"	Plate & Flat Stud	42710563
40020215	S-ABA Brake Adjuster	-	1-1/2" - 10	5-1/2"	Plate & Flat Stud	42710563
40020216	S-ABA Brake Adjuster	-	1-1/2" - 10	6"	Plate & Flat Stud	42710563

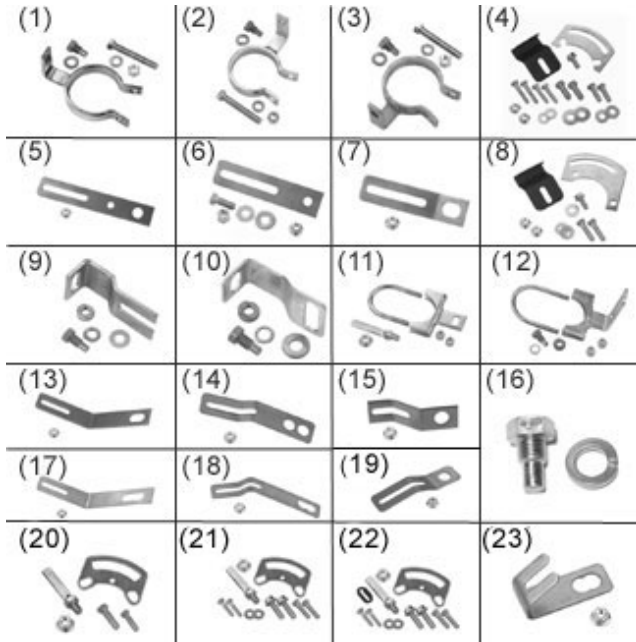
## Service Parts



Use the information and illustrations on the product pages to identify service parts. When service is required, we recommend that you service or inspect each ABA on the axle or tandem.

SKU#	Product Description	Length	Notes	Pic. #
42710558	Stud Kit	-	Kit services 4 ABA's & includes 4 ea.: #44310290 Studs, #45210125 Bushings, & #44310204 Flanged Nuts	1
44310096	Anchor Screw	1"	Use with Threaded Anchor Bracket - 7/16" - 14 thread	4
44310101	Slide Nut	13/16"	7/16" - 14 thread	8
44310187	Flange Nut	-	5/16" - 18 thread	7
44310188	Anchor Screw	1 1/4"	Use with # 44310101 Slide Nut - 7/16" - 14 thread	5
44310204	Flange Nut	-	7/16" - 14 thread (for Flat Stud)	7
44310318	Automatic Brake Adjuster Double Flat Stud	3 15/16"	3" length under hex to end of stud (Rectangle Base, Extended Threads) 7/16"-14 thread	6
44510473	Automatic Brake Adjuster Bracket	4 1/8"	Bracket Adjusting Plate - 7/16" - 14 thread	2
44510510	Automatic Brake Adjuster J Bracket	3 3/8"	Current design Rockwell Steer Axle	3
45210058	Clevis Bushing	-	1/2" Inside Diameter x 5/8" Outside Diameter	10
45210094	Clevis Bushing	-	1/2" Inside Diameter x 3/4" Outside Diameter (Serrated)	11
45210125	Rectangular Bushing	-	Plastic Control Arm Bushing (1 1/4" x 3/4")	9
45210126	Oval Bushing	-	Plastic Control Arm Bushing (15/16" x 5/8")	14
45210128	Clevis Bushing	-	5/8" Inside Diameter x 13/16" Outside Diameter (Serrated)	12
45210129	Clevis Bushing	-	1/2" Inside Diameter x 5/8" Outside Diameter (Serrated)	12
48811424	Clevis Pin	1-11/32"	1/2" Stainless Steel	15
81374	Control Arm Bushing	-	14mm Inside Diameter x 3/4" Outside Diameter (Serrated)	13

## Bracket Kits



### Features:

- Bracket kits may be identified by the illustrations on the individual product pages.
- Service replacement 300 or 400 series kits may contain a revised ABA body design and bracket. If the current design bracket kit does not directly replace the existing bracket, it is recommended that you replace the ABA assembly with the appropriate current design 300 or 400 series kit.
- Each kit services one ABA only.

SKU#	Product Description	Application	Style	Dimensions	Notes	Pic. #
42710217	Bracket Kit	Drive or Steer	Clamp	2-1/4" – 2-1/2" Tube	Drive or Steer Axle	1
42710305	Bracket Kit	Universal	Strap	1-1/4" x 7-3/8" Straight	7-3/8" Long	5
42710322	Bracket Kit	Trailer	Strap	1-1/4" x 5-3/8" Straight	Weld to Axle	6
42710401	Bracket Kit	Steer	Strap	1-1/4" x 5-3/8" Angle	Meritor Air Disc Brake	7
42710420	Bracket Kit	Drive	Clamp	2-1/4" – 2-1/2" Tube	Drive Axle	2
42710421	Bracket Kit	Drive	Clamp	2-1/4" – 2-1/2" Tube	Drive Axle	3
42710423	Bracket Kit	Trailer	Plate	Plate	Early Design Trailer with Studed Control Arm ABA	4
42710430	Bracket Kit	Drive	Strap	1-1/4" x 7-7/8" Angled	Strap and Nut Drive Axle	13
42710431	Bracket Kit	Trailer	Plate	Plate	Dana 3-Hole Cam Support (Early design trailer with studed control arm ABA)	8
42710457	Bracket Kit	Drive	Spider	4-3/8" x 1-3/4"	Mack Drive Axle	9
42710472	Bracket Kit	Drive	Strap	1-1/4" x 9"	Angled Drive for 6-1/2" Length ABA's	17
42710497	Bracket Kit	Steer	Clamp	2-1/4" Center to Center	5/8" Offset ABA	12
42710543	Bracket Kit	Steer/Drive	Strap	1-1/4" x 6-1/2"	Meritor Air Disc Brake	14
42710548	Bracket Kit	Steer	Spider	3-3/4" Overall	Mack 16K Steer Axle (1-1/2" Offset)	10
42710553	Bracket Kit	Drive	Strap	1-1/4" x 7"	Angled	18
42710554	Bracket Kit	Drive	Strap	1-1/4" x 4-3/4"	Kenworth with 8 Bag Air Ride	15
42710562	Bracket Kit	Trailer		Plate	Trailer	20

			Plate & Flat Stud			
42710563	Bracket Kit	Trailer	Plate & Flat Stud	Plate	Standard Cam Support	21
42710565	Bracket Kit	Trailer	Plate & Flat Stud	Plate	Includes Arm Bushing	22
42710566	Bracket Kit	Steer/Drive	Clamp	2-1/4" Center to Center	Mack Drive Axle	11
42710567	Bracket Kit	Steer	Clamp	2" Center to Center	U-Bolt	11
42710576	Bracket Kit	Steer	Clamp	3-3/8" Overall	-	23
42710579	Bracket Kit	Anchor Brackets	Anchor Screw	7/16" 14 Thread	Includes lockwasher	16
42710585	Bracket Kit	Drive	Strap	1-1/4" x 5-1/4"	Kenworth with 8 Bag Air Ride	19



## S-ABA Brake Adjusters



**Typical**

### Features:

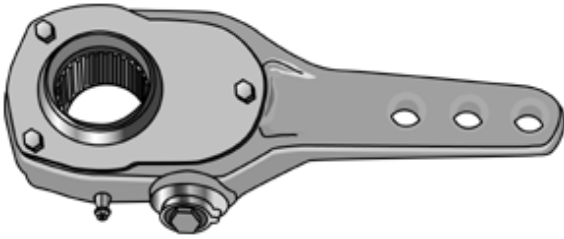
- High alloy steel gears
- Rolled wormshaft
- Heat-treated housing
- Centralized clutch

### Notes:

- 1) The clearance-sensing design maintains a constant and uniform distance between the brake drum and lining.
- 2) The gradual adjustment of the S-ABA lowers the risk of over-adjustment during prolonged braking.

SKU#	Product Description	Spline	Arm Length	Anchor Bracket Style	Bracket Kit	OEM Part Number
40020217	S-ABA Brake Adjuster	1-1/2" - 10	6"	Plate & Flat Stud	42710563	409-20020
40020218	S-ABA Brake Adjuster	1-1/2" - 10	6"	Plate	42710431	409-20013
40020219	S-ABA Brake Adjuster	1-1/2" - 10	5"	Plate	42710431	409-20036
40020220	S-ABA Brake Adjuster	1-1/2" - 28	6"	Plate & Flat Stud	42710563	409-20014
40020221	S-ABA Brake Adjuster	1-1/2" - 10	6"	Strap	42710322	409-20005
40020222	S-ABA Brake Adjuster	1-1/2" - 10	5"	Strap	42710322	409-20037
40020223	S-ABA Brake Adjuster	1-1/2" - 10	6"	Plate	42710431	409-20005
40020224	S-ABA Brake Adjuster	1-1/2" - 10	5"	Plate & Flat Stud	42710563	409-20038
40020225	S-ABA Brake Adjuster	1-1/2" - 28	6"	Strap	42710322	409-20007
40020226	S-ABA Brake Adjuster	1-1/2" - 10	5-1/2"	Strap	42710543	409-20001
40020227	S-ABA Brake Adjuster	1-1/2" - 28	5-1/2"	Strap	42710543	409-20003
40020230	S-ABA Brake Adjuster	1-1/2" - 28	5-1/2"	Plate & Flat Stud	42710563	409-20018
40020232	S-ABA Brake Adjuster	1-1/2" - 10	6"	Clamp	42710566	409-20020
40020304	S-ABA Brake Adjuster	1-1/2" - 28	5-1/2"	Plate & Flat Stud	42710563	409-20010
40020305	S-ABA Brake Adjuster	1-1/2" - 28	6"	Plate & Flat Stud	42710563	409-20014
40020306	S-ABA Brake Adjuster	1-1/2" - 10	6"	Plate & Flat Stud	42710563	409-20012

## Straight Arm – Manual Brake Adjusters



## Features:

- Forged steel.
- 26,000 In. Lbs.
- Bi-directional design.
- Press-out arm hole bushings.
- Permanently lubricated, yet are equipped with zerk fittings for optional lubrication.
- Positive lock mechanism is protected from rust and corrosion by plating and shaft sealing.
- Assemblies are plated to provide superior rust protection.
- BUSHING NUMBER – 10037.

SKU#	Product Description	Arm Length (inches)	Pin Size	Spline Diameter	Number of Teeth	Zerk Fitting	Application
CS44044	Manual Brake Adjuster – Straight Arm	5.5	.50	1.60	37	Straight	Propar
KN44041	Manual Brake Adjuster – Straight Arm	6.0	.50	1.60	37	Straight	Propar
KN44051	Manual Brake Adjuster – Straight Arm	5.0, 6.0	.50	1.50	28	Straight	Meritor
KN44061	Manual Brake Adjuster – Straight Arm	5.5, 6.5	.50	1.50	28	Straight	Meritor
KN47001	Manual Brake Adjuster – Straight Arm	5.0, 6.0, 7.0	.50	1.50	10	Straight	Standard
KN47002	Manual Brake Adjuster – Straight Arm	4.5, 5.5	.50	1.50	10	Straight	Standard
KN47011	Manual Brake Adjuster – Straight Arm	5.5, 6.5	.50	1.50	10	Straight	Standard
KN47081	Manual Brake Adjuster – Straight Arm	5.0, 6.0	.50	1.50	10	Straight	Standard
KN48001	Manual Brake Adjuster – Straight Arm	5.0, 6.0	.50	1.25	10	Straight	Standard
KN48031	Manual Brake Adjuster – Straight Arm	4.5, 5.5	.50	1.25	10	Straight	Standard
KN52040	Manual Brake Adjuster – Straight Arm	4.0, 5.0	.50	1.25	40	Straight	Ford
KN52050	Manual Brake Adjuster – Straight Arm	5.5	.50	1.50	48	Straight	Ford
KN52060	Manual Brake Adjuster – Straight Arm	4.0, 5.0	.50	1.50	48	Straight	Ford
KN55001	Manual Brake Adjuster – Straight Arm	5.5	.50	1.25	24	Straight	Meritor

## Offset Arm – Manual Brake Adjusters



### Features:

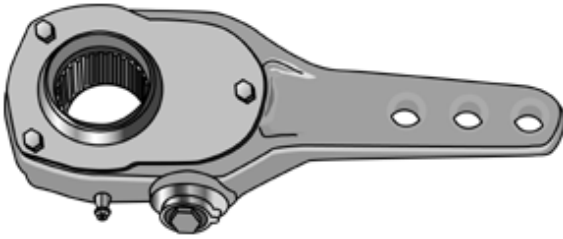
- Ductile iron.
- 20,000 Inch Lbs.
- Bushed arm holes.
- Permanently lubricated, yet are equipped with zerk fittings for optional lubrication.
- Positive lock mechanism is protected from rust and corrosion by plating and shaft sealing.
- Assemblies are plated to provide superior rust protection.
- BUSHING NUMBER – 10037.

### Notes:

- 1) Unit is to be mounted with adjusting nut away from push rod only.

SKU#	Product Description	Arm Length (inches)	Pin Size	Spline Diameter	Number of Teeth	Offset Direction (inches)
KN49000	Manual Brake Adjuster – Offset Arm	4.5, 5.5	.50	1.25	10	Right Hand .62
KN49010	Manual Brake Adjuster – Offset Arm	4.5, 5.5	.50	1.25	10	Left Hand .62
KN49020	Manual Brake Adjuster – Offset Arm	4.0, 5.0, 6.0	.50	1.25	10	Right Hand .62
KN49030	Manual Brake Adjuster – Offset Arm	4.0, 5.0, 6.0	.50	1.25	10	Left Hand .62
KN50000	Manual Brake Adjuster – Offset Arm	4.5, 5.5	.50	1.50	10	Right Hand .62
KN50010	Manual Brake Adjuster – Offset Arm	4.5, 5.5	.50	1.50	10	Left Hand .62
KN50060	Manual Brake Adjuster – Offset Arm	4.0, 5.0, 6.0	.50	1.50	10	Right Hand .62
KN50070	Manual Brake Adjuster – Offset Arm	4.0, 5.0, 6.0	.50	1.50	10	Left Hand .62
KN53000	Manual Brake Adjuster – Offset Arm	5.0, 6.0	.50	1.50	28	Right Hand .62
KN53010	Manual Brake Adjuster – Offset Arm	5.0, 6.0	.50	1.50	28	Left Hand .62
KN53020	Manual Brake Adjuster – Offset Arm	5.5	.50	1.50	28	Right Hand .62
KN53030	Manual Brake Adjuster – Offset Arm	5.5	.50	1.50	28	Left Hand .62
KN53040	Manual Brake Adjuster – Offset Arm	5.5	.625	1.50	28	Left Hand .62
KN53050	Manual Brake Adjuster – Offset Arm	5.5	.625	1.50	28	Right Hand .62
KN54000	Manual Brake Adjuster – Offset Arm	5.5	.50	1.25	24	Right Hand .62
KN54010	Manual Brake Adjuster – Offset Arm	5.5	.50	1.25	24	Left Hand .62

## Heavy Duty Straight Arm – Manual Brake Adjusters



### Features:

- Forged steel.
- 30,000 Inch Lbs.
- Bushed arm holes.
- Permanently lubricated, yet are equipped with zerk fittings for optional lubrication.
- Positive lock mechanism is protected from rust and corrosion by shaft sealing.

### Notes:

- 1) Unit is to be mounted with adjusting nut away from push rod only.

SKU#	Product Description	Arm Length (inches)	Pin Size	Spline Diameter	Number of Teeth	Application
CS44064	Manual Brake Adjuster – Heavy Duty Straight Arm	5.5, 6.5	.50	1.50	28	Meritor
CS44071	Manual Brake Adjuster – Heavy Duty Straight Arm	5.0, 6.0, 7.0	.50	1.50	28	Meritor
CS47008	Manual Brake Adjuster – Heavy Duty Straight Arm	5.0, 6.0, 7.0	.50	1.50	10	Standard
CS52070	Manual Brake Adjuster – Heavy Duty Straight Arm	5.5, 6.5	.50	1.50	10	Standard
CS52080	Manual Brake Adjuster – Heavy Duty Straight Arm	6.0	.50	1.60	37	Propar
CS52100	Manual Brake Adjuster – Heavy Duty Straight Arm	5.0, 6.0	.50	1.50	10	Standard

## CSI Automatic Brake Adjusters

### CSI – Trailer Application



#### Features:

- For Trailer Application.
- Includes collar lock clevis (except offsets).
- Long stroke compatible.
- Un-handed design.
- Double sealed for long life.
- Drilled for camshaft lubrication.
- Factory lubricated.
- Installation gauge included.

#### Notes:

- 1) Trailer applications use extended collar lock clevis.
- 2) CSI Automatic Slack Adjusters are long stroke chamber compatible.
- 3) 5/8" – 18 thread collar locks are standard on trailer CSI's.

SKU#	Product Description	Fleet Line Part #	Arm Length	Number Splines	Spline Diameter	Collar Lock Kit
CS56043	CSI Automatic Brake Adjuster	AS1143	5.5"	37	1.5	CQ36545
CS56044	CSI Automatic Brake Adjuster	AS1144	6.0"	37	1.5	CQ36545
CS56045	CSI Automatic Brake Adjuster	AS1145	6.5"	37	1.5	CQ36545
CS56046	CSI Automatic Brake Adjuster	AS1146	5.5"	10	1.5	CQ36545
CS56047	CSI Automatic Brake Adjuster	AS1147	6.0"	10	1.5	CQ36545
CS56048	CSI Automatic Brake Adjuster	AS1148	6.5"	10	1.5	CQ36545
CS56049	CSI Automatic Brake Adjuster	AS1149	5.5"	28	1.5	CQ36545
CS56050	CSI Automatic Brake Adjuster	AS1150	6.0"	28	1.5	CQ36545
CS56051	CSI Automatic Brake Adjuster	AS1151	6.5"	28	1.5	CQ36545

## CSI Automatic Brake Adjusters

### CSI Truck/Tractor Applications



#### Features:

- For Truck/Tractor Application
- Includes collar lock clevis (except offsets).
- Long stroke compatible.
- Un-handed design.
- Double sealed for long life.
- Drilled for camshaft lubrication.
- Factory lubricated.
- Installation gauge included.

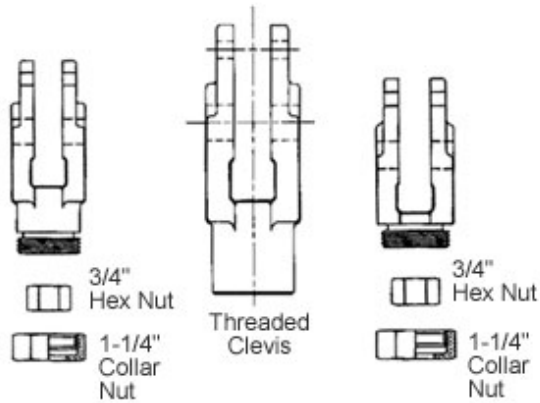
#### Notes:

- 1) Truck applications use standard collar lock clevis.
- 2) Some kits include both 5/8" and 1/2" lock collars to accommodate wider applications.
- 3) CSI Automatic Slack Adjusters are long stroke chamber compatible.
- 4) Offset Automatic Slack Adjusters use threaded clevis kits.

SKU#	Product Description	Fleet Line Part #	Arm Length	Number Splines	Spline Diameter	Collar Lock Kit	Collar Lock Thread	Offset
CS56031	CSI ABA	AS1131	5.0"	10	1.5	CQ36544	5/8"-18	-
CS56032	CSI ABA	AS1132	5.5"	10	1.5	CQ36593	5/8"-18 & 1/2"-20	-
CS56033	CSI ABA	AS1133	6.0"	10	1.5	CQ36544	5/8"-18	-
CS56034	CSI ABA	AS1134	6.5"	10	1.5	CQ36544	5/8"-18	-
CS56035	CSI ABA	AS1135	5.0"	10	1.25	CQ36593	5/8"-18 & 1/2"-20	-
CS56036	CSI ABA	AS1136	5.5"	10	1.25	CQ36593	5/8"-18 & 1/2"-20	-
CS56037	CSI ABA	AS1137	5.0"	24	1.25	CQ36593	5/8"-18 & 1/2"-20	-
CS56038	CSI ABA	AS1138	5.5"	24	1.25	CQ36593	5/8"-18 & 1/2"-20	-
CS56039	CSI ABA	AS1139	5.0"	28	1.5	CQ36544	5/8"-18	-
CS56040	CSI ABA	AS1140	5.5"	28	1.5	CQ36593	5/8"-18 & 1/2"-20	-
CS56041	CSI ABA	AS1141	6.0"	28	1.5	CQ36544	5/8"-18	-
CS56042	CSI ABA	AS1142	6.5"	28	1.5	CQ36544	5/8"-18	-
CS56052	CSI ABA	AS1152	5.5"	10	1.25	CQ36571	1/2"-20	5/8"
CS56053	CSI ABA	AS1153	5.5"	10	1.25	CQ36561	5/8"-18	5/8"
CS56054	CSI ABA	AS1154	5.5"	24	1.25	CQ36571	1/2"-20	5/8"
CS56055	CSI ABA	AS1155	5.5"	24	1.25	CQ36561	5/8"-18	5/8"
CS56056	CSI ABA	AS1156	5.5"	10	1.5	CQ36561	5/8"-18	5/8"
CS56057	CSI ABA	AS1157	5.5"	28	1.5	CQ36561	5/8"-18	5/8"

CSI Automatic Brake Adjusters

Clevis Kits – Threaded



Extended length  
Clevises should be  
used for trailer  
applications only.

Standard length  
Clevises can be  
used for either  
truck or trailer  
applications.

Notes:

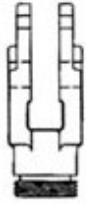
- 1) Standard length clevis for truck/tractor applications.
- 2) Extended length clevis for trailer applications.

SKU#	Product Description	Fleet Line Part #	Thread	Style	Notes
CQ36541	Threaded Clevis Kit for CSI Automatic Brake Adjuster	AS3000	5/8"-18	Standard	-
CQ36551	Threaded Clevis Kit for CSI Automatic Brake Adjuster	AS3001	1/2"-20	Standard	-
CQ36561	Threaded Clevis Kit for CSI Automatic Brake Adjuster	AS3003	5/8"-18	5/8" Offset	-
CQ36563	Threaded Clevis Kit for CSI Automatic Brake Adjuster	AS3012	1/2"-20	Standard	For 5/8" Clevis Pin
CQ36564	Threaded Clevis Kit for CSI Automatic Brake Adjuster	AS3011	5/8"-18	Standard	For 5/8" Clevis Pin
CQ36571	Threaded Clevis Kit for CSI Automatic Brake Adjuster	AS3002	1/2"-20	5/8" Offset	-
CQ36591	Threaded Clevis Kit for CSI Automatic Brake Adjuster	AS3013	5/8"-18	Extended	For Trailer applications

## CSI Automatic Brake Adjusters

### Clevis Kits – Collar Lock

COLLAR LOCK  
NUT AND CLEVIS

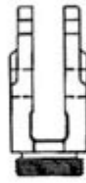


3/4" Hex Nut



1-1/4" Collar Nut

Extended length Clevises should be used for trailer applications only.



3/4" Hex Nut



1-1/4" Collar Nut

Standard length Clevises can be used for either truck or trailer applications.

**Notes:**

- 1) Standard length clevis for truck/tractor applications.
- 2) Extended length clevis for trailer applications.

SKU#	Product Description	Fleet Line Part #	Thread	Style
CQ36544	Collar Lock Clevis Kit for CSI Automatic Brake Adjuster	AS3016	5/8"-18	Standard
CQ36545	Collar Lock Clevis Kit for CSI Automatic Brake Adjuster	AS3018	5/8"-18	Extended
CQ36555	Collar Lock Clevis Kit for CSI Automatic Brake Adjuster	AS3017	1/2"-20	Standard
CQ36593	Collar Lock Clevis Kit for CSI Automatic Brake Adjuster	AS3019	5/8"-18 & 1/2"-20	Standard



CSI Automatic Brake Adjusters

Service Components for CSI



SKU#	Product Description	Fleet Line Part #	Notes
C365930	Heavy Duty Bushing for CSI Automatic Brake Adjuster	AS4015	Heavy Duty Clevis Bushing – Teflon coating
CQ19112	Clevis Pin Kit for CSI Automatic Brake Adjusters	AS4006	5/8" Pin Kit, 6 each of clevis and pivot pins with cotter keys
CQ19113	Clevis Pin Kit for CSI Automatic Brake Adjusters	AS4004	1/2" Pin Kit, 6 each of clevis and pivot pins with cotter keys
CQ36592	Service Kit for CSI Automatic Brake Adjuster	AS4001	Link Boot and Arm Bushing Kit – one per

## CSII Automatic Brake Adjusters

### CSII Standard Applications



Typical – CS52320  
Shown

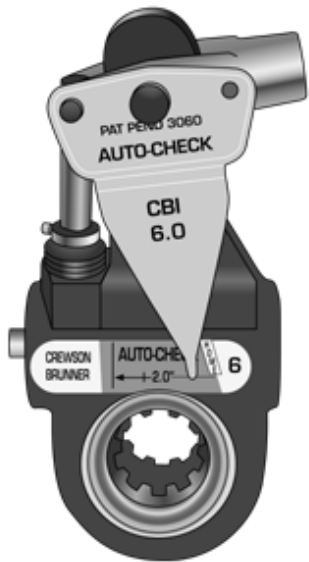
#### Features:

- Clevis kit included.
- Long stroke compatible.
- Un-handed design.
- Clearance sensing adjustment.
- Simple installation.
- Installation gauge included.

SKU#	Product Description	Crewson Part #	Arm Length	Number of Splines	Spline Diameter	Includes Clevis Kit	Cleves Thread	Offset
CS52315	CSII ABA	CB21103	5.0", 6.0"	10	1.5	CQ36543	5/8"-18	-
CS52316	CSII ABA	CB21102	5.5", 6.5"	10	1.5	CQ36543	5/8"-18	-
CS52317	CSII ABA	CB21104	6.0", 7.0"	10	1.5	CQ36543	5/8"-18	-
CS52320	CSII ABA	CB22102	5.5", 6.5"	28	1.5	CQ36543	5/8"-18	-
CS52321	CSII ABA	CB22103	5.0", 6.0"	28	1.5	CQ36543	5/8"-18	-
CS52322	CSII ABA	CB22104	6.0", 7.0"	28	1.5	CQ36543	5/8"-18	-
CS52325	CSII ABA	CB23102	5.5", 6.5"	37	1.5	CQ36543	5/8"-18	-
CS52326	CSII ABA	CB23106	6.0"	37	1.5	CQ36543	5/8"-18	-
CS52330	CSII ABA	CB24102	5.5", 6.5"	10	1.25	CQ36543	5/8"-18	-
CS52331	CSII ABA	CB24300	5.5"	10	1.25	CQ36562	5/8"-18	5/8"
CS52332	CSII ABA	CB24103	5.0", 6.0"	10	1.25	CQ36543	5/8"-18	-
CS52335	CSII ABA	CB25102	5.5", 6.5"	24	1.25	CQ36543	5/8"-18	-
CS52336	CSII ABA	CB25300	5.5"	24	1.25	CQ36562	5/8"-18	5/8"
CS52337	CSII ABA	CB25103	5.0", 6.0"	24	1.25	CQ36543	5/8"-18	-

## CSII Automatic Brake Adjusters

### CSII Auto-Check™ Standard Applications



#### Features:

- Positive visual stroke indicator.
- Un-handed design.
- Clearance sensing adjustment.
- Simple installation.
- Installation guage included.

SKU#	Product Description	Crewson Part #	Arm Length	Number of Splines	Spline Diameter	Includes Clevis Kit	Clevis Thread	Chamber Size
CS52346	CSII Auto-Check™ Automatic Brake Adjuster	CB41100	5.5"	10	1.5	CQ36543	5/8"-18	30
CS52347	CSII Auto-Check™ Automatic Brake Adjuster	CB42100	5.5"	28	1.5	CQ36543	5/8"-18	30
CS52348	CSII Auto-Check™ Automatic Brake Adjuster	CB41006	6.0"	10	1.5	CQ36543	5/8"-18	30
CS52349	CSII Auto-Check™ Automatic Brake Adjuster	CB42106	6.0"	28	1.5	CQ36543	5/8"-18	30
CS52350	CSII Auto-Check™ Automatic Brake Adjuster	CB43106	6.0"	37	1.5	CQ36543	5/8"-18	30
CS52357	CSII Auto-Check™ Automatic Brake Adjuster	CB43100	5.5"	37	1.5	CQ36543	5/8"-18	30
CS52358	CSII Auto-Check™ Automatic Brake Adjuster	CB34100	5.5"	10	1.25	CQ36543	5/8"-18	20/24
CS52359	CSII Auto-Check™ Automatic Brake Adjuster	CB35100	5.5"	24	1.25	CQ36543	5/8"-18	20/24
CS52360	CSII Auto-Check™ Automatic Brake Adjuster	CB34200	5.5"	10	1.25	CQ36552	1/2"-20	16
CS52361	CSII Auto-Check™ Automatic Brake Adjuster	CB35200	5.5"	24	1.25	CQ36552	1/2"-20	16

## CSII Automatic Brake Adjusters

### CSII – 12-1/4" Brake – Low Boy Application

#### Features:

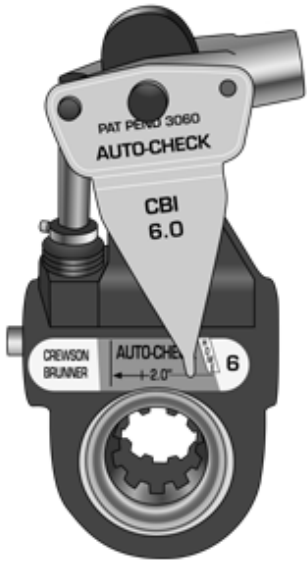


- Clevis kit included.
- Long stroke compatible.
- Un-handed design.
- Clearance sensing adjustment.
- Simple installation.
- Installation gauge included.

SKU#	Product Description	Crewson Part #	Arm Length	Number of Splines	Spline Diameter	Includes Clevis Kit	Clevis Thread	Offset
CS52342	CSII Automatic Brake Adjuster for 12-1/4" Brake – Low Boy Application	CB21153	5.0", 6.0"	10	1.5	CQ36543	5/8"-18	Curved
CS52343	CSII Automatic Brake Adjuster for 12-1/4" Brake – Low Boy Application	CB22153	5.0", 6.0"	28	1.5	CQ36543	5/8"-18	Curved
CS52351	CSII Automatic Brake Adjuster for 12-1/4" Brake – Low Boy Application	CB21152	5.5", 6.5"	10	1.5	CQ36543	5/8"-18	Curved
CS52352	CSII Automatic Brake Adjuster for 12-1/4" Brake – Low Boy Application	CB22152	5.5", 6.5"	28	1.5	CQ36543	5/8"-18	Curved

CSII Automatic Brake Adjusters

CSII Auto-Check™ Long Stroke Trailer Applications



Features:

- Positive visual stroke indicator.
- Un-handed design.
- Clearance sensing adjustment.
- Simple installation.
- Installation gauge included.

SKU#	Product Description	Crewson Part #	Arm Length	Number of Splines	Spline Diameter	Includes Clevis Kit	Clevis Thread	Chamber Size
CS52362	CSII Auto-Check™ Automatic Brake Adjuster for Long Stroke Trailer Application	CB71100	5.5"	10	1.5	CQ36543	5/8"-18	30
CS52363	CSII Auto-Check™ Automatic Brake Adjuster for Long Stroke Trailer Application	CB71106	6.0"	10	1.5	CQ36543	5/8"-18	30
CS52364	CSII Auto-Check™ Automatic Brake Adjuster for Long Stroke Trailer Application	CB72100	5.5"	28	1.5	CQ36543	5/8"-18	30
CS52365	CSII Auto-Check™ Automatic Brake Adjuster for Long Stroke Trailer Application	CB72106	6.0"	28	1.5	CQ36543	5/8"-18	30
CS52366	CSII Auto-Check™ Automatic Brake Adjuster for Long Stroke Trailer Application	CB73106	6.0"	37	1.5	CQ36543	5/8"-18	30

## CSII Automatic Brake Adjusters

### CSII – 30,000 lb. Severe Service Applications

#### Features:

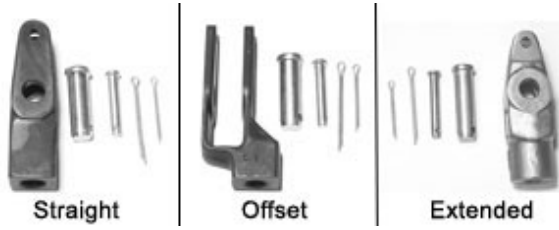


- Clevis kit included.
- Long stroke compatible.
- Un-handed design.
- Clearance sensing adjustment.
- Simple installation.
- Installation gauge included.

SKU#	Product Description	Crewson Part #	Arm Length	Number of Splines	Spline Diameter	Includes Clevis Kit	Clevis Thread	Offset
CS52344	CSII Automatic Brake Adjuster for 30,000 lb. Severe Service Application	CB21184	6.0", 7.0"	10	1.5	CQ36543	5/8"-18	-
CS52345	CSII Automatic Brake Adjuster for 30,000 lb. Severe Service Application	CB22184	6.0", 7.0"	28	1.5	CQ36543	5/8"-18	-
CS52353	CSII Automatic Brake Adjuster for 30,000 lb. Severe Service Application	CB21183	5.0", 6.0"	10	1.5	CQ36543	5/8"-18	-
CS52354	CSII Automatic Brake Adjuster for 30,000 lb. Severe Service Application	CB21182	5.5", 6.5"	10	1.5	CQ36543	5/8"-18	-
CS52355	CSII Automatic Brake Adjuster for 30,000 lb. Severe Service Application	CB22183	5.0", 6.0"	28	1.5	CQ36543	5/8"-18	-
CS52356	CSII Automatic Brake Adjuster for 30,000 lb. Severe Service Application	CB22182	5.5", 6.5"	28	1.5	CQ36543	5/8"-18	-

CSII Automatic Brake Adjusters

CSII Clevis Kits



Notes:

- 1) CSII Clevis Kits are used on all CSII Automatic Slack Adjusters.
- 2) Kits include clevis, 1/2" pin, 1/4" pin, and (2) cotter pins.

SKU#	Product Description	Crewson Part #	Style	Thread
CQ36543	Clevis Kit for CSII Auto-Check Automatic Brake Adjuster	8120	Straight	5/8"-18
CQ36546	Clevis Kit for CSII Auto-Check Automatic Brake Adjuster	8145	Extended	5/8"-18
CQ36552	Clevis Kit for CSII Auto-Check Automatic Brake Adjuster	8110	Straight	1/2"-20
CQ36562	Clevis Kit for CSII Auto-Check Automatic Brake Adjuster	8125	Offset - 5/8"	5/8"-18
CQ36572	Clevis Kit for CSII Auto-Check Automatic Brake Adjuster	8125	Offset - 5/8"	1/2"-20

**NOTES**

Lined area for writing notes, consisting of 25 horizontal lines.















This page left blank intentionally.

Haldex ([www.haldex.com](http://www.haldex.com)), headquartered in Stockholm, Sweden, is a provider of proprietary and innovative solutions to the global vehicle industry, with focus on products in vehicles that enhance safety, environment and vehicle dynamics.

Haldex is listed on the Stockholm Stock Exchange. Haldex has a yearly turnover of close to 5.6 billion SEK and employs 4,300 people.

Disclaimer: The products described within this literature, including without limitation, product features, specifications, designs, availability and pricing are subject to change by Haldex and its subsidiaries at any time without notice.

This document and other information from Haldex, its subsidiaries and authorized distributors provide product and/or system options for further investigation by users having technical expertise. It is important that you analyze all aspects of your application and review the information concerning the product or system, in the current literature or catalog. Due to the variety of operating conditions and applications for these products or systems, the user, through their own analysis and testing, is solely responsible for making the final selection of the products and systems and assuring that all performance, safety and warning requirements are met.

**Austria**  
Haldex Wien Ges.m.b.H.  
Vienna  
Tel.: +43 1 8 69 27 97  
Fax: +43 1 8 69 27 97 27  
E-Mail: [info.AT@haldex.com](mailto:info.AT@haldex.com)

**Belgium**  
Haldex N.V.  
Balegem  
Tel.: +32 9 363 90 00  
Fax: +32 9 363 90 09  
E-Mail: [info.BE@haldex.com](mailto:info.BE@haldex.com)

**Brazil**  
Haldex do Brasil Ind. e Com. Ltda.  
São Paulo  
Tel.: +55 11 213 55 000  
Fax: +55 11 503 49 515  
E-Mail: [info.BR@haldex.com](mailto:info.BR@haldex.com)

**Canada**  
Haldex Ltd.  
Cambridge, Ontario  
Tel.: +1 519 621 6722  
Fax: +1 519 621 3924  
E-Mail: [info.CA@haldex.com](mailto:info.CA@haldex.com)

**China**  
Haldex International Trading Co. Ltd.  
Shanghai  
Tel.: +86 21 5240 0338  
Fax: +86 21 5240 0177  
E-Mail: [info.CN@haldex.com](mailto:info.CN@haldex.com)

**France**  
Haldex Europe SAS  
Weyersheim (Strasbourg)  
Tel.: +33 3 88 68 22 00  
Fax: +33 3 88 68 22 09  
E-Mail: [info.EUR@haldex.com](mailto:info.EUR@haldex.com)

**Germany**  
Haldex Brake Products GmbH  
Heidelberg  
Tel.: +49 6 221 7030  
Fax: +49 6 221 703400  
E-Mail: [info.DE@haldex.com](mailto:info.DE@haldex.com)

**Hungary**  
Haldex Hungary Kft.  
Szentlőrincváta  
Tel.: +36 29 631 300  
Fax: +36 29 631 301  
E-Mail: [info.HU@haldex.com](mailto:info.HU@haldex.com)

**India**  
Haldex India Limited  
Nasik  
Tel.: +91 253 2380094  
Fax: +91 253 2380729

**Italy**  
Haldex Italia Srl.  
Biassono (Milan)  
Tel.: +39 039 47 17 02  
Fax: +39 039 27 54 309  
E-Mail: [info.IT@haldex.com](mailto:info.IT@haldex.com)

**Korea**  
Haldex Korea Ltd.  
Seoul  
Tel.: +82 2 2636 7545  
Fax: +82 2 2636 7548  
E-Mail: [info.HKR@haldex.com](mailto:info.HKR@haldex.com)

**Mexico**  
Haldex de Mexico S.A. De C.V.  
Monterrey  
Tel.: +52 81 8156 9500  
Fax: +52 81 8313 7090

**Poland**  
Haldex Sp. z.o.o.  
Praszka  
Tel.: +48 34 350 11 00  
Fax: +48 34 350 11 11  
E-Mail: [info.PL@haldex.com](mailto:info.PL@haldex.com)

**Russia**  
OOO "Haldex RUS"  
Moscow  
Tel.: +7 495 747 59 56  
Fax: +7 495 786 39 70  
E-Mail: [info.RU@haldex.com](mailto:info.RU@haldex.com)

**Spain**  
Haldex España S.A.  
Granollers  
Tel.: +34 93 84 07 239  
Fax: +34 93 84 91 218  
E-Mail: [info.ES@haldex.com](mailto:info.ES@haldex.com)

**Sweden**  
Haldex Brake Products AB  
Landskrona  
Tel.: +46 418 47 60 00  
Fax: +46 418 47 60 01  
E-Mail: [info.SE@haldex.com](mailto:info.SE@haldex.com)

**United Kingdom**  
Haldex Ltd.  
Newton Aycliffe  
Tel.: +44 1325 310 110  
Fax: +44 1325 311 834  
E-Mail: [info.GBAy@haldex.com](mailto:info.GBAy@haldex.com)

Haldex Brake Products Ltd.  
Redditch  
Tel.: +44 1527 499 499  
Fax: +44 1527 499 500  
E-Mail: [info.GBRe@haldex.com](mailto:info.GBRe@haldex.com)

**USA**  
Haldex Brake Products Corp.  
Kansas City  
Tel.: +1 816 891 2470  
Fax: +1 816 891 9447  
E-Mail: [info.US@haldex.com](mailto:info.US@haldex.com)

©2010, Haldex AB - This material may contain Haldex trademarks and third party trademarks, trade names, corporate logos, graphics and emblems which are the property of their respective companies. The contents of this document may not be copied, distributed, adapted or displayed for commercial purposes or otherwise without prior written consent from Haldex.

